

General Specifications

GS 01C25W01-01EN

EJXC80A, EJAC80E
 EJXC81A, EJAC81E
 EJXC50A, EJAC50E, EJXC40A
 Diaphragm Seal System



[Diaphragm Seal System]

Diaphragm Seal System can be used to measure liquid, gas, or steam flow as well as liquid level, density, and pressure. Diaphragm seals are used to prevent process medium from entering directly into the pressure-sensing assembly of the differential or Gauge pressure transmitter.

Application which is suitable for diaphragm seal system

For measuring the flow of ;

- high/low temperature fluids
- highly corrosive/high viscosity fluids
- the fluids which may cause clogging of impulse piping in the low temperature
- toxic fluids
- the fluids containing suspended solids which are deposited in the impulse piping and may cause clogging.

Venting/draining can be operated by installing the flushing connection ring,

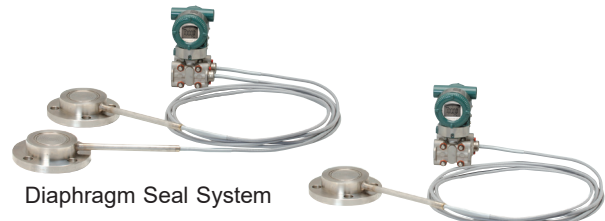
Refer to GS as of the table below for Fieldbus communication type and PROFIBUS PA communication type for the items marked with “◇.”

	Communication Type	GS No.
EJX	FOUNDATION Fieldbus	GS 01C25T02-01EN
	PROFIBUS PA	GS 01C25T04-01EN
EJA	FOUNDATION Fieldbus	GS 01C31T02-01EN
	PROFIBUS PA	GS 01C31T04-01EN

The codes of diaphragm seal system represent a seal system type.

CE and other standard certification are acquired for each transmitter section.

Diaphragm Seal System	Applicable Transmitter
EJXC80A EJAC80E	EJX110A, EJX430A EJA110E, EJA430E
EJXC81A EJAC81E	EJX310A, EJA310E
EJXC50A EJAC50E	EJX530A, EJA530E
EJXC40A	EJX530A



Diaphragm Seal System

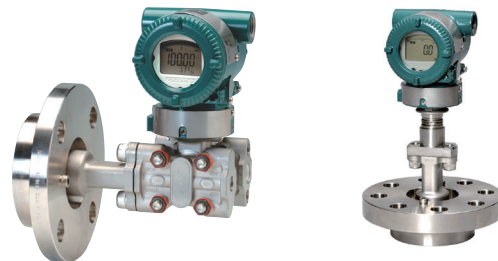
Absolute Pressure Diaphragm Seal System



Adapter connection type

Flange connection type

Diaphragm Seal System (Inner Diaphragm type)



Direct Mounted Diaphragm Seal System



Digital Remote Sensor Diaphragm Seal System



Hygienic Diaphragm Seal System

• Diaphragm Seal System

Diaphragm Seal System consists of gauge pressure or differential pressure transmitter with one or two diaphragm seal. Suitable for various kinds of pressure measurement.

Transmitter	Diaphragm Seal	Seal System Location	
		High Pressure Side	Low Pressure Side
Differential Pressure Transmitter	Flanged/Hygienic Diaphragm Seal	Remote Seal	Remote Seal
		Remote Seal	-
		-	Remote Seal
		Direct Mount	Remote Seal
Gauge Pressure Transmitter		Remote Seal	-
Differential Pressure Transmitter	Compensating Capillary Type*2	Direct Mount	Remote Seal with compensation capillary

∴ Not applicable

Applicable Products (Transmitter)*1

- Differential Pressure Transmitter
EJX110A: GS01C25B01-01EN
EJA110E: GS01C31B01-01EN
- Gauge Pressure Transmitter
EJX430A: GS01C25E01-01EN
EJA430E: GS01C31E01-01EN

Process connection size

- Flush Flanged Seal
1 1/2-inch (40 mm), 2-inch (50 mm), 3-inch (80 mm)
- Extended Flanged Seal
3-inch (80 mm), 4-inch (100 mm)
- Inner Diaphragm Seal, Adapter Connection Type
1/2-inch (15 mm), 3/4-inch (20 mm), 1-inch (25 mm)
- Inner Diaphragm Seal, Flange Connection Type
1/2-inch (15 mm), 3/4-inch (20 mm), 1-inch (25 mm)
- Flush Hygienic Seal (ISO Clamp Seal)
ISO51, ISO76.1, ISO101.6
- Extended Hygienic Seal
ISO76.1, ISO101.6

Features

- High performance, high accuracy and high reliability.
- High temperature and high vacuum use (0.013 kPa abs~)
- Fast response: 200 ms
- Segment signal characterizer

• Compensating Capillary Design

Compensation capillary type has a compensating capillary to help balance the volume and temperature of the fill fluids between high and low pressure side capillaries.

This solution reduces the influence of ambient temperature drift whether it is caused by swings day-to-night, season-to-season, or shady-to-sunny.



Differential Pressure Transmitter



Gauge Pressure Transmitter

Diaphragm Seal System



Flange connection type

Diaphragm Seal System (Inner Diaphragm type)



Diaphragm Seal System (Hygienic type)

*1: For the details of each product, please refer to the General Specifications of each model.
*2: Applicable for Flanged Diaphragm Seal.

● Absolute Pressure Diaphragm Seal System

Diaphragm Seal System consists of absolute pressure transmitter with a single diaphragm seal. Suitable for various kinds of pressure measurement.

Transmitter	Diaphragm Seal	Seal System Location	
		High Pressure Side	Low Pressure Side
Absolute Pressure Transmitter	Flanged Diaphragm Seal	●	-

●: Applicable, -: Not applicable

Applicable Products (Transmitter)*1

- Absolute Pressure Transmitter
EJX310A: GS01C25D01-01EN
EJA310E: GS01C31D01-01EN

Process connection size

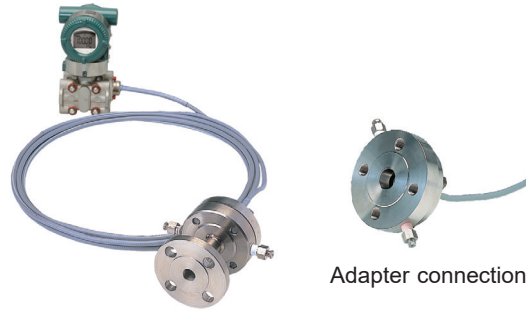
- Flush Flanged Seal
1 1/2-inch (40 mm), 2-inch (50 mm), 3-inch (80 mm)
- Extended Flanged Seal
3-inch (80 mm), 4-inch (100 mm)
- Inner Diaphragm Seal, Adapter Connection Type
1/2-inch (15 mm), 3/4-inch (20 mm), 1-inch (25 mm)
- Inner Diaphragm Seal, Flange Connection Type
1/2-inch (15 mm), 3/4-inch (20 mm), 1-inch (25 mm)

Features

- High performance, high accuracy and high reliability.
- High temperature and high vacuum use (0.013 kPa abs~)
- Fast response: 200 ms
- Segment signal characterizer



Absolute Pressure Diaphragm Seal System



Absolute Pressure Diaphragm Seal System (Inner Diaphragm type)

Adapter connection type

*1: For the details of each product, please refer to the General Specifications of each model.

• Direct Mounted Diaphragm Seal System

Direct Mounted Diaphragm Seal System consists of gauge pressure or differential pressure transmitter with a single direct mount diaphragm seal.

Suitable for various kinds of pressure measurement.

Transmitter	Diaphragm Seal	Seal System Location	
		High Pressure Side	Low Pressure Side
Differential Pressure Transmitter	Direct Mount Flanged Hygienic	•	-
Gauge Pressure Transmitter	Diaphragm Seal	•	-

•: Applicable, -: Not applicable

Applicable Products (Transmitter)*1

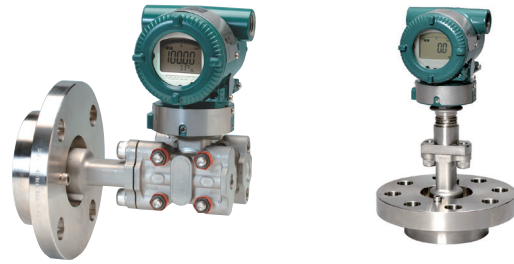
- Differential Pressure Transmitter
EJX110A: GS01C25B01-01EN
EJA110E: GS01C31B01-01EN
- Gauge Pressure Transmitter
EJX530A: GS01C25F01-01EN
EJA530E: GS01C31F01-01EN

Process connection size

- Flush Flanged Seal
1 1/2-inch (40 mm), 2-inch (50 mm), 3-inch (80 mm)
- Extended Flanged Seal
3-inch (80 mm), 4-inch (100 mm)
- Flush Hygienic Seal (ISO Clamp Seal)*2
ISO76.1, ISO101.6
- Extended Hygienic Seal*2
ISO76.1, ISO101.6
- Flush Hygienic Seal (ISO Clamp Seal)
ISO51*2, ISO76.1, ISO101.6
- Extended Hygienic Seal
ISO51*2, ISO76.1, ISO101.6

Features

- High performance, high accuracy and high reliability.
- Fast response: 120 ms



Direct Mount Flanged Diaphragm Seal System



Direct Mount Hygienic Diaphragm Seal System

*1: For the details of each product, please refer to the General Specifications of each model.

*2: Applicable for EJX110A and EJA110E.

• Digital Remote Sensored Diaphragm Seal System

Digital Remote Sensor (DRS) Transmitter connects two pressure sensors, high pressure side (master) and low pressure side (slave) in a remote location, with DRS dedicated communication cable to measure differential pressure.

Transmitter	Diaphragm Seal	Seal System Location	
		Master (High Pressure Side)	Slave (Low Pressure Side)
Digital Remote Sensor	Direct Mount	•	•
	Flanged/ Hygienic Diaphragm Seal	•	S
		S	•

•: Applicable, S: Screw Mount

Applicable Products (Transmitter)*1

- Digital Remote Sensor Transmitter
EJXC40A: GS 01C25W05-01EN

Process connection size

- Flush Flanged Seal
1 1/2-inch (40 mm), 2-inch (50 mm), 3-inch (80 mm)
- Extended Flanged Seal
3-inch (80 mm), 4-inch (100 mm)
- Flush Hygienic Seal (ISO Clamp Seal)
ISO76.1, ISO101.6
- Extended Hygienic Seal
ISO76.1, ISO101.6

Features

- High performance, high accuracy and high reliability
- Suitable for level measurement of a tall tank.
DRS cable length (maximum): 45 m
- Fast response: 250 ms
- Segment signal characterizer



Digital Remote Sensor
Flange Mounted Diaphragm Seal System

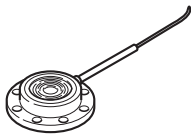
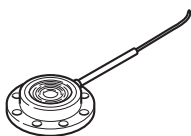
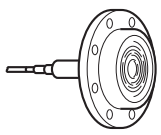
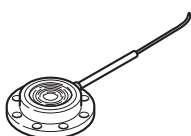
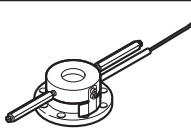
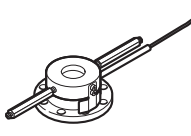
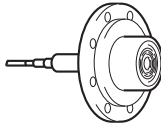
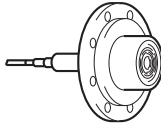


Digital Remote Sensor
Hygienic Mounted Diaphragm Seal System

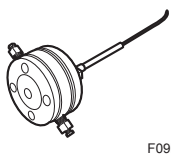
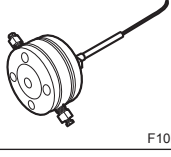
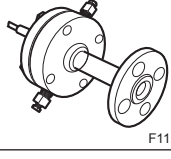
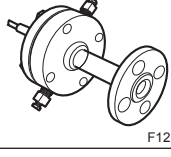
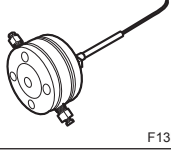
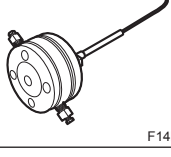
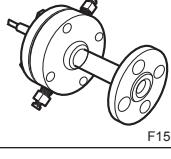
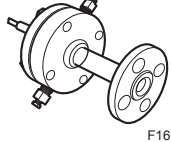
*1: For the details of each product, please refer to the General Specifications of each model.

Diaphragm Seal System

■ **Remote Mount Flanged Diaphragm Seal**

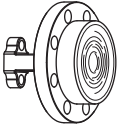
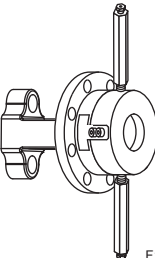
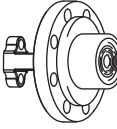
	Model	Process connection Style	Usage	Process connection size (Process flange size)	Capillary Connection Style
 F01E.ai	C80FW	Raised face (RF) Flush type	general use	3-inch (80 mm) 2-inch (50 mm)	Side of diaphragm seal unit
 F02E.ai	C80FW	Ring joint (RJ) Flush type	general use	3-inch (80 mm) 2-inch (50 mm)	Side of diaphragm seal unit
 F03E.ai	C80FW	Raised face (RF) Flush type	general use	3-inch (80 mm) 2-inch (50 mm)	Back of diaphragm seal unit
 F04E.ai	C80FW	Raised face (RF) Flush type	high vacuum use	3-inch (80 mm) 2-inch (50 mm)	Side of diaphragm seal unit
 F05E.ai	C80FW	Raised face (RF) Flush type	general use	1 1/2-inch (40 mm)	Side of diaphragm seal unit
 F06E.ai	C80FW	Raised face (RF) Flush type	high vacuum use	1 1/2-inch (40 mm)	Side of diaphragm seal unit
 F07E.ai	C80FE	Raised face (RF) Extended type	general use	4-inch (100 mm) 3-inch (80 mm)	Back of diaphragm seal unit
 F08E.ai	C80FE	Raised face (RF) Extended type	high vacuum use	4-inch (100 mm) 3-inch (80 mm)	Back of diaphragm seal unit

■ Remote Mount Flanged Diaphragm Seal (Inner Diaphragm type)*1

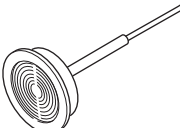
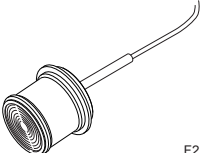
	Model	Process connection Style	Usage	Process connection size (Process flange size)	Capillary Connection Style
	C81FA C82FA	Raised face (RF) Adapter connection type	general use	1/2-inch (15 mm) 3/4-inch (20 mm) 1-inch (25 mm)	Back of diaphragm seal unit
	C81FA C82FA	Ring joint (RJ) Adapter connection type	general use	1/2-inch (15 mm) 3/4-inch (20 mm) 1-inch (25 mm)	Back of diaphragm seal unit
	C81FD C82FD	Raised face (RF) Flange connection type	general use	1/2-inch (15 mm) 3/4-inch (20 mm) 1-inch (25 mm)	Back of diaphragm seal unit
	C81FD C82FD	Ring joint (RJ) Flange connection type	general use	1/2-inch (15 mm) 3/4-inch (20 mm) 1-inch (25 mm)	Back of diaphragm seal unit
	C81FA C82FA	Raised face (RF) Adapter connection type	high vacuum use	1/2-inch (15 mm) 3/4-inch (20 mm) 1-inch (25 mm)	Back of diaphragm seal unit
	C81FA C82FA	Ring joint (RJ) Adapter connection type	high vacuum use	1/2-inch (15 mm) 3/4-inch (20 mm) 1-inch (25 mm)	Back of diaphragm seal unit
	C81FD C82FD	Raised face (RF) Flange connection type	high vacuum use	1/2-inch (15 mm) 3/4-inch (20 mm) 1-inch (25 mm)	Back of diaphragm seal unit
	C81FD C82FD	Ring joint (RJ) Flange connection type	high vacuum use	1/2-inch (15 mm) 3/4-inch (20 mm) 1-inch (25 mm)	Back of diaphragm seal unit

*1: C81FA, C81FD: Bundled capillary type (1 m separated)

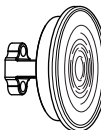
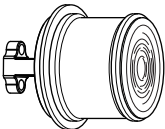
■ Direct Mount Flanged Diaphragm Seal

	Model	Process connection style	Process connection size (Process flange size)
 F17E.ai	C20FW	Raised face (RF) Flush type	3-inch (80 mm) 2-inch (50 mm)
 F18E.ai	C20FW	Raised face (RF) Flush type	1 1/2-inch (40 mm)
 F19E.ai	C20FE	Raised face (RF) Extended type	4-inch (100 mm) 3-inch (80 mm)

■ Remote Mount Hygienic Diaphragm Seal

	Model	Process connection style	Process connection size	Capillary Connection Style
 F20E.ai	C70SW	ISO clamp Flush type	ISO51 ISO76.1 ISO101.6	Back of diaphragm seal unit
 F21E.ai	C70SE	ISO clamp Extended type	ISO76.1 ISO101.6	Back of diaphragm seal unit

■ Direct Mount Hygienic Diaphragm Seal

	Model	Process connection style	Process connection size
 F22E.ai	C30SW	ISO clamp Flush type	ISO51 ISO76.1 ISO101.6
 F23E.ai	C30SE	ISO clamp Extended type	ISO51 ISO76.1 ISO101.6

□ SPAN AND RANGE LIMITS

● Flange Mounted Diaphragm Seal System

■ Remote Mounted Seal, Direct Mounted Seal with Remote Seal (Combination type), or Compensation Capillary type

- EJXC80A Differential pressure diaphragm seal system

Measurement Span/Range		kPa	inH ₂ O (/D1)	mbar (/D3)	mmH ₂ O (/D4)
M	Span	2 to 100	8 to 400	20 to 1000	200 to 10000
	Range	-100 to 100	-400 to 400	-1000 to 1000	-10000 to 10000
H	Span	10 to 500	40 to 2000	100 to 5000	0.1 to 5 kgf/cm ²
	Range	-500 to 500	-2000 to 2000	-5000 to 5000	-5 to 5 kgf/cm ²
V	Flush type	Span	0.28 to 14 MPa	41 to 2000 psi	2.8 to 140 bar
		Range	-0.5 to 14 MPa	-71 to 2000 psi	-5 to 140 bar
	Extended type	Span	0.28 to 7 MPa	41 to 1000 psi	2.8 to 70 bar
		Range	-0.5 to 7 MPa	-71 to 1000 psi	-5 to 70 bar

- EJAC80E Differential pressure diaphragm seal system

Measurement Span/Range		kPa	inH ₂ O (/D1)	mbar (/D3)	mmH ₂ O (/D4)
M	Span	2.5 to 100	10 to 400	25 to 1000	250 to 10000
	Range	-100 to 100	-400 to 400	-1000 to 1000	-10000 to 10000
H	Span	25 to 500	100 to 2000	250 to 5000	0.25 to 5 kgf/cm ²
	Range	-500 to 500	-2000 to 2000	-5000 to 5000	-5 to 5 kgf/cm ²
V	Flush type	Span	0.28 to 14 MPa	41 to 2000 psi	2.8 to 140 bar
		Range	-0.5 to 14 MPa	-71 to 2000 psi	-5 to 140 bar
	Extended type	Span	0.28 to 7 MPa	41 to 1000 psi	2.8 to 70 bar
		Range	-0.5 to 7 MPa	-71 to 1000 psi	-5 to 70 bar

- EJXC80A Gauge pressure diaphragm seal system

Measurement Span/Range		MPa	psi (/D1)	bar (/D3)	kgf/cm ² (/D4)
A	Span	0.035 to 3.5	5 to 500	0.35 to 35	0.35 to 35
	Range	-0.1 to 3.5	-14.5 to 500	-1 to 35	-1 to 35
B	Flush type	Span	0.16 to 16	23 to 2300	1.6 to 160
		Range	-0.1 to 16	-14.5 to 2300	-1 to 160
	Extended type	Span	0.16 to 7	23 to 1000	1.6 to 70
		Range	-0.1 to 7	-14.5 to 1000	-1 to 70

- EJAC80E Gauge pressure diaphragm seal system

Measurement Span/Range		MPa	psi (/D1)	bar (/D3)	kgf/cm ² (/D4)
A	Span	0.06 to 3.5	8.6 to 500	0.6 to 35	0.6 to 35
	Range	-0.1 to 3.5	-14.5 to 500	-1 to 35	-1 to 35
B	Flush type	Span	0.46 to 16	67 to 2300	4.6 to 160
		Range	-0.1 to 16	-14.5 to 2300	-1 to 160
	Extended type	Span	0.46 to 7	67 to 1000	4.6 to 70
		Range	-0.1 to 7	-14.5 to 1000	-1 to 70

• EJXC81A Absolute pressure diaphragm seal system

Measurement Span/Range		kPa abs	psi abs (D1)	mbar abs (D3)	mmHg abs (D4)	
M	Span	2.7 to 130	0.8 to 38 inHg abs	27 to 1300	20 to 970	
	Range	0 to 130	0 to 38 inHg abs	0 to 1300	0 to 970	
A	Span	0.035 to 3.5 MPa abs	5 to 500	0.35 to 35 bar abs	0.35 to 35 kgf/cm ² abs	
	Range	0 to 3.5 MPa abs	0 to 500	0 to 35 bar abs	0 to 35 kgf/cm ² abs	
B	Flush type	Span	0.16 to 16 MPa abs	23 to 2300	1.6 to 160 bar abs	1.6 to 160 kgf/cm ² abs
		Range	0 to 16 MPa abs	0 to 2300	0 to 160 bar abs	0 to 160 kgf/cm ² abs
	Extended type	Span	0.16 to 7 MPa abs	23 to 1000	1.6 to 70 bar abs	1.6 to 70 kgf/cm ² abs
		Range	0 to 7 MPa abs	0 to 1000	0 to 70 bar abs	0 to 70 kgf/cm ² abs

• EJAC81E Absolute pressure diaphragm seal system

Measurement Span/Range		kPa abs	psi abs (D1)	mbar abs (D3)	mmHg abs (D4)	
M	Span	3.4 to 130	1 to 38 inHg abs	34 to 1300	26 to 970	
	Range	0 to 130	0 to 38 inHg abs	0 to 1300	0 to 970	
A	Span	0.06 to 3.5 MPa abs	8.7 to 500	0.6 to 35 bar abs	0.6 to 35 kgf/cm ² abs	
	Range	0 to 3.5 MPa abs	0 to 500	0 to 35 bar abs	0 to 35 kgf/cm ² abs	
B	Flush type	Span	0.46 to 16 MPa abs	67 to 2300	4.6 to 160 bar abs	4.6 to 160 kgf/cm ² abs
		Range	0 to 16 MPa abs	0 to 2300	0 to 160 bar abs	0 to 160 kgf/cm ² abs
	Extended type	Span	0.46 to 7 MPa abs	67 to 1000	4.6 to 70 bar abs	4.6 to 70 kgf/cm ² abs
		Range	0 to 7 MPa abs	0 to 1000	0 to 70 bar abs	0 to 70 kgf/cm ² abs

■ Direct Mounted Seal

- EJXC80A Differential pressure diaphragm seal system

Measurement Span/Range		kPa	inH ₂ O (/D1)	mbar (/D3)	mmH ₂ O (/D4)
M	Span	1 to 100	4 to 400	10 to 1000	100 to 10000
	Range	-100 to 100	-400 to 400	-1000 to 1000	-10000 to 10000
H	Span	5 to 500	20 to 2000	50 to 5000	0.05 to 5 kgf/cm ²
	Range	-500 to 500	-2000 to 2000	-5000 to 5000	-5 to 5 kgf/cm ²
V	Flush type	Span	0.14 to 14 MPa	20 to 2000 psi	1.4 to 140 bar
		Range	-0.5 to 14 MPa	-71 to 2000 psi	-5 to 140 bar
	Extended type	Span	0.14 to 7 MPa	20 to 1000 psi	1.4 to 70 bar
		Range	-0.5 to 7 MPa	-71 to 1000 psi	-5 to 70 bar

- EJAC80E Differential pressure diaphragm seal system

Measurement Span/Range		kPa	inH ₂ O (/D1)	mbar (/D3)	mmH ₂ O (/D4)
M	Span	1 to 100	4 to 400	10 to 1000	100 to 10000
	Range	-100 to 100	-400 to 400	-1000 to 1000	-10000 to 10000
H	Span	5 to 500	20 to 2000	50 to 5000	0.05 to 5 kgf/cm ²
	Range	-500 to 500	-2000 to 2000	-5000 to 5000	-5 to 5 kgf/cm ²
V	Flush type	Span	0.14 to 14 MPa	20 to 2000 psi	1.4 to 140 bar
		Range	-0.5 to 14 MPa	-71 to 2000 psi	-5 to 140 bar
	Extended type	Span	0.14 to 7 MPa	20 to 1000 psi	1.4 to 70 bar
		Range	-0.5 to 7 MPa	-71 to 1000 psi	-5 to 70 bar

- EJXC50A Gauge pressure diaphragm seal system

Measurement Span/Range		MPa	psi (/D1)	bar (/D3)	kgf/cm ² (/D4)
A	Span	8 to 200 kPa	1.16 to 29	0.08 to 2	0.08 to 2
	Range	-100 to 200 kPa	-14.5 to 29	-1 to 2	-1 to 2
B	Span	0.04 to 2	5.8 to 290	0.4 to 20	0.4 to 20
	Range	-0.1 to 2	-14.5 to 290	-1 to 20	-1 to 20
C	Flush type	Span	0.2 to 10	29 to 1450	2 to 100
		Range	-0.1 to 10	-14.5 to 1450	-1 to 100
	Extended type	Span	0.2 to 7	29 to 1000	2 to 70
		Range	-0.1 to 7	-14.5 to 1000	-1 to 70

- EJAC50E Gauge pressure diaphragm seal system

Measurement Span/Range		MPa	psi (/D1)	bar (/D3)	kgf/cm ² (/D4)
A	Span	10 to 200 kPa	1.45 to 29	0.1 to 2	0.1 to 2
	Range	-100 to 200 kPa	-14.5 to 29	-1 to 2	-1 to 2
B	Span	0.1 to 2	14.5 to 290	1 to 20	1 to 20
	Range	-0.1 to 2	-14.5 to 290	-1 to 20	-1 to 20
C	Flush type	Span	0.5 to 10	72.5 to 1450	5 to 100
		Range	-0.1 to 10	-14.5 to 1450	-1 to 100
	Extended type	Span	0.5 to 7	72.5 to 1000	5 to 70
		Range	-0.1 to 7	-14.5 to 1000	-1 to 70

● Hygienic Diaphragm Seal System

■ Remote Mounted Seal, or Direct Mounted Seal with Remote Seal (Combination type)

- EJXC80A Differential pressure diaphragm seal system

Measurement Span/Range		kPa	inH ₂ O (/D1)	mbar (/D3)	mmH ₂ O (/D4)
M	Span	2 to 100	8 to 400	20 to 1000	200 to 10000
	Range	-100 to 100	-400 to 400	-1000 to 1000	-10000 to 10000
H	Span	10 to 500	40 to 2000	100 to 5000	0.1 to 5 kgf/cm ²
	Range	-500 to 500	-2000 to 2000	-5000 to 5000	-5 to 5 kgf/cm ²
V	Span	0.28 to 1 MPa	41 to 145 psi	2.8 to 10 bar	2.8 to 10 kgf/cm ²
	Range	-0.5 to 1 MPa	-71 to 145 psi	-5 to 10 bar	-5 to 10 kgf/cm ²

- EJAC80E Differential pressure diaphragm seal system

Measurement Span/Range		kPa	inH ₂ O (/D1)	mbar (/D3)	mmH ₂ O (/D4)
M	Span	2.5 to 100	10 to 400	25 to 1000	250 to 10000
	Range	-100 to 100	-400 to 400	-1000 to 1000	-10000 to 10000
H	Span	25 to 500	100 to 2000	250 to 5000	0.25 to 5 kgf/cm ²
	Range	-500 to 500	-2000 to 2000	-5000 to 5000	-5 to 5 kgf/cm ²
V	Span	0.28 to 1 MPa	41 to 145 psi	2.8 to 10 bar	2.8 to 10 kgf/cm ²
	Range	-0.5 to 1 MPa	-71 to 145 psi	-5 to 10 bar	-5 to 10 kgf/cm ²

- EJXC80A Gauge pressure diaphragm seal system

Measurement Span/Range		MPa	psi (/D1)	bar (/D3)	kgf/cm ² (/D4)
A	Span	0.035 to 1	5 to 145	0.35 to 10	0.35 to 10
	Range	-0.1 to 1	-14.5 to 145	-1 to 10	-1 to 10

- EJAC80E Gauge pressure diaphragm seal system

Measurement Span/Range		MPa	psi (/D1)	bar (/D3)	kgf/cm ² (/D4)
A	Span	0.06 to 1	8.6 to 145	0.6 to 10	0.6 to 10
	Range	-0.1 to 1	-14.5 to 145	-1 to 10	-1 to 10

■ Direct Mounted Seal

- EJXC80A Differential pressure diaphragm seal system

Measurement Span/Range		kPa	inH ₂ O (/D1)	mbar (/D3)	mmH ₂ O (/D4)
M	Span	1 to 100	4 to 400	10 to 1000	100 to 10000
	Range	-100 to 100	-400 to 400	-1000 to 1000	-10000 to 10000
H	Span	5 to 500	20 to 2000	50 to 5000	0.05 to 5 kgf/cm ²
	Range	-500 to 500	-2000 to 2000	-5000 to 5000	-5 to 5 kgf/cm ²
V	Span	0.14 to 1 MPa	20 to 145 psi	1.4 to 10 bar	1.4 to 10 kgf/cm ²
	Range	-0.5 to 1 MPa	-71 to 145 psi	-5 to 10 bar	-5 to 10 kgf/cm ²

- EJAC80E Differential pressure diaphragm seal system

Measurement Span/Range		kPa	inH ₂ O (/D1)	mbar (/D3)	mmH ₂ O (/D4)
M	Span	1 to 100	4 to 400	10 to 1000	100 to 10000
	Range	-100 to 100	-400 to 400	-1000 to 1000	-10000 to 10000
H	Span	5 to 500	20 to 2000	50 to 5000	0.05 to 5 kgf/cm ²
	Range	-500 to 500	-2000 to 2000	-5000 to 5000	-5 to 5 kgf/cm ²
V	Span	0.14 to 1 MPa	20 to 145 psi	1.4 to 10 bar	1.4 to 10 kgf/cm ²
	Range	-0.5 to 1 MPa	-71 to 145 psi	-5 to 10 bar	-5 to 10 kgf/cm ²

- EJXC50A Gauge pressure diaphragm seal system

Measurement Span/Range		MPa	psi (/D1)	bar (/D3)	kgf/cm ² (/D4)
A	Span	8 to 200 kPa	1.16 to 29	0.08 to 2	0.08 to 2
	Range	-100 to 200 kPa	-14.5 to 29	-1 to 2	-1 to 2
B	Span	0.04 to 1	5.8 to 145	0.4 to 10	0.4 to 10
	Range	-0.1 to 1	-14.5 to 145	-1 to 10	-1 to 10

- EJAC50E Gauge pressure diaphragm seal system

Measurement Span/Range		MPa	psi (/D1)	bar (/D3)	kgf/cm ² (/D4)
A	Span	10 to 200 kPa	1.45 to 29	0.1 to 2	0.1 to 2
	Range	-100 to 200 kPa	-14.5 to 29	-1 to 2	-1 to 2
B	Span	0.1 to 1	14.5 to 145	1 to 10	1 to 10
	Range	-0.1 to 1	-14.5 to 145	-1 to 10	-1 to 10

• Digital Remote Sensor Diaphragm Seal System

■ Flange Mounted

- EJXC40A Digital remote sensor diaphragm seal system

Measurement Span/Range		MPa	psi (/D1)	bar (/D3)	kgf/cm ² (/D4)	
A	Span	2 to 200 kPa	0.3 to 29	0.02 to 2	0.02 to 2	
	Range	-200 to 200 kPa	-29 to 29	-2 to 2	-2 to 2	
B	Span	0.01 to 2	1.5 to 290	0.1 to 20	0.1 to 20	
	Range	-2 to 2	-290 to 290	-20 to 20	-20 to 20	
C	Flush type	Span	0.05 to 10	7.3 to 1450	0.5 to 100	
		Range	-10 to 10	-1450 to 1450	-100 to 100	
	Extended type	Span	0.05 to 7	7.3 to 1000	0.5 to 70	0.5 to 70
		Range	-7 to 7	-1000 to 1000	-70 to 70	-70 to 70

■ Hygienic

- EJXC40A Digital remote sensor diaphragm seal system

Measurement Span/Range		MPa	psi (/D1)	bar (/D3)	kgf/cm ² (/D4)
A	Span	2 to 200 kPa	0.3 to 29	0.02 to 2	0.02 to 2
	Range	-200 to 200 kPa	-29 to 29	-2 to 2	-2 to 2
B	Span	0.01 to 1	1.5 to 145	0.1 to 10	0.1 to 10
	Range	-1 to 1	-145 to 145	-10 to 10	-10 to 10

Process temperature, Ambient temperature, and Working pressure

■ EJXC80A, EJAC80E Remote Mounted Seal, Direct Mounted Seal with Remote Seal (Combination type), or Compensation Capillary type Diaphragm Seal System

Table 1-1a. Flange Mounted

	Code	Process temperature*1	Ambient temperature*2	Working pressure	Specific gravity*3
Silicone oil (general use)	A	-10 to 315°C*4 (14 to 599°F)	-10 to 60°C (14 to 140°F)	2.7 kPa abs (0.38 psi abs) to flange rating pressure*9	1.07
Silicone oil (general use)	B	-40 to 210°C*4 (-40 to 410°F)	-30 to 60°C (-22 to 140°F)		0.94
Silicone oil (low temperature use)	F	-70 to 100°C (-94 to 212°F)	-30 to 60°C (-22 to 140°F)	100 kPa abs (atmospheric pressure) to flange pressure rating	0.88
Fluorinated oil (oil-prohibited use)	D	-20 to 120°C (-4 to 248°F)	-10 to 60°C (14 to 140°F)	51 kPa abs (7.4 psi abs) to flange rating pressure	1.90 to 1.92
Ethylene glycol (low temperature use)	E	-50 to 100°C (-58 to 212°F)	-40 to 60°C (-40 to 140°F)	100 kPa abs (atmospheric pressure) to flange pressure rating	1.09
Propylene glycol	P	-10 to 120°C (14 to 248°F)	-10 to 60°C (14 to 140°F)		1.04
Silicone oil*8 (high temp. and high vacuum use)	1	-10 to 250°C*4 (14 to 482°F)	-10 to 60°C*5 (14 to 140°F)	0.013 kPa abs (0.0019 psi abs) to flange rating pressure	1.07
Silicone oil*8 (high temp. and high vacuum use)	2	10 to 315°C*4 (50 to 599°F)	10 to 60°C*5 (50 to 140°F)		1.09
Silicone oil*8 (high vacuum use)	4	-10 to 100°C (14 to 212°F)	-10 to 60°C*5 (14 to 140°F)		1.07

Table 1-1b. Hygienic Mounted

	Code	Process temperature*1	Ambient temperature*2	Working pressure	Specific gravity*3
Silicone oil (general use)	B	-10 to 120°C*6 (14 to 248°F)	-10 to 60°C (14 to 140°F)	2.7 kPa abs (0.38 psi abs) to 1MPaG	0.94
Silicone oil (general use)	P	-10 to 120°C*7 (14 to 248°F)	-10 to 60°C (14 to 140°F)	100 kPa abs (atmospheric pressure) to 1MPaG	1.04

Note: The differential pressure transmitter should be installed at least 600 mm below the high pressure (HP) process connection. However, this value (600 mm) may be affected by ambient temperature, operating pressure, fill fluid or material of the wetted diaphragm.

Contact YOKOGAWA when the transmitter can not be installed at least 600 mm below the HP process connection

- *1: See figure 1a, 1b, 1c and 1d 'Working Pressure and Process Temperature.'
- *2: This ambient temperature is the transmitter ambient temperature.
- *3: Approximate values at a temperature of 25°C (77°F)
- *4: In case of diaphragm material code T (Tantalum), process temperature limit is up to 200°C (392°F).
- *5: The upper ambient temperature limit is 50°(122°F) in the following combinations.

Model		Process connection size code
C80FW	Flush type	2 (2-inch) or 8 (1 1/2-inch)
C80FE	Extension type	3 (3-inch)

- *6: Temperature limit of cleansing process is up to 150°C (302°F) / max. 60 minutes
- *7: Temperature limit of cleansing process is up to 150°C (302°F) / max. 30 minutes
- *8: Applicable for both side remote mount flanged differential diaphragm seal or gauge pressure diaphragm seal system.
- *9: In case of compensation capillary type, see figure 1j 'Working pressure and capillary length'.

■ EJXC80A, EJAC80E Direct Mounted Diaphragm Seal System

Table 1-2a. Flange Mounted

	Code	Process temperature*1*2	Ambient temperature*3*7	Working pressure	Specific gravity*4
Silicone oil (general use)	A	-10 to 315°C*5 (14 to 599°F)	-10 to 85°C (14 to 185°F)	2.7 kPa abs (0.38 psi abs) to flange rating pressure	1.07
Silicone oil (general use)	B	-40 to 210°C*5 (-40 to 410°F)	-40 to 85°C (-40 to 185°F)		0.94
Silicone oil (low temperature use)	F	-70 to 100°C (-94 to 212°F)	-40 to 85°C (-40 to 185°F)	100 kPa abs (atmospheric pressure) to flange pressure rating	0.88
Fluorinated oil (oil-prohibited use)	D	-20 to 120°C*6 (-4 to 248°F)	-20 to 80°C (-4 to 176°F)	51 kPa abs (7.4 psi abs) to flange rating pressure	1.90 to 1.92
Ethylene glycol (low temperature use)	E	-50 to 100°C (-58 to 212°F)	-40 to 85°C (-40 to 185°F)	100 kPa abs (atmospheric pressure) to flange pressure rating	1.09
Propylene glycol	P	-10 to 120°C (14 to 248°F)	-10 to 85°C (14 to 185°F)		1.04

Table 1-2b. Hygienic Mounted

	Code	Process temperature*1	Ambient temperature*2	Working pressure	Specific gravity*4
Silicone oil (general use)	B	-10 to 120°C*8 (14 to 248°F)	-10 to 60°C (14 to 140°F)	2.7 kPa abs (0.38 psi abs) to 1MPaG	0.94
Propylene glycol	P	-10 to 120°C*9 (14 to 248°F)	-10 to 60°C (14 to 140°F)	100 kPa abs (atmospheric pressure) to 1MPaG	1.04

- *1: See figure 1e and 1f 'Working Pressure and Process Temperature.'
- *2: Indicates high pressure side value. The process temperature limit for low pressure side is -40 to 120°C (-40 to 248°F).
- *3: This ambient temperature is the transmitter ambient temperature.
- *4: Approximate values at a temperature of 25°C (77°F)
- *5: In case of diaphragm material code T (Tantalum), process temperature limit is up to 200°C (392°F).
- *6: The process temperature limit for lower pressure side is -20 to 80°C (-4 to 176°F).
- *7: See figure 1g and 1h 'Ambient Temperature and Process Temperature.'
- *8: Temperature limit of cleansing process is up to 150°C (302°F) / max. 60 minutes
- *9: Temperature limit of cleansing process is up to 150°C (302°F) / max. 30 minutes

■ EJXC81A, EJAC81E Absolute Pressure Diaphragm Seal System

Table 2. Flange Mounted

	Code	Process temperature*1	Ambient temperature*2	Working pressure	Specific gravity*3
Silicone oil (general use)	A	-10 to 315°C*4 (14 to 599°F)	-10 to 60°C (14 to 140°F)	2.7 kPa abs (0.38 psi abs) to flange rating pressure	1.07
Silicone oil (general use)	B	-40 to 210°C*4 (-40 to 410°F)	-30 to 60°C (-22 to 140°F)		0.94
Silicone oil (high temp. and high vacuum use)	1	-10 to 250°C*4 (14 to 482°F)	-10 to 60°C*5 (14 to 140°F)	0.013 kPa abs (0.0019 psi abs) to flange rating pressure	1.07
Silicone oil (high temp. and high vacuum use)	2	10 to 315°C*4 (50 to 599°F)	10 to 60°C*5 (50 to 140°F)		1.09
Silicone oil (high vacuum use)	4	-10 to 100°C (14 to 212°F)	-10 to 60°C*5 (14 to 140°F)		1.07

Note: The differential pressure transmitter should be installed at least 600 mm below the high pressure (HP) process connection. However, this value (600 mm) may be affected by ambient temperature, operating pressure, fill fluid or material of the wetted diaphragm.
Contact YOKOGAWA when the transmitter can not be installed at least 600 mm below the HP process connection

- *1: See figure 1a, 1c and 1d 'Working Pressure and Process Temperature.'
- *2: This ambient temperature is the transmitter ambient temperature.
- *3: Approximate values at a temperature of 25°C (77°F)
- *4: In case of diaphragm material code T (Tantalum), process temperature limit is up to 200°C (392°F).
- *5: The upper ambient temperature limit is 50°(122°F) in the following combinations.

Model		Process connection size code
C80FW	Flush type	2 (2-inch) or 8 (1 1/2-inch)
C80FE	Extension type	3 (3-inch)

■ EJXC50A, EJAC50E Direct Mounted Diaphragm Seal System
EJXC40A Digital Remote Sensor Diaphragm Seal System

Table 3-1a. Flange Mounted

	Code	Process temperature*1	Ambient temperature*2*5	Working pressure	Specific gravity*3
Silicone oil (general use)	A	-10 to 315°C*4 (14 to 599°F)	-10 to 85°C (14 to 185°F)	2.7 kPa abs (0.38 psi abs) to flange rating pressure	1.07
Silicone oil (general use)	B	-40 to 210°C*4 (-40 to 410°F)	-40 to 85°C (-40 to 185°F)		0.94
Silicone oil (low temperature use)	F	-70 to 100°C (-94 to 212°F)	-40 to 85°C (-40 to 185°F)	100 kPa abs (atmospheric pressure) to flange pressure rating	0.88
Fluorinated oil (oil-prohibited use)	D	-20 to 120°C (-4 to 248°F)	-20 to 80°C (-4 to 176°F)	51 kPa abs (7.4 psi abs) to flange rating pressure	1.90 to 1.92
Ethylene glycol (low temperature use)	E	-50 to 100°C (-58 to 212°F)	-40 to 85°C (-40 to 185°F)	100 kPa abs (atmospheric pressure) to flange pressure rating	1.09
Propylene glycol	P	-10 to 120°C (14 to 248°F)	-10 to 85°C (14 to 185°F)		1.04

Table 3-2a. Hygienic Mounted

	Code	Process temperature*1	Ambient temperature*2	Working pressure	Specific gravity*3
Silicone oil (general use)	B	-10 to 120°C*6 (14 to 248°F)	-10 to 60°C (14 to 140°F)	2.7 kPa abs (0.38 psi abs) to 1MPaG	0.94
Propylene glycol	P	-10 to 120°C*7 (14 to 248°F)	-10 to 60°C (14 to 140°F)	100 kPa abs (atmospheric pressure) to 1MPaG	1.04

- *1: See figure 1e and 1f 'Working Pressure and Process Temperature.'
- *2: This ambient temperature is the transmitter ambient temperature.
- *3: Approximate values at a temperature of 25°C (77°F)
- *4: In case of diaphragm material code T (Tantalum), process temperature limit is up to 200°C (392°F).
- *5: See figure 1g and 1h 'Ambient Temperature and Process Temperature.'
- *6: Temperature limit of cleansing process is up to 150°C (302°F) / max. 60 minutes
- *7: Temperature limit of cleansing process is up to 150°C (302°F) / max. 30 minutes

■ for EJXC80A, EJAC80E, EJXC81A, EJAC81E
Remote Mount Flanged Diaphragm Seal System

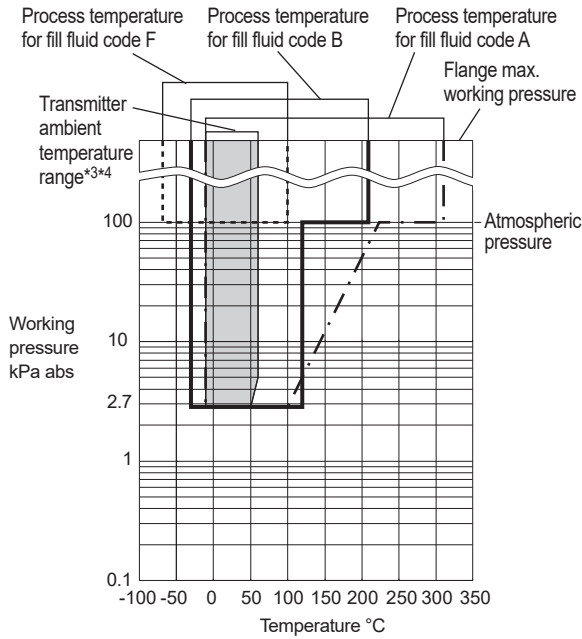


Figure 1a. Working Pressure and Process Temperature (Fill fluid: silicone oil for general and low temperature use)

F24E.ai

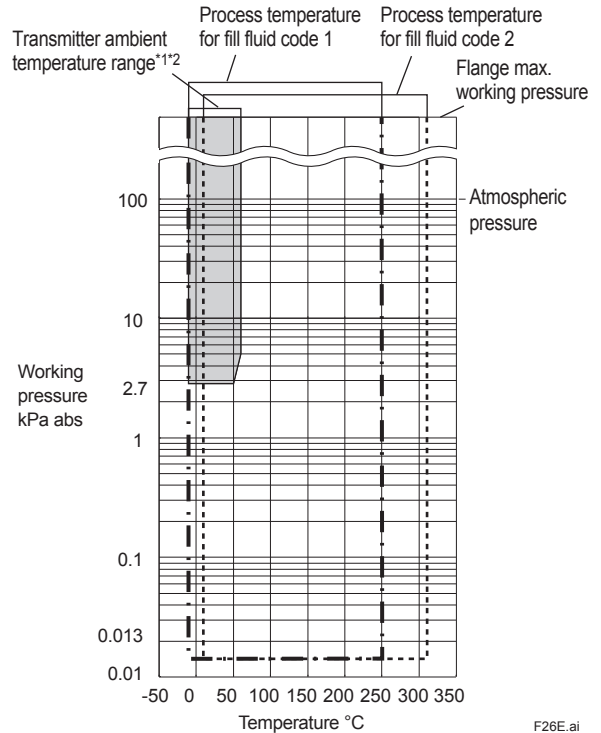


Figure 1c. Working Pressure and Process Temperature (Fill fluid: silicone oil for high temp. and high vacuum use)

F26E.ai

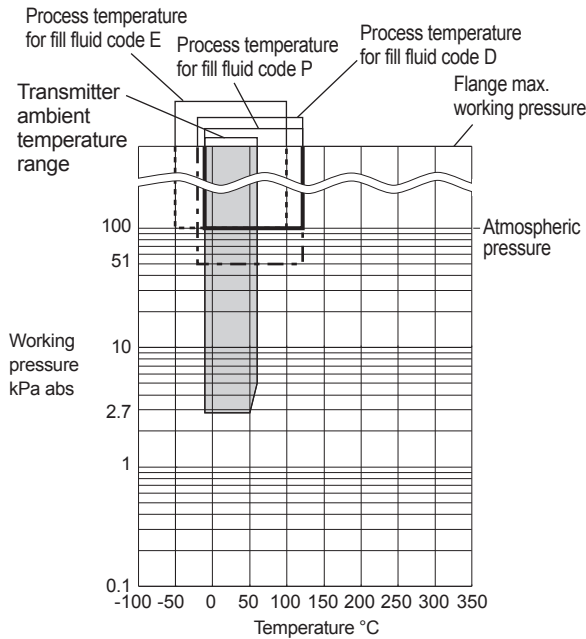


Figure 1b. Working Pressure and Process Temperature (Fill fluid: fluorinated oil for oil-prohibited use, ethylene glycol and propylene glycol)

F25E.ai

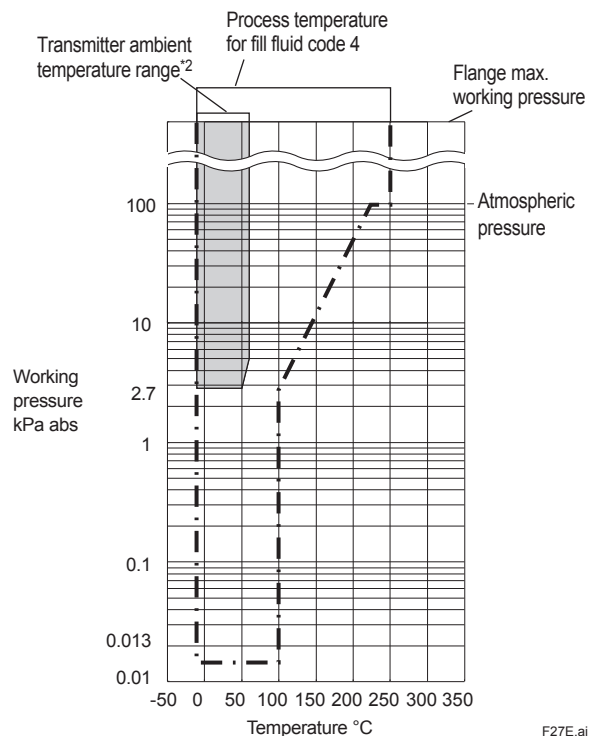


Figure 1d. Working Pressure and Process Temperature (Fill fluid: silicone oil for high vacuum use)

F27E.ai

- *1: For fill fluid code 2, the lower ambient temperature limit is +10°C for fill fluid code 2.
- *2: For C80FW whose process connection size is 2-inch or 1 1/2-inch) or C80FE whose process connection size is 3-inch, the upper ambient temperature limit is +50°C.
- *3: For C80FW with process connection size 2-inch or 1 1/2-inch or C80FE with process connection size 3-inch, when the diaphragm material code is "S" and capillary length is 11 m or longer, the lower ambient temperature limit is -10°C and upper ambient temperature limit is +50°C.
- *4: For C80FW with process connection size 2-inch or 1 1/2-inch or C80FE with process connection size 3-inch, and the diaphragm material code other than "S", the lower ambient temperature limit is -15°C and upper ambient temperature limit is +60°C.

■ for EJXC80A, EJAC80E Direct Mount Flanged Diaphragm Seal System
 EJXC50A, EJAC50E Direct Mount Flanged Diaphragm Seal System
 EJXC40A Digital Remote Sensor Flange Mounted Diaphragm Seal System

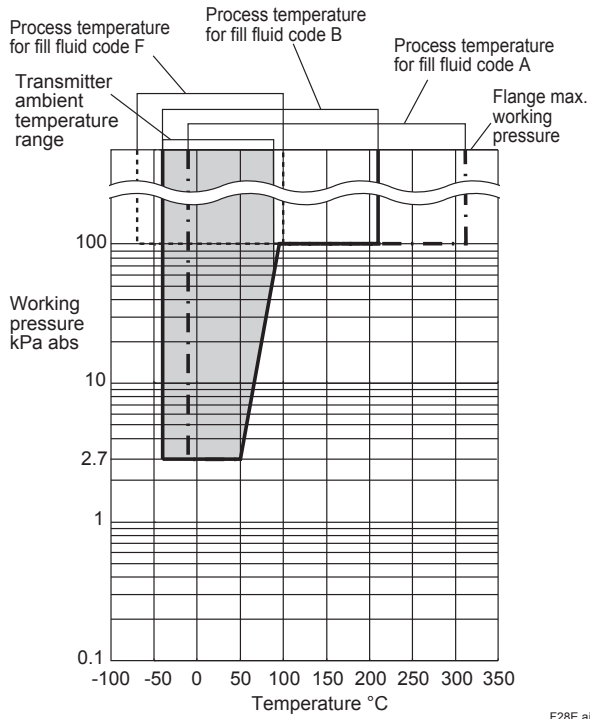


Figure 1e. Working Pressure and Process Temperature (Fill fluid: silicone oil for general and low temperature use)

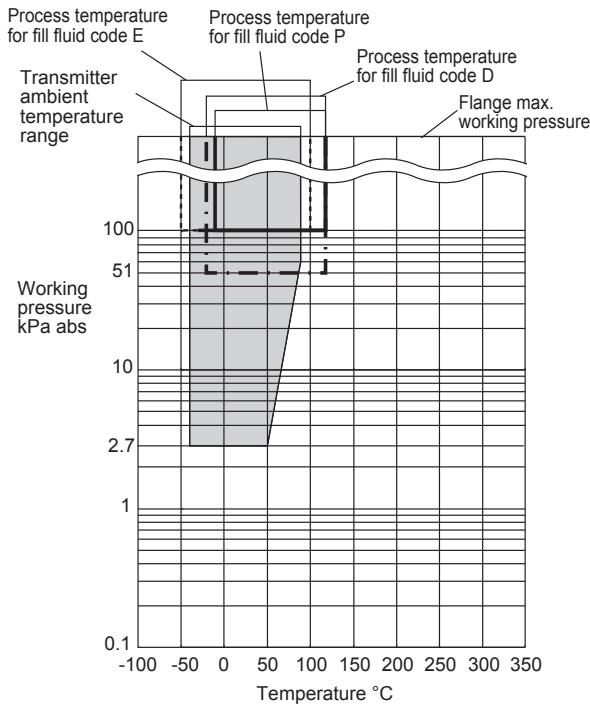


Figure 1f. Working Pressure and Process Temperature (Fill fluid: silicone oil for oil-prohibited use, ethylene glycol and propylene glycol)

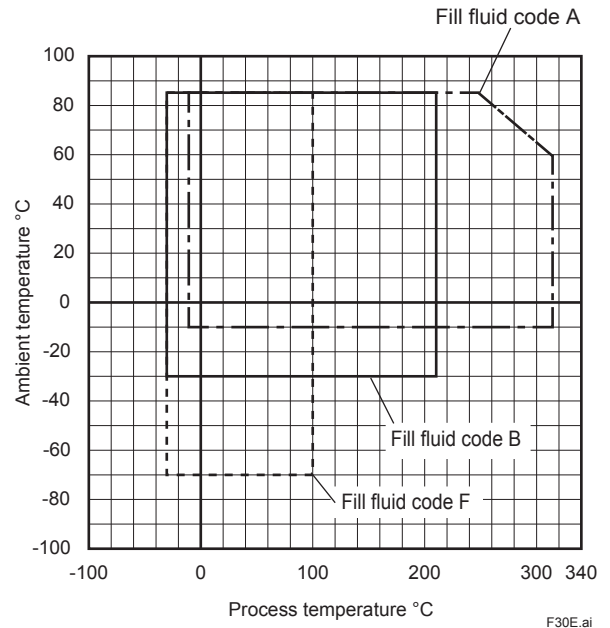


Figure 1g. Ambient Temperature and Process Temperature (Fill fluid: silicone oil for general and low temperature use)

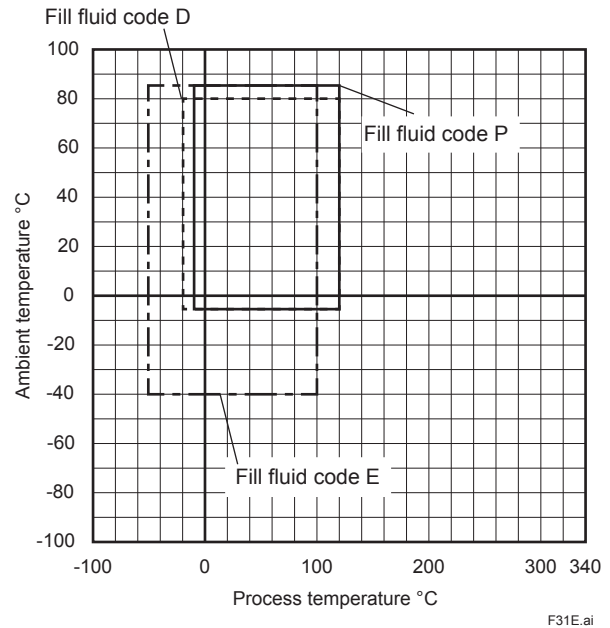


Figure 1h. Ambient Temperature and Process Temperature (Fill fluid: silicone oil for oil-prohibited use, ethylene glycol and propylene glycol)

- For EJXC80A, EJAC80E Remote Mount Hygienic Diaphragm Seal System
- EJXC80A, EJAC80E Direct Mount Hygienic Diaphragm Seal System
- EJXC50A, EJAC50E Direct Mount Hygienic Diaphragm Seal System
- EJXC40A Digital Remote Sensor Hygienic Diaphragm Seal System

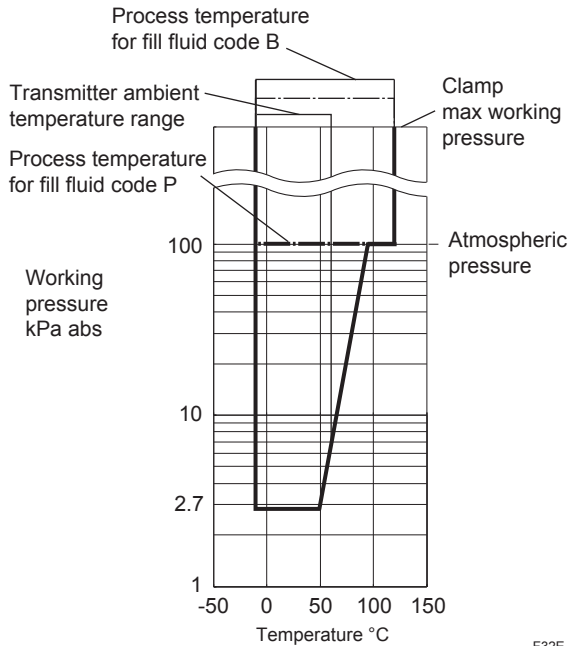


Figure 1i. Working Pressure and Process Temperature (Fill fluid: silicone oil)

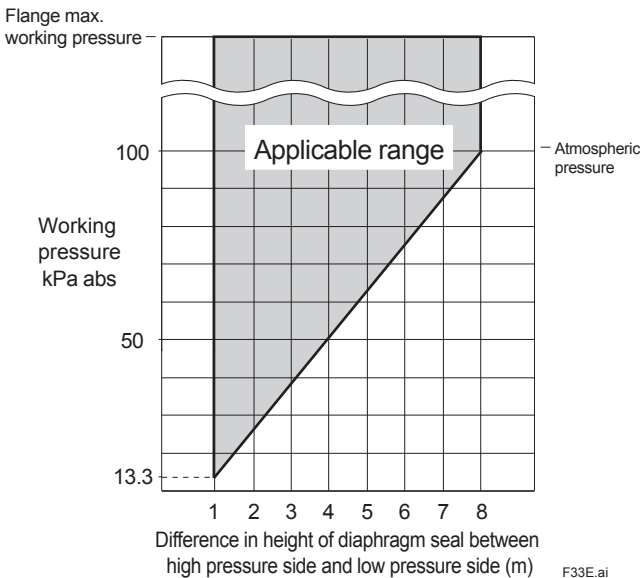


Figure 1j. Working pressure and capillary length

Note: Approximate value at normal temperature when using silicone oil (Code A or B).

Response Time (◇):

■ Remote Mounted Diaphragm Seal System*1

Capsule	Differential pressure transmitter	Gauge pressure transmitter	Absolute pressure transmitter
	M, H, V	A, B	M, A, B
Response time *1	200 ms (approximate value at normal temperature)		

■ Direct Mounted Diaphragm Seal System

Capsule	Differential pressure transmitter	Gauge pressure transmitter
	M, H, V	A, B, C
Response time *2	120 ms (approximate value at normal temperature)	

■ Digital Remote Sensored Diaphragm Seal System

Capsule	Gauge pressure transmitter
	A, B, C
Response time *3	250 ms (approximate value at normal temperature)

- *1: When fill fluid code B, and capillary length of 10 m.
- *2: When software damping is set to zero and including dead time of 45 ms (nominal)
- *3: When software damping is set to zero and including dead time of 90 ms (nominal)
Provided that the amplifier software damping and the static pressure damping of both master and slave sensors are set to 0.00s. Dead time is included.

FUNCTIONAL SPECIFICATIONS

Damping Time Constant (1st order)

Amplifier damping time constant is adjustable from 0.00 to 100.00 s by software and added to response time.

Note: For BRAIN protocol type for direct mounted diaphragm seal system, when amplifier software damping is set to less than 0.5 s, communication may occasionally be unavailable during the operation, especially while output changes dynamically. The default setting of damping ensures stable communication.

Capillary Fill Fluid Density Compensation (for Remote mounted diaphragm seal system, and Output signal code D, E and J)

Compensation of the zero shift by the ambient temperature effect on the capillary tube.

EU RoHS Directive
EN IEC 63000

□ NORMAL OPERATING CONDITION (Optional features or approval codes may affect limits.)

Ambient and Process Temperature Limits

See table 1, 2, 3 and following table

Model	Ambient temperature limits with LCD Display type
Remote mount	-30 to 60°C (-22 to 140°F)
Direct mount	-30 to 80°C (-22 to 176°F)

Working Pressure Limits

See table 1, 2, 3

For atmospheric pressure or below, see figure 1a to 1g

□ PHYSICAL SPECIFICATIONS

For the details of transmitter part, please refer to each transmitter's General Specifications sheet.

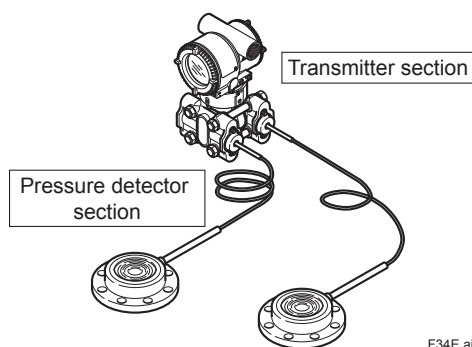
Wetted Parts Materials

Wetted Parts Materials

Diaphragm and other wetted parts;

Refer to "MODEL AND SUFFIX CODES."

■ EJXC80A, EJAC80E, EJXC81A, EJAC81E Remote Mount Diaphragm Seal System

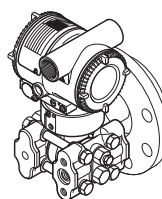


- Transmitter: 2.8 kg (6.2 lb)
Add 1.5 kg (3.3lb) for Amplifier housing code 2. (EJX110A, EJX430A, EJA110E, EJA430E without integral indicator and mounting bracket.)
- Flush type (C80FW): 6.7 kg (14.8 lb)
(3-inch ANSI Class150 flange, capillary length 5 m)
- Extended type (C80FE): 9.5 kg (21 lb)
(4-inch ANSI Class150 flange, extension length (X2)=100 mm, capillary length 5 m)
- Hygienic mounted flush type (C70SW): 2.2 kg (4.9 lb)
(ISO101.6 Clamp, capillary length 5 m)
- Hygienic mounted extended type (C70SE): 4.3 kg (9.5 lb)
(ISO101.6 Clamp, extension length (X2)=52 mm, capillary length 5 m)

Note) above indicated weight is for a high pressure side or a low pressure side

■ EJXC80A, EJAC80E Direct Mount Diaphragm Seal System

Transmitter section

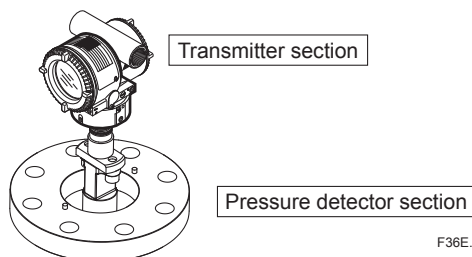


Pressure detector section

F35E.ai

- Transmitter: 2.8 kg (6.2 lb)
Add 1.5 kg (3.3lb) for Amplifier housing code 2. (EJX110A, EJX430A, EJA110E, EJA430E without integral indicator and mounting bracket.)
- Flush type (C20FW): 5.5 kg (12.2 lb)
(3-inch ANSI Class150 flange)
- Extended type (C80FE): 10 kg (22.1 lb)
(4-inch ANSI Class150 flange, extension length (X2)=100 mm)
- Hygienic flush type (C30SW): 1.3 kg (2.9 lb)
(ISO101.6 Clamp)
- Hygienic extended type (C30SE): 4.4 kg (9.7 lb)
(ISO101.6 Clamp, extension length (X2)=52 mm)

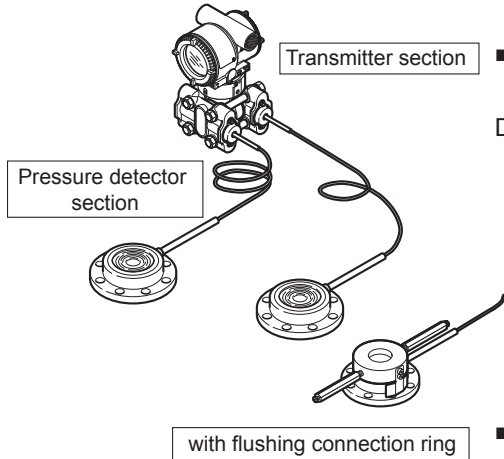
■ EJXC50A, EJAC50E Direct Mount Diaphragm Seal System EJXC40A Digital Remote Sensor Diaphragm Seal System



- Transmitter: 1.3 kg (2.9 lb)
(EJX530A, EJA530E without integral indicator and mounting bracket.)
 - Flange mounted flush type (C20FW): 5.5 kg (12.2 lb)
(3-inch ANSI Class150 flange)
 - Flange mounted extension type (C20FE): 10 kg (22.1 lb)
(4-inch ANSI Class150 flange, extension length (X2)=100 mm)
 - Hygienic flush type (C30SW): 1.3 kg (2.9 lb)
(ISO101.6 Clamp)
 - Hygienic extended type (C30SE): 4.4 kg (9.7 lb)
(ISO101.6 Clamp, extension length (X2)=52 mm)
- Note) In case of DRS, above indicated weight is for a high pressure side (master) or a low pressure side (slave) transmitter

□ MODEL AND SUFFIX CODES

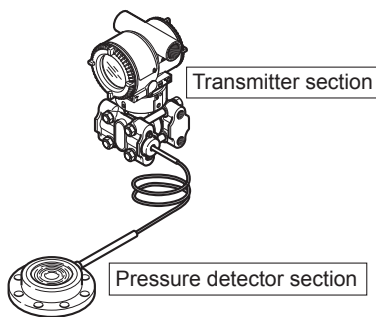
The model codes of Diaphragm Seal System consist of a diaphragm seal system, a transmitter part and a diaphragm seal (s) part. Various kinds of products can be realized by combining a transmitter with diaphragm seal (s). This sheet describes the codes of the diaphragm seal system and the diaphragm seal part. For the codes of the transmitter part, please refer to the General Specifications of each applicable transmitter.



■ Differential Pressure Diaphragm Seal System (High and low pressure remote seals)

Diaphragm Seal System

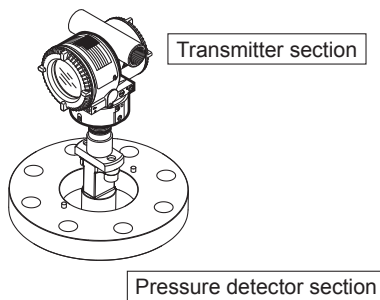
- Differential pressure transmitter
- Remote Mounted Diaphragm Seal (High pressure side)
- Remote Mounted Diaphragm Seal (Low pressure side)
- Flushing connection ring (High pressure side)*1
- Flushing connection ring (Low pressure side)*1



■ Differential Pressure Diaphragm Seal System (Single pressure remote seals)

Diaphragm Seal System

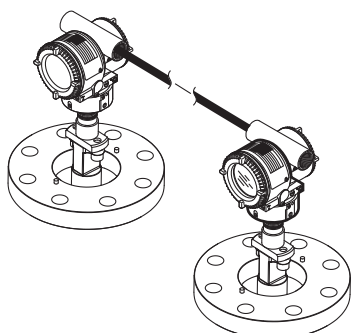
- Differential pressure transmitter
- Remote Mounted Diaphragm Seal (High pressure side)
- Flushing connection ring (High pressure side)*1



■ Gauge/Absolute Diaphragm Seal System

Diaphragm Seal System

- Gauge/Absolute pressure transmitter
- Remote Mounted Diaphragm Seal (High pressure side)
- Flushing connection ring (High pressure side)*1



■ Direct Mounted Diaphragm Seal System

Diaphragm Seal System

- Gauge pressure transmitter
- Direct Mounted Diaphragm Seal
- Flushing connection ring*1

■ Digital Remote Sensored Diaphragm Seal System

Diaphragm Seal System

- Gauge pressure transmitter (High pressure side (Master))
- Gauge pressure transmitter (Low pressure side (Slave))
- Direct Mounted Diaphragm Seal (High pressure side)
- Direct Mounted Diaphragm Seal (Low pressure side)
- Flushing connection ring (High pressure side)*1
- Flushing connection ring (Low pressure side)*1

*1: Specify when a flushing connection ring is required.

F37E.ai

Transmitter	Model	GS No.
Differential pressure transmitter	EJX110A	GS 01C25B01-01EN
	EJA110E	GS 01C31B01-01EN
Gauge pressure transmitter	EJX430A	GS 01C25E01-01EN
	EJA430E	GS 01C31E01-01EN
	EJX530A	GS 01C25F01-01EN
	EJA530E	GS 01C31F01-01EN
Absolute pressure transmitter	EJX310A	GS 01C25D01-01EN
	EJA310E	GS 01C31D01-01EN
Digital remote sensor	EJXC40A	GS 01C25W05-01EN

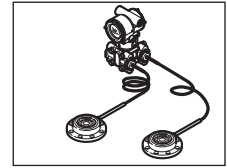
INDEX

- 1. Diaphragm Seal System..... 25**
 - 1.1 Diaphragm Seal System25
 - 1.2 Absolute Pressure Diaphragm Seal System.....26
 - 1.3 Direct Mounted Diaphragm Seal System26
 - 1.4 Digital Remote Sensored Diaphragm Seal System.....27
- 2. Remote Mount Flanged Diaphragm Seal 28**
 - 2.1 3-inch (80 mm) / 2-inch (50 mm) / Raised face (RF), Flush typeFor general use, Capillary Connection Style: Side of diaphragm seal unit.....28
 - 2.2 3-inch (80 mm) / 2-inch (50 mm) Raised face (RF), Flush type for general use, Capillary Connection Style: Back of diaphragm seal unit.....31
 - 2.3 3-inch (80 mm) / 2-inch (50 mm) Ring type joint (RJ), Flush type for general use, Capillary Connection Style: Side of diaphragm seal unit33
 - 2.4 3-inch (80 mm) / 2-inch (50 mm) Raised face (RF), Flush typeHigh vacuum / High temp. and high vacuum useCapillary Connection Style: Side of diaphragm seal unit35
 - 2.5 1 1/2-inch (40 mm) Raised face (RF), Flush type for general use, Capillary Connection Style: Side of diaphragm seal unit37
 - 2.6 1 1/2-inch (40 mm) Raised face (RF), Flush typeHigh vacuum / High temp. and high vacuum useCapillary Connection Style: Side of diaphragm seal unit.....39
- 3. Remote Mount Flanged Diaphragm Seal (Extended type) 41**
 - 3.1 4-inch (100 mm) / 3-inch (80 mm) Raised face (RF), Extended typefor general use, Capillary Connection Style: Back of diaphragm seal unit.....41
 - 3.2 4-inch (100 mm) / 3-inch (80 mm) Raised face (RF) Extended typeHigh vacuum / High temp. and high vacuum useCapillary Connection Style: Back of diaphragm seal unit44
- 4. Remote Mount Flanged Diaphragm Seal (Inner Diaphragm type)47**
 - 4.1 1/2-inch (15 mm) / 3/4-inch (20 mm) 1-inch (25 mm)Adapter connection type, Raised face (RF) for general use, Capillary Connection Style: Back of diaphragm seal unit.....47
 - 4.2 1/2-inch (15 mm) / 3/4-inch (20 mm) / 1-inch (25 mm) Adapter connection type, Ring type joint (RJ) for general use, Capillary Connection Style: Back of diaphragm seal unit50
 - 4.3 1/2-inch (15 mm) / 3/4-inch (20 mm) / 1-inch (25 mm) Flange connection type, Raised face (RF) for general use, Capillary Connection Style: Back of diaphragm seal unit.....52
 - 4.4 1/2-inch (15 mm) / 3/4-inch (20 mm) / 1-inch (25 mm)Flange connection type, Ring type joint (RJ) for general use, Capillary Connection Style: Back of diaphragm seal unit.....54
 - 4.5 1/2-inch (15 mm) / 3/4-inch (20 mm) / 1-inch (25 mm)Adapter connection type, Raised face (RF) High vacuum / High temp. and high vacuum use Capillary Connection Style: Back of diaphragm seal unit.....56
 - 4.6 1/2-inch (15 mm) / 3/4-inch (20 mm) / 1-inch (25 mm)Adapter connection type, Ring type joint (RJ) High vacuum / High temp. and high vacuum useCapillary Connection Style: Back of diaphragm seal unit.....58
 - 4.7 1/2-inch (15 mm) / 3/4-inch (20 mm) / 1-inch (25 mm)Flange connection type, Raised face (RF)High vacuum / High temp. and high vacuum useCapillary Connection Style: Back of diaphragm seal unit.....60

4.8	1/2-inch (15 mm) / 3/4-inch (20 mm) / 1-inch (25 mm) Flange connection type, Ring type joint (RJ) High vacuum / High temp. and high vacuum use Capillary Connection Style: Back of diaphragm seal unit.....	62
5.	Direct Mount Flanged Diaphragm Seal (Flush type).....	64
5.1	3-inch (80 mm) / 2-inch (50 mm) Raised face (RF).....	64
5.2	1 1/2-inch (40 mm) Raised face (RF).....	66
6.	Direct Mount Flanged Diaphragm Seal (Extended type).....	68
6.1	4-inch (100 mm) / 3-inch (80 mm) Raised face (RF).....	68
7.	Remote mount Hygienic Diaphragm Seal.....	71
7.1	ISO101.6 / ISO76.1 Clamp Flush type.....	71
7.2	ISO51 Clamp Flush type.....	73
7.3	ISO101.6 / ISO76.1 Clamp type.....	75
8.	Direct Mount Hygienic Diaphragm Seal.....	77
8.1	ISO101.6 / ISO76.1 Clamp Flush type.....	77
8.2	ISO51 Clamp Flush type.....	79
8.3	ISO101.6 / ISO76.1 Clamp Extended type.....	81
8.4	ISO51 Clamp Extended type.....	83
9.	Flushing Connection Ring.....	85
10.	Tank Spud.....	87
11.	OPTIONAL SPECIFICATIONS.....	88
12.	PERFORMANCE SPECIFICATIONS.....	93
12.1	EJXC80A Diaphragm Seal System.....	93
12.2	EJXC80A Direct Mounted Diaphragm Seal System.....	94
12.3	EJXC50A Performance specifications.....	94
12.4	EJXC40A Performance specifications.....	94
12.5	EJAC80E Diaphragm Seal System Performance specifications.....	95
12.6	EJAC80E Direct Mounted Diaphragm Seal System Performance specifications.....	96
12.7	EJAC50E Performance specifications.....	96
13.	Capillary length limitation.....	97
	Applicable Products.....	128

1. Diaphragm Seal System

1.1 Diaphragm Seal System



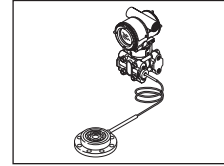
F38E.ai

Model	Suffix Codes	Description
EJXC80A EJAC80E	Diaphragm Seal System*2
Measurement type	-D..... -G.....	Differential Pressure Gauge Pressure
High Pressure Side Style	8..... 7..... 2..... 3..... 0.....	Remote mount flanged diaphragm seal Remote mount hygienic diaphragm seal Direct mount flanged diaphragm seal Direct mount hygienic diaphragm seal None
Low Pressure Side Style	8..... 7..... 0.....	Remote mount flanged diaphragm seal Remote mount hygienic diaphragm seal None
Measurement Span (capsule)	<input type="checkbox"/>	Select from measurement span (capsule) codes of the transmitter. (Differential pressure: M, H, or V Gauge pressure: A or B)
Process Connection High-side	1..... 2..... 3..... 4..... W..... E..... A..... D..... N.....	With Rc1/4 female process connector With Rc1/2 female process connector With 1/4NPT female process connector With 1/2NPT female process connector With Flush type seal With Extended type seal With inner diaphragm seal (adapter connection) With inner diaphragm seal (flange connection) None
Wetted parts High-side		
High-side Process connector	C.....	Process connector material (ASTM CF-8M*1)
High-side Diaphragm seal	<input type="checkbox"/>	Select from diaphragm material codes of diaphragm seal. (Diaphragm material codes: S, V, H, J, T, U, M, or K)
without process connector, and Diaphragm seal	N.....	None
Process Connection Low-side	1..... 2..... 3..... 4..... W..... E..... A..... D..... N.....	With Rc1/4 female process connector With Rc1/2 female process connector With 1/4NPT female process connector With 1/2NPT female process connector With Flush type seal With Extended type seal With inner diaphragm seal (adapter connection) With inner diaphragm seal (flange connection) None
Wetted parts Low-side		
Low-side Process connector	C.....	Process connector material (ASTM CF-8M*1)
Low-side Diaphragm seal	<input type="checkbox"/>	Select from diaphragm material codes of diaphragm seal. (Diaphragm material codes: S, V, H, J, T, U, M, or K)
without process connector, and Diaphragm seal	N.....	None * In case of Gauge pressure transmitter, It must be selected (Low-side: open to atmosphere)
Fill fluid	<input type="checkbox"/>	Refer to table 1
Accessory High-side	-J..... -G..... -C..... -1..... -N.....	Bolts: ASTM-B7 carbon steel for Process connector Bolts: 316L SST for Process connector Bolts: ASTM grade660 SST for Process connector With C10FR Flushing Connection Ring None
Accessory Low-side	J..... G..... C..... 1..... N.....	Bolts: ASTM-B7 carbon steel for Process connector Bolts: 316L SST for Process connector Bolts: ASTM grade660 SST for Process connector With C10FR Flushing Connection Ring None

*1: Cast version of 316 SST. Equivalent to SCS14A.

*2: See subsection "Applicable Products" .

1.2 Absolute Pressure Diaphragm Seal System

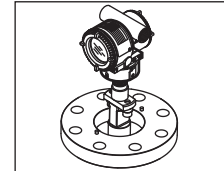


F39E.ai

Model	Suffix Codes	Description
EJXC81A EJAC81E	Absolute pressure diaphragm seal system*1
Measurement type	-A	Absolute Pressure
Style	8	Remote seal flanged diaphragm seal
-----	0	None
Measurement Span (capsule)	<input type="checkbox"/>	Select from measurement span (capsule) codes of the transmitter. (M, A or B)
Process Connection	W E A D	With Flush type seal With Extended type seal With inner diaphragm seal (adapter connection) With inner diaphragm seal (flange connection)
Wetted parts	<input type="checkbox"/>	Select from diaphragm material codes of diaphragm seal. (Diaphragm material codes: S, H, or T)
-----	N	None
-----	N	None
Fill fluid	<input type="checkbox"/>	Refer to Table 2
Accessory	-1 -N	With C10FR flushing connection ring None
-----	N	None

*1: See subsection "Applicable Products" .

1.3 Direct Mounted Diaphragm Seal System

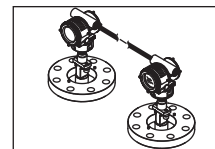


F40E.ai

Model	Suffix Codes	Description
EJXC50A EJAC50E	Direct mounted diaphragm seal system*1
Measurement type	-G	Gauge Pressure
Style	5 6	Direct mount flanged diaphragm seal Direct mount hygienic diaphragm seal
-----	0	None
Measurement Span (capsule)	<input type="checkbox"/>	Select from measurement span (capsule) codes of the transmitter. (A, B or C)
Process Connection	W E	With Flush type seal With Extended type seal
Wetted parts	<input type="checkbox"/>	Select from diaphragm material codes of diaphragm seal. (Diaphragm material codes: S, V, H, J, T, U, M, or K)
-----	N	None
-----	N	None
Fill fluid	<input type="checkbox"/>	Refer to Table 3
Accessory	-1 -N	With C10FR flushing connection ring None
-----	N	None

*1: See subsection "Applicable Products" .

1.4 Digital Remote Sensored Diaphragm Seal System



F41E.ai

Model	Suffix Codes	Description
EJXC40A	Digital remote sensed diaphragm seal system*4
Measurement type	-D	Differential Pressure
Master Style (High pressure side)	5	Direct mount flanged diaphragm seal
	6	Direct mount Hygienic diaphragm seal
	S	Screw mount*1
Slave Style (Low pressure side)	5	Direct mount flanged diaphragm seal
	6	Direct mount Hygienic diaphragm seal
	S	Screw mount*1
Digital Remote Sensor	R	Digital Remote Sensor
Process Connection for Master	W	With Flush type flanged seal
	E	With Extended type flanged seal
	T	With Screw mounted
Wetted parts for Master		
Master (High-side) Diaphragm seal	<input type="checkbox"/>	Select from diaphragm material codes of diaphragm seal. (Diaphragm material codes: S, V, H, J, T, U, M, or K)
Master (High-side) Screw mounted	<input type="checkbox"/>	Select from GS 01C25W05-01EN (EJXC40A) (Wetted parts material codes: L, or A)
Process Connection for Slave	W	With Flush type flanged seal
	E	With Extended type flanged seal
	T	With Screw mounted
Wetted parts for Slave		
Slave (Low-side) Diaphragm seal	<input type="checkbox"/>	Select from diaphragm material codes of diaphragm seal. (Diaphragm material codes: S, V, H, J, T, U, M, or K)
Slave (Low-side) Screw mounted	<input type="checkbox"/>	Select from GS 01C25W05-01EN (EJXC40A) (Wetted parts material codes: L, or A)
Fill Fluid*2	<input type="checkbox"/>	Refer to table 3
Accessory for Master	-1	With C10FR flushing connection ring
	-N	None
Accessory for Slave	1	With C10FR flushing connection ring
	N	None

*1: Applicable when screw mount is specified with either master or slave.

*2: It must be selected fill fluid from diaphragm seal. When selecting screw mounted either master or slave, limits of temperature is following table. and refer to GS 01C25W05-01EN (EJXC40A) for detail specifications.

	Process temperature	Ambient temperature
Silicone	-40 to 120°C (-40 to 248°F)	-40 to 85°C (-40 to 185°F)*3
Fluorinated oil (optional)	-40 to 120°C (-40 to 248°F)	-20 to 80°C (-4 to 176°F)

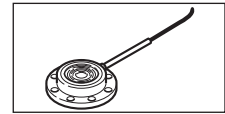
*3: -30 to 80°C (-22 to 176°F) with LCD display

*4: See subsection "Applicable Products" .

Option code /EC□(DRS cable) always must be specified.

2. Remote Mount Flanged Diaphragm Seal

2.1 3-inch (80 mm) / 2-inch (50 mm) / Raised face (RF), Flush type For general use, Capillary Connection Style: Side of diaphragm seal unit



F42E.ai

Model	Suffix Codes	Description
C80FW	Remote Mount Flanged Diaphragm Seal (Flush type)
Seal system location	-H -L	for high pressure side for low pressure side
Seal fill fluid	<input type="checkbox"/>	Refer to table 2b.
Transmitter connection type	-S -C	for general use for compensating capillary type*11
Capillary length*2	1 2 3 4 5	1 m 6 6 m B 11 m 2 m 7 7 m C 12 m 3 m 8 8 m D 13 m 4 m 9 9 m E 14 m 5 m A 10 m F 15 m
Capillary inside diameter	2 1	Capillary I.D. 2.03 mm Capillary I.D. 1.3 mm*12
Capillary Style		[Usage] [Sheath style]
	S V W	for general use with PVC sheath without PVC sheath with PVC sheath red-color
	R T	for process operating temperature correction*3 with PVC sheath with PVC sheath red-color
Capillary Tube Connection	S T	for general use With corrosion protection
Process Connection size*4	-3 -2	3-inch (80 mm) 2-inch (50 mm)
Sealing Face	F	Raised face (RF)
Gasket contact surface	1 2	Serration (ANSI B16.5) (for ANSI flange with sealing face material S only) Flat (no serration)
Diaphragm material	S H T U	316L SST M Monel Hastelloy C-276*8 K Nickel Tantalum*11 V 316L SST Titanium (Thickness: 0.0055 inch (0.14 mm)) J Hastelloy C-276*8*9 (Thickness: 0.006 inch (0.15 mm))
Sealing face material	S H T U	316L SST M Monel Hastelloy C-276*8 K Nickel Tantalum Titanium
Diaphragm diameter	9 6	Diaphragm O.D: 3.54-inch (90 mm)*9 Diaphragm O.D: 2.4-inch (61 mm)
Diaphragm option	A P N	Gold-plated diaphragm*6 With platinum plate*7 None
-----	N	Always N
Capillary connection	A	Side of diaphragm seal unit
Flange size*4	-3 -2	3-inch (80 mm) 2-inch (50 mm)
Flange standards	J A P D	JIS ANSI JPI DIN

Flange pressure rating	1	class150	A.....	10K	H.....	PN10/16
	2	class300	B.....	20K	K.....	PN25/40
	4	class600	C.....	30K	L.....	PN64
	5	class900 *9	D.....	40K		
	6	class1500 *9	E.....	63K		
Flange type	S.....	for general use				
Flange material	A.....	JIS S25C	C.....	316 SST*5		
	B.....	304 SST*10	S.....	316L SST*5		
Extended outside diameter	-0	None				
Extended length	0	None				
-----	N.....	Always N				

Table 2a. Diaphragm material and Sealing face material

Wetted parts material*1	[Diaphragm material]	[Sealing face material]
SS.....	[S] 316L SST	[S] 316L SST
HH	[H] Hastelloy C-276*8#	[H] Hastelloy C-276*8#
TT	[T] Tantalum	[T] Tantalum
UU	[U] Titanium	[U] Titanium
MM	[M] Monel	[M] Monel
KK	[K] Nickel	[K] Nickel
VS.....	[V] 316L (Thickness: 0.0055 inch (0.14 mm))	[S] 316L SST
JH.....	[J] Hastelloy C-276*8# (Thickness: 0.006 inch (0.15 mm))	[H] Hastelloy C-276*8#

- *1: Users must consider the characteristics of selected wetted parts material and the influence of process fluids. The use of inappropriate materials can result in the leakage of corrosive process fluids and cause injury to personnel and/or damage to plant facilities. It is also possible that the diaphragm itself can be damaged and that material from the broken diaphragm and the fill fluid can contaminate the user's process fluids.
Be very careful with highly corrosive process fluids such as hydrochloric acid, sulfuric acid, hydrogen sulfide, sodium hypochlorite, and high temperature steam (150°C [302°F] or above). Contact Yokogawa for detailed information of the wetted parts material.
- *2: Refer to section 12 for limitation of capillary length.
- *3: Applicable for option code /R (Operating temperature correction). In case of "without PVC sheath", must be select code V.
- *4: Not applicable to different size between Process connection size and Flange size.
- *5: Forged version of the material may be used.
- *6: Applicable for Diaphragm material code S and H.
Inside of isolating diaphragms (fill fluid side) are gold plated, effective for hydrogen permeation.
- *7: Applicable for Diaphragm material code T.
- *8: Hastelloy C-276 or N10276.
- *9: Not applicable for process connection size code 2.
- *10: Not applicable for flange standards code D.
- *11: In case of compensation capillary type, must be select code "-C" on seal system location code "-L".
- *12: Applicable for process connection size code "2" with capillary length more than 6 m.

The #marks indicate the construction materials conform to NACE material recommendations per MR0175 (2003). Please refer to latest standards for details.

Table 2b. Process temperature and Ambient temperature

	Code	Process temperature*13	Ambient temperature*16	Working pressure	Specific gravity*17
Silicone oil*14 (general use)	A	-10 to 315°C (14 to 599°F)	-10 to 60°C (14 to 140°F)	2.7 kPa abs (0.38 psi abs) to flange rating pressure	1.07
Silicone oil*14 (general use)	B	-30 to 210°C (-22 to 410°F)	-30 to 60°C (-22 to 140°F)		0.94
Silicone oil (low temperature use)	F	-70 to 100°C (-94 to 212°F)	-30 to 60°C (-22 to 140°F)	100 kPa abs (atmospheric pressure) to flange pressure rating	0.88
Fluorinated oil*15 (oil-prohibited use)	D	-20 to 120°C (-4 to 248°F)	-10 to 60°C (14 to 140°F)	51 kPa abs (7.4 psi abs) to flange rating pressure	1.90 to 1.92
Ethylene glycol (low temperature use)	E	-50 to 100°C (-58 to 212°F)	-40 to 60°C (-40 to 140°F)	100 kPa abs (atmospheric pressure) to flange pressure rating	1.09
Propylene glycol	P	-10 to 120°C (14 to 248°F)	-10 to 60°C (14 to 140°F)		1.04

Note: The differential pressure transmitter should be installed at least 600 mm below the high pressure (HP) process connection. However, this value (600 mm) may be affected by ambient temperature, operating pressure, fill fluid or material of the wetted diaphragm.
Contact YOKOGAWA when the transmitter can not be installed at least 600 mm below the HP process connection.

*13: See figure 1a, 1b 'Working Pressure and Process Temperature.'

*14: In case of diaphragm material code T (Tantalum), process temperature limit is up to 200°C (392°F).

*15: Even in case where fill fluid code D (fluorinated oil) is selected, if degrease cleansing treatment or both degrease cleansing and dehydrating treatment for the wetted parts is required, specify option code K31 or K35.

*16: This ambient temperature is the transmitter ambient temperature.

*17: Approximate values at a temperature of 25°C (77°F)

Table 2c. Diaphragm material and Sealing face material

Wetted parts material*1		[Diaphragm material]	[Sealing face material]
SS.....		[S] 316L SST	[S] 316L SST

- *1: Users must consider the characteristics of selected wetted parts material and the influence of process fluids. The use of inappropriate materials can result in the leakage of corrosive process fluids and cause injury to personnel and/or damage to plant facilities. It is also possible that the diaphragm itself can be damaged and that material from the broken diaphragm and the fill fluid can contaminate the user's process fluids.
Be very careful with highly corrosive process fluids such as hydrochloric acid, sulfuric acid, hydrogen sulfide, sodium hypochlorite, and high temperature steam (150°C [302°F] or above). Contact Yokogawa for detailed information of the wetted parts material.
- *2: Refer to section 12 for limitation of capillary length.
- *3: Applicable for optional code /R (Operating temperature correction). In case of "without PVC sheath", must be select code V.
- *4: Not applicable to different size between Process connection size and Flange size.
- *5: Forged version of the material may be used.
- *6: Inside of isolating diaphragms (fill fluid side) are gold plated, effective for hydrogen permeation.

Table 2d. Process temperature and Ambient temperature

	Code	Process temperature*7	Ambient temperature*9	Working pressure	Specific gravity*10
Silicone oil (general use)	A	-10 to 315°C (14 to 599°F)	-10 to 60°C (14 to 140°F)	2.7 kPa abs (0.38 psi abs) to flange rating pressure	1.07
Silicone oil (general use)	B	-30 to 210°C (-22 to 410°F)	-30 to 60°C (-22 to 140°F)		0.94
Silicone oil (low temperature use)	F	-70 to 100°C (-94 to 212°F)	-30 to 60°C (-22 to 140°F)	100 kPa abs (atmospheric pressure) to flange pressure rating	0.88
Fluorinated oil*8 (oil-prohibited use)	D	-20 to 120°C (-4 to 248°F)	-10 to 60°C (14 to 140°F)	51 kPa abs (7.4 psi abs) to flange rating pressure	1.90 to 1.92
Ethylene glycol (low temperature use)	E	-50 to 100°C (-58 to 212°F)	-40 to 60°C (-40 to 140°F)	100 kPa abs (atmospheric pressure) to flange pressure rating	1.09
Propylene glycol	P	-10 to 120°C (14 to 248°F)	-10 to 60°C (14 to 140°F)		1.04

Note: The differential pressure transmitter should be installed at least 600 mm below the high pressure (HP) process connection. However, this value (600 mm) may be affected by ambient temperature, operating pressure, fill fluid or material of the wetted diaphragm.
Contact YOKOGAWA when the transmitter can not be installed at least 600 mm below the HP process connection.

- *7: See figure 1a, 1b 'Working Pressure and Process Temperature.'
- *8: Even in case where fill fluid code D (fluorinated oil) is selected, if degrease cleansing treatment or both degrease cleansing and dehydrating treatment for the wetted parts is required, specify option code K31 or K35.
- *9: This ambient temperature is the transmitter ambient temperature.
- *10: Approximate values at a temperature of 25°C (77°F)
- *11: Not applicable for process connection size code 2
- *12: In case of compensation capillary type, must be select code "-C" on seal system location code "-L".
- *13: Applicable for process connection size code "2" with capillary length more than 6 m.

Table 2e. Diaphragm material and Sealing face material

Wetted parts material*1	[Diaphragm material]		[Sealing face material]
	SS.....	[S] 316L SST	[S] 316L SST
	HS	[H] Hastelloy C-276*7#	[S] 316L SST

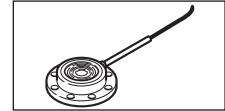
- *1: Users must consider the characteristics of selected wetted parts material and the influence of process fluids. The use of inappropriate materials can result in the leakage of corrosive process fluids and cause injury to personnel and/or damage to plant facilities. It is also possible that the diaphragm itself can be damaged and that material from the broken diaphragm and the fill fluid can contaminate the user's process fluids.
Be very careful with highly corrosive process fluids such as hydrochloric acid, sulfuric acid, hydrogen sulfide, sodium hypochlorite, and high temperature steam (150°C [302°F] or above). Contact Yokogawa for detailed information of the wetted parts material.
 - *2: Refer to section 12 for limitation of capillary length.
 - *3: Applicable for option code /R (Operating temperature correction). In case of "without PVC sheath", must be select code V.
 - *4: Not applicable to different size between Process connection size and Flange size.
 - *5: Forged version of the material may be used.
 - *6: Inside of isolating diaphragms (fill fluid side) are gold plated, effective for hydrogen permeation.
 - *7: Hastelloy C-276 or N10276.
- The # marks indicate the construction materials conform to NACE material recommendations per MR0175 (2003). Please refer to latest standards for details.

Table 2f. Process temperature and Ambient temperature

	Code	Process temperature*8	Ambient temperature*10	Working pressure	Specific gravity*11
Silicone oil (general use)	A	-10 to 315°C (14 to 599°F)	-10 to 60°C (14 to 140°F)	2.7 kPa abs (0.38 psi abs) to flange rating pressure	1.07
Silicone oil (general use)	B	-30 to 210°C (-22 to 410°F)	-30 to 60°C (-22 to 140°F)		0.94
Silicone oil (low temperature use)	F	-70 to 100°C (-94 to 212°F)	-30 to 60°C (-22 to 140°F)	100 kPa abs (atmospheric pressure) to flange pressure rating	0.88
Fluorinated oil*9 (oil-prohibited use)	D	-20 to 120°C (-4 to 248°F)	-10 to 60°C (14 to 140°F)	51 kPa abs (7.4 psi abs) to flange rating pressure	1.90 to 1.92
Ethylene glycol (low temperature use)	E	-50 to 100°C (-58 to 212°F)	-40 to 60°C (-40 to 140°F)	100 kPa abs (atmospheric pressure) to flange pressure rating	1.09
Propylene glycol	P	-10 to 120°C (14 to 248°F)	-10 to 60°C (14 to 140°F)		1.04

- Note: The differential pressure transmitter should be installed at least 600 mm below the high pressure (HP) process connection. However, this value (600 mm) may be affected by ambient temperature, operating pressure, fill fluid or material of the wetted diaphragm.
Contact YOKOGAWA when the transmitter can not be installed at least 600 mm below the HP process connection.
- *8: See figure 1a, 1b 'Working Pressure and Process Temperature.'
 - *9: Even in case where fill fluid code D (fluorinated oil) is selected, if degrease cleansing treatment or both degrease cleansing and dehydrating treatment for the wetted parts is required, specify option code K31 or K35.
 - *10: This ambient temperature is the transmitter ambient temperature.
 - *11: Approximate values at a temperature of 25°C (77°F)
 - *12: Not applicable for process connection size code 2
 - *13: Applicable for process connection size code "2" with capillary length more than 6 m

**2.4 3-inch (80 mm) / 2-inch (50 mm) Raised face (RF), Flush type
High vacuum / High temp. and high vacuum use
Capillary Connection Style: Side of diaphragm seal unit**



F45E.ai

Model	Suffix Codes	Description
C80FW	Remote Mount Flanged Diaphragm Seal (Flush type)
Seal system location	-H..... -L.....	for high pressure side for low pressure side
Seal fill fluid	<input type="checkbox"/>	Refer to table 2h.
Transmitter connection type	-S.....	for general use
Capillary length*2	1 2 3 4 5	1 m 6 6 m 2 m 7 7 m 3 m 8 8 m 4 m 9 9 m 5 m A 10 m
Capillary inside diameter	2	Capillary I.D. 2.03 mm
Capillary Style		[Usage] [Sheath style]
	1 2 3	High temp. and high vacuum use with PVC sheath without PVC sheath with PVC sheath red-color
	5 6 7	High vacuum use with PVC sheath without PVC sheath with PVC sheath red-color
Capillary Tube Connection	S..... T.....	for general use With corrosion protection
Process Connection size*3	-3..... -2.....	3-inch (80 mm) 2-inch (50 mm)
Sealing Face	F.....	Raised face (RF)
Gasket contact surface	1 2	Serration (ANSI B16.5) (for ANSI flange with sealing face material S only) Flat (no serration)
Diaphragm material	S..... H..... T.....	316L SST Hastelloy C-276*7 Tantalum*6
Sealing face material	S..... H..... T.....	316L SST Hastelloy C-276*7 Tantalum
Diaphragm diameter	9 6	Diaphragm O.D: 3.54-inch (90 mm)*14 Diaphragm O.D: 2.4-inch (61 mm)
Diaphragm option	A..... N.....	Gold-plated diaphragm*5 None
-----	N.....	Always N
Capillary connection	A.....	Side of diaphragm seal unit
Flange size*3	-3..... -2.....	3-inch (80 mm) 2-inch (50 mm)
Flange standards	J..... A..... P..... D.....	JIS ANSI JPI DIN

Flange pressure rating	1	class150	A.....	10K	H.....	PN10/16
	2	class300	B.....	20K	K.....	PN25/40
	4	class600	C.....	30K	L.....	PN64
	5	class900 *8	D.....	40K		
	6	class1500 *8	E.....	63K		
Flange type	S.....	for general use				
Flange material	A.....	JIS S25C				
	B.....	304 SST*4				
	C.....	316 SST*4				
	S.....	316L SST*4*15				
Extended outside diameter	-0	None				
Extended length	0	None				
-----	N.....	Always N				

Table 2g. Diaphragm material and Sealing face material

Wetted parts material*1	[Diaphragm material]	[Sealing face material]
SS.....	[S] 316L SST	[S] 316L SST
HH.....	[H] Hastelloy C-276*7#	[H] Hastelloy C-276*7#
TT.....	[T] Tantalum	[T] Tantalum

- *1: Users must consider the characteristics of selected wetted parts material and the influence of process fluids. The use of inappropriate materials can result in the leakage of corrosive process fluids and cause injury to personnel and/or damage to plant facilities. It is also possible that the diaphragm itself can be damaged and that material from the broken diaphragm and the fill fluid can contaminate the user's process fluids.
Be very careful with highly corrosive process fluids such as hydrochloric acid, sulfuric acid, hydrogen sulfide, sodium hypochlorite, and high temperature steam (150°C [302°F] or above). Contact Yokogawa for detailed information of the wetted parts material.
 - *2: Refer to section 12 for limitation of capillary length.
 - *3: Not applicable to different size between Process connection size and Flange size.
 - *4: Forged version of the material may be used.
 - *5: Applicable for Diaphragm material code S and H.
Inside of isolating diaphragms (fill fluid side) are gold plated, effective for hydrogen permeation.
 - *6: Not applicable for seal fill fluid code 2.
 - *7: Hastelloy C-276 or N10276.
 - *8: Not applicable for process connection size code 2.
- The '#' marks indicate the construction materials conform to NACE material recommendations per MR0175 (2003). Please refer to latest standards for details.

Table 2h. Process temperature and Ambient temperature

	Code	Process temperature*9	Ambient temperature*11	Working pressure	Specific gravity*13
Silicone oil*10 (high temp. and high vacuum use)	1	-10 to 250°C (14 to 482°F)	-10 to 60°C*12 (14 to 140°F)	0.013 kPa abs (0.0019 psi abs) to flange rating pressure	1.07
Silicone oil (high temp. and high vacuum use)	2	10 to 315°C (50 to 599°F)	10 to 60°C*12 (50 to 140°F)		1.09
Silicone oil (high vacuum use)	4	-10 to 100°C (14 to 212°F)	-10 to 60°C*12 (14 to 140°F)		1.07

Note: The differential pressure transmitter should be installed at least 600 mm below the high pressure (HP) process connection. However, this value (600 mm) may be affected by ambient temperature, operating pressure, fill fluid or material of the wetted diaphragm.
Contact YOKOGAWA when the transmitter can not be installed at least 600 mm below the HP process connection.

- *9: See figure 1a, 1b 'Working Pressure and Process Temperature.'
- *10: In case of diaphragm material code T (Tantalum), process temperature limit is up to 200°C (392°F).
- *11: This ambient temperature is the transmitter ambient temperature.
- *12: In case of process connection size code 2, ambient temperature limit is up to 50°C (122°F).
- *13: Approximate values at a temperature of 25°C (77°F)
- *14: Not applicable for process connection size code 2.
- *15: Not applicable for flange standards code D.

Table 2i. Diaphragm material and Sealing face material

Wetted parts material*1	SS	[Diaphragm material] [S] 316L SST	[Sealing face material] [S] 316L SST
	HH	[H] Hastelloy C-276*6#	[H] Hastelloy C-276*6#

- *1: Users must consider the characteristics of selected wetted parts material and the influence of process fluids. The use of inappropriate materials can result in the leakage of corrosive process fluids and cause injury to personnel and/or damage to plant facilities. It is also possible that the diaphragm itself can be damaged and that material from the broken diaphragm and the fill fluid can contaminate the user's process fluids.
Be very careful with highly corrosive process fluids such as hydrochloric acid, sulfuric acid, hydrogen sulfide, sodium hypochlorite, and high temperature steam (150°C [302°F] or above). Contact Yokogawa for detailed information of the wetted parts material.
 - *2: Refer to section 12 for limitation of capillary length.
 - *3: Applicable for option code /R (Operating temperature correction). In case of "without PVC sheath", must be select code V.
 - *4: Forged version of the material may be used.
 - *5: Inside of isolating diaphragms (fill fluid side) are gold plated, effective for hydrogen permeation.
 - *6: Hastelloy C-276 or N10276.
- The #marks indicate the construction materials conform to NACE material recommendations per MR0175 (2003). Please refer to latest standards for details.

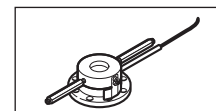
Table 2j. Process temperature and Ambient temperature

	Code	Process temperature*7	Ambient temperature*9	Working pressure	Specific gravity*10
Silicone oil*11 (general use)	A	-10 to 315°C (14 to 599°F)	-10 to 60°C (14 to 140°F)	2.7 kPa abs (0.38 psi abs) to flange rating pressure	1.07
Silicone oil (general use)	B	-30 to 210°C (-22 to 410°F)	-30 to 60°C (-22 to 140°F)		0.94
Silicone oil (low temperature use)	F	-70 to 100°C (-94 to 212°F)	-30 to 60°C (-22 to 140°F)	100 kPa abs (atmospheric pressure) to flange pressure rating	0.88
Fluorinated oil*8 (oil-prohibited use)	D	-20 to 120°C (-4 to 248°F)	-10 to 60°C (14 to 140°F)	51 kPa abs (7.4 psi abs) to flange rating pressure	1.90 to 1.92
Ethylene glycol (low temperature use)	E	-50 to 100°C (-58 to 212°F)	-40 to 60°C (-40 to 140°F)	100 kPa abs (atmospheric pressure) to flange pressure rating	1.09
Propylene glycol	P	-10 to 120°C (14 to 248°F)	-10 to 60°C (14 to 140°F)		1.04

Note: The differential pressure transmitter should be installed at least 600 mm below the high pressure (HP) process connection. However, this value (600 mm) may be affected by ambient temperature, operating pressure, fill fluid or material of the wetted diaphragm.
Contact YOKOGAWA when the transmitter can not be installed at least 600 mm below the HP process connection.

- *7: See figure 1a, 1b 'Working Pressure and Process Temperature.'
- *8: Even in case where fill fluid code D (fluorinated oil) is selected, if degrease cleansing treatment or both degrease cleansing and dehydrating treatment for the wetted parts is required, specify option code K31 or K35.
- *9: This ambient temperature is the transmitter ambient temperature.
- *10: Approximate values at a temperature of 25°C (77°F)
- *11: For the process where the process temperature exceeds 250°C, specify gasket usage code -H of C-10FR flushing connection ring.
- *12: In case of compensation capillary type, must be select code "-C" on seal system location code "-L".
- *13: Applicable for capillary length more than 6 m.

**2.6 1 1/2-inch (40 mm) Raised face (RF), Flush type
High vacuum / High temp. and high vacuum use
Capillary Connection Style: Side of diaphragm seal unit**



F47E.ai

Model	Suffix Codes	Description
C80FW	Remote Mount Flanged Diaphragm Seal (Flush type)
Seal system location	-H -L	for high pressure side for low pressure side
Seal fill fluid	<input type="checkbox"/>	Refer to table 2I.
Transmitter connection type	-S	for general use
Capillary length*2	1 2 3 4 5	1 m 6 6 m 2 m 7 7 m 3 m 8 8 m 4 m 9 9 m 5 m A 10 m
Capillary inside diameter	2	Capillary I.D. 2.03 mm
Capillary Style		[Usage] [Sheath style]
	1 2 3	High temp. and high vacuum use with PVC sheath without PVC sheath with PVC sheath red-color
	5 6 7	High vacuum use with PVC sheath without PVC sheath with PVC sheath red-color
Capillary Tube Connection	S	for general use
Process Connection size	-8	40A (1 1/2B)
Sealing Face	F	Raised face (RF)
Gasket contact surface	2	Flat (no serration)
Diaphragm material	S H	316L SST Hastelloy C-276*5
Sealing face material	S H	316L SST Hastelloy C-276*5
Diaphragm diameter	6	Diaphragm O.D: 2.4-inch (61 mm)
Diaphragm option	A N	Gold-plated diaphragm*4 None
-----	N	Always N
Capillary connection	A	Side of diaphragm seal unit
Flange size	-8	40A (1 1/2B)
Flange standards	J A P	JIS ANSI JPI
Flange pressure rating	1 2 4	class150 A 10K D 40K class300 B 20K E 63K class600 C 30K
Flange type	S	for general use
Flange material	A B C S	JIS S25C 304 SST*3 316 SST*3 316L SST*3
Extended outside diameter	-0	None
Extended length	0	None
-----	N	Always N

Note) 40A (1 1/2B) is a reducer type. C10FR (Flushing connection ring) is always necessary to be specified with this size.

Table 2k. Diaphragm material and Sealing face material

Wetted parts material*1	[Diaphragm material]		[Sealing face material]
	SS.....	[S] 316L SST	[S] 316L SST
HH.....	[H] Hastelloy C-276*5#	[H] Hastelloy C-276*5#	

*1: Users must consider the characteristics of selected wetted parts material and the influence of process fluids. The use of inappropriate materials can result in the leakage of corrosive process fluids and cause injury to personnel and/or damage to plant facilities. It is also possible that the diaphragm itself can be damaged and that material from the broken diaphragm and the fill fluid can contaminate the user's process fluids.
Be very careful with highly corrosive process fluids such as hydrochloric acid, sulfuric acid, hydrogen sulfide, sodium hypochlorite, and high temperature steam (150°C [302°F] or above). Contact Yokogawa for detailed information of the wetted parts material.

*2: Refer to section 12 for limitation of capillary length.

*3: Forged version of the material may be used.

*4: Inside of isolating diaphragms (fill fluid side) are gold plated, effective for hydrogen permeation.

*5: Hastelloy C-276 or N10276.

The #marks indicate the construction materials conform to NACE material recommendations per MR0175 (2003).

Please refer to latest standards for details.

Table 2l. Process temperature and Ambient temperature

	Code	Process temperature*6	Ambient temperature*7	Working pressure	Specific gravity*8
Silicone oil (high temp. and high vacuum use)	1	-10 to 250°C (14 to 482°F)	-10 to 50°C (14 to 122°F)	0.013 kPa abs (0.0019 psi abs) to flange rating pressure	1.07
Silicone oil (high vacuum use)	4	-10 to 100°C (14 to 212°F)	-10 to 50°C (14 to 122°F)		1.07

Note: The differential pressure transmitter should be installed at least 600 mm below the high pressure (HP) process connection. However, this value (600 mm) may be affected by ambient temperature, operating pressure, fill fluid or material of the wetted diaphragm.
Contact YOKOGAWA when the transmitter can not be installed at least 600 mm below the HP process connection.

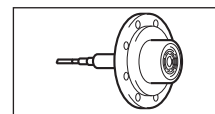
*6: See figure 1c, 1d 'Working Pressure and Process Temperature.'

*7: This ambient temperature is the transmitter ambient temperature.

*8: Approximate values at a temperature of 25°C (77°F)

3. Remote Mount Flanged Diaphragm Seal (Extended type)

3.1 4-inch (100 mm) / 3-inch (80 mm) Raised face (RF), Extended type for general use, Capillary Connection Style: Back of diaphragm seal unit



F48E.ai

Model	Suffix Codes	Description
C80FE	Remote Mount Flanged Diaphragm Seal (Extended type)
Seal system location	-H..... -L.....	for high pressure side for low pressure side
Seal fill fluid	<input type="checkbox"/>	Refer to table 3b.
Transmitter connection type	-S..... -C.....	for general use for compensating capillary type*12
Capillary length*2*10	1 2 3 4 5	1 m 6 6 m B 11 m 2 m 7 7 m C 12 m 3 m 8 8 m D 13 m 4 m 9 9 m E 14 m 5 m A 10 m F 15 m
Capillary inside diameter	2 1	Capillary I.D. 2.03 mm Capillary I.D. 1.3 mm*13
Capillary Style		[Usage] [Sheath style]
	S..... V..... W.....	for general use with PVC sheath without PVC sheath with PVC sheath red-color
	R..... T.....	for process operating temperature correction*3 with PVC sheath with PVC sheath red-color
Capillary Tube Connection	S.....	for general use
Process Connection size*4	-4 -3	4-inch (100 mm) 3-inch (80 mm)
Sealing Face	F.....	Raised face (RF)
Gasket contact surface	1 2	Serration (ANSI B16.5) (for ANSI flange with sealing face material C and S) Flat (no serration)
Diaphragm material	S..... H..... T.....	316L SST V 316L SST Hastelloy C-276*8 (Thickness: 0.0055 inch (0.14 mm)) Tantalum*10 J Hastelloy C-276*8*9 (Thickness: 0.006 inch (0.15 mm))
Sealing face material (Pipe and base)	C..... S..... H.....	316 SST 316L SST Hastelloy C-276*8
Diaphragm diameter	9 6	Diaphragm O.D: 3.54-inch (90 mm)*9 Diaphragm O.D: 2.4-inch (61 mm)
Diaphragm option	A..... P..... N.....	Gold-plated diaphragm*6 With platinum plate*7 None
-----	N.....	Always N
Capillary connection	B.....	Back of diaphragm seal unit
Flange size*4	-4 -3	4-inch (100 mm) 3-inch (80 mm)
Flange standards	J..... A..... P..... D.....	JIS ANSI JPI DIN

Flange pressure rating	1	class150	A 10K	H PN10/16
	2	class300	B 20K	K PN25/40
	4	class600	C 30K	
	5	class900	D 40K	
	6	class1500		
Flange type	S	for general use		
Flange material	A	JIS S25C		
	B	304 SST*5		
	C	316 SST*5		
	S	316L SST*5*11		
Extended outside diameter	-4	3.78±0.02 inch (96±0.5 mm)		
	-3	2.8±0.02 inch (71±0.5 mm)		
Extended length	2	Length (X2) = 1.97±0.02 inch (50±0.5 mm)		
	4	Length (X2) = 3.94±0.02 inch (100±0.5 mm)		
	6	Length (X2) = 5.91±0.02 inch (150±0.5 mm)		
	8	Length (X2) = 7.87±0.03 inch (200±0.8 mm)		
-----	N	Always N		

Table 3a. Diaphragm material and Sealing face material

Wetted parts material*1	[Diaphragm material]	[Sealing face material]
SC	[S] 316L SST	[C] 316 SST
SS	[S] 316L SST	[S] 316L SST
HC	[H] Hastelloy C-276*8#	[C] 316 SST
HS	[H] Hastelloy C-276*8#	[S] 316L SST
HH	[H] Hastelloy C-276*8#	[H] Hastelloy C-276*8
TS	[T] Tantalum	[S] 316L SST
VC	[V] 316L SST	[C] 316 SST
	(Thickness: 0.0055 inch (0.14 mm))	
VS	[V] 316L SST	[S] 316L SST
	(Thickness: 0.005 inch (0.14 mm))	
JC	[J] Hastelloy C-276*8*9#	[C] 316 SST
	(Thickness: 0.006 inch (0.15 mm))	
JS	[J] Hastelloy C-276*8*9#	[S] 316L SST
	(Thickness: 0.006 inch (0.15 mm))	
JH	[J] Hastelloy C-276*8*9#	[H] Hastelloy C-276*8
	(Thickness: 0.006 inch (0.15 mm))	

- *1: Users must consider the characteristics of selected wetted parts material and the influence of process fluids. The use of inappropriate materials can result in the leakage of corrosive process fluids and cause injury to personnel and/or damage to plant facilities. It is also possible that the diaphragm itself can be damaged and that material from the broken diaphragm and the fill fluid can contaminate the user's process fluids.
Be very careful with highly corrosive process fluids such as hydrochloric acid, sulfuric acid, hydrogen sulfide, sodium hypochlorite, and high temperature steam (150°C [302°F] or above). Contact Yokogawa for detailed information of the wetted parts material.
- *2: Refer to section 12 for limitation of capillary length.
- *3: Applicable for option code /R (Operating temperature correction). In case of "without PVC sheath", must be select code V.
- *4: Not applicable to different size between Process connection size and Flange size.
- *5: Forged version of the material may be used.
- *6: Applicable for Diaphragm material code S and H.
Inside of isolating diaphragms (fill fluid side) are gold plated, effective for hydrogen permeation.
- *7: Applicable for Diaphragm material code T.
- *8: Hastelloy C-276 or N10276.
- *9: Not applicable for process connection size code 3.
- *10: The specified capillary length includes the extension length (X2) and the flange thickness (t).
- *11: Not applicable for flange standards code D.
- *12: In case of compensation capillary type, must be select code "-C" on seal system location code "-L".
- *13: Applicable for process connection size code "3" with capillary length more than 6 m.

Table 3b. Process temperature and Ambient temperature

	Code	Process temperature*14	Ambient temperature*17	Working pressure	Specific gravity*18
Silicone oil*15 (general use)	A	-10 to 315°C (14 to 599°F)	-10 to 60°C (14 to 140°F)	2.7 kPa abs (0.38 psi abs) to flange rating pressure	1.07
Silicone oil*15 (general use)	B	-30 to 210°C (-22 to 410°F)	-30 to 60°C (-22 to 140°F)		0.94
Silicone oil (low temperature use)	F	-70 to 100°C (-94 to 212°F)	-30 to 60°C (-22 to 140°F)	100 kPa abs (atmospheric pressure) to flange pressure rating	0.88
Fluorinated oil*16 (oil-prohibited use)	D	-20 to 120°C (-4 to 248°F)	-10 to 60°C (14 to 140°F)	51 kPa abs (7.4 psi abs) to flange rating pressure	1.90 to 1.92
Ethylene glycol (low temperature use)	E	-50 to 100°C (-58 to 212°F)	-40 to 60°C (-40 to 140°F)	100 kPa abs (atmospheric pressure) to flange pressure rating	1.09
Propylene glycol	P	-10 to 120°C (14 to 248°F)	-10 to 60°C (14 to 140°F)		1.04

Note: The differential pressure transmitter should be installed at least 600 mm below the high pressure (HP) process connection. However, this value (600 mm) may be affected by ambient temperature, operating pressure, fill fluid or material of the wetted diaphragm.
Contact YOKOGAWA when the transmitter can not be installed at least 600 mm below the HP process connection.

*14: See figure 1a, 1b 'Working Pressure and Process Temperature.'

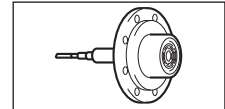
*15: In case of diaphragm material code T (Tantalum), process temperature limit is up to 200°C (392°F).

*16: Even in case where fill fluid code D (fluorinated oil) is selected, if degrease cleansing treatment or both degrease cleansing and dehydrating treatment for the wetted parts is required, specify option code K31 or K35.

*17: This ambient temperature is the transmitter ambient temperature.

*18: Approximate values at a temperature of 25°C (77°F)

3.2 4-inch (100 mm) / 3-inch (80 mm) Raised face (RF) Extended type High vacuum / High temp. and high vacuum use Capillary Connection Style: Back of diaphragm seal unit



F49E.ai

Model	Suffix Codes	Description
C80FE	Remote Mount Flanged Diaphragm Seal (Extended type)
Seal system location	-H -L	for high pressure side for low pressure side
Seal fill fluid	<input type="checkbox"/>	Refer to table 3d.
Transmitter connection type	-S	for general use
Capillary length*2*8	1 2 3 4 5	1 m 6 6 m 2 m 7 7 m 3 m 8 8 m 4 m 9 9 m 5 m A 10 m
Capillary inside diameter	2	Capillary I.D. 2.03 mm
Capillary Style		[Usage] [Sheath style]
	1 2 3	High temp. and high vacuum use with PVC sheath without PVC sheath with PVC sheath red-color
	5 6 7	High vacuum use with PVC sheath without PVC sheath with PVC sheath red-color
Capillary Tube Connection	S	for general use
Process Connection size*3	-4 -3	4-inch (100 mm) 3-inch (80 mm)
Sealing Face	F	Raised face (RF)
Gasket contact surface	1 2	Serration (ANSI B16.5) (for ANSI flange with sealing face material C and S) Flat (no serration)
Diaphragm material	S H T	316L SST Hastelloy C-276*7 Tantalum*6
Sealing face material (Pipe and Base)	C S	316 SST 316L SST
Diaphragm diameter	9 6	Diaphragm O.D: 3.54-inch (90 mm)*9 Diaphragm O.D: 2.4-inch (61 mm)
Diaphragm option	A N	Gold-plated diaphragm*5 None
-----	N	Always N
Capillary connection	B	Back of diaphragm seal unit
Flange size*3	-4 -3	4-inch (100 mm) 3-inch (80 mm)
Flange standards	J A P D	JIS ANSI JPI DIN

Flange pressure rating	1	class150	A..... 10K	H..... PN10/16
	2	class300	B..... 20K	K..... PN25/40
	4	class600	C..... 30K	
	5	class900	D..... 40K	
	6	class1500		
	Flange type	S	for general use	
Flange material	A.....	JIS S25C		
	B.....	304 SST*4		
	C.....	316 SST*4		
	S.....	316L SST*4*9*10		
Extended outside diameter	-4	3.78±0.02 inch (96±0.5 mm)		
	-3	2.8±0.02 inch (71±0.5 mm)		
Extended length	2	Length (X2) = 1.97±0.02 inch (50±0.5 mm)		
	4	Length (X2) = 3.94±0.02 inch (100±0.5 mm)		
	6	Length (X2) = 5.91±0.02 inch (150±0.5 mm)		
	8	Length (X2) = 7.87±0.03 inch (200±0.8 mm)		
-----	N.....	Always N		

Table 3c. Diaphragm material and Sealing face material

Wetted parts material*1	[Diaphragm material]		[Sealing face material]
	SC	[S] 316L SST	[C] 316 SST
SS.....	[S] 316L SST	[S] 316L SST	
HC	[H] Hastelloy C-276*7#	[C] 316 SST	
HS	[H] Hastelloy C-276*7#	[S] 316L SST	
TS.....	[T] Tantalum*6	[S] 316L SST	

*1: Users must consider the characteristics of selected wetted parts material and the influence of process fluids. The use of inappropriate materials can result in the leakage of corrosive process fluids and cause injury to personnel and/or damage to plant facilities. It is also possible that the diaphragm itself can be damaged and that material from the broken diaphragm and the fill fluid can contaminate the user's process fluids. Be very careful with highly corrosive process fluids such as hydrochloric acid, sulfuric acid, hydrogen sulfide, sodium hypochlorite, and high temperature steam (150°C [302°F] or above). Contact Yokogawa for detailed information of the wetted parts material.

*2: Refer to section 12 for limitation of capillary length.

*3: Not applicable to different size between Process connection size and Flange size.

*4: Forged version of the material may be used.

*5: Applicable for Diaphragm material code S and H.

Inside of isolating diaphragms (fill fluid side) are gold plated, effective for hydrogen permeation.

*6: Not applicable for seal fill fluid code 2.

*7: Hastelloy C-276 or N10276.

*8: The specified capillary length includes the extension length (X2) and the flange thickness (t).

*9: Not applicable for process connection size code 3.

*10: Not applicable for flange standards code D.

The '#'marks indicate the construction materials conform to NACE material recommendations per MR0175 (2003). Please refer to latest standards for details.

Table 3d. Process temperature and Ambient temperature

	Code	Process temperature*11	Ambient temperature*13	Working pressure	Specific gravity*15
Silicone oil*12 (high temp. and high vacuum use)	1	-10 to 250°C (14 to 482°F)	-10 to 60°C*14 (14 to 140°F)	0.013 kPa abs (0.0019 psi abs) to flange rating pressure	1.07
Silicone oil (high temp. and high vacuum use)	2	10 to 315°C (50 to 599°F)	10 to 60°C*14 (50 to 140°F)		1.09
Silicone oil (high vacuum use)	4	-10 to 100°C (14 to 212°F)	-10 to 60°C*14 (14 to 140°F)		1.07

Note: The differential pressure transmitter should be installed at least 600 mm below the high pressure (HP) process connection. However, this value (600 mm) may be affected by ambient temperature, operating pressure, fill fluid or material of the wetted diaphragm.
Contact YOKOGAWA when the transmitter can not be installed at least 600 mm below the HP process connection.

*11: See figure 1e, 1f 'Working Pressure and Process Temperature.'

*12: In case of diaphragm material code T (Tantalum), process temperature limit is up to 200°C (392°F).

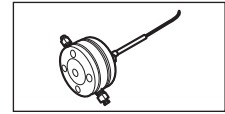
*13: This ambient temperature is the transmitter ambient temperature.

*14: In case of process connection size code 3, ambient temperature limit is up to 50°C (122°F).

*15: Approximate values at a temperature of 25°C (77°F)

4. Remote Mount Flanged Diaphragm Seal (Inner Diaphragm type)

4.1 1/2-inch (15 mm) / 3/4-inch (20 mm) 1-inch (25 mm) Adapter connection type, Raised face (RF) for general use, Capillary Connection Style: Back of diaphragm seal unit



Model	Suffix Codes	Description
C81FA	Inner Diaphragm, Adapter connection seal (Bundled capillary type)*2
C82FA	Inner Diaphragm, Adapter connection seal (Standard type)
Seal system location	-H..... -L..... -B.....	Standard type for high pressure side Standard type for low pressure side Bundled capillary type (1 m separated)*4
Seal fill fluid	<input type="checkbox"/>	Refer to table 4b.
Transmitter connection type	-S.....	for general use
Capillary length*5	1 2 3 4 5	1 m*3 6 6 m B..... 11 m 2 m 7 7 m C..... 12 m 3 m 8 8 m D..... 13 m 4 m 9 9 m E..... 14 m 5 m A..... 10 m F..... 15 m
Capillary inside diameter	2 1	Capillary I.D. 2.03 mm Capillary I.D. 1.3 mm*15
Capillary Style	S..... V..... W.....	[Usage] [Sheath style] for general use with PVC sheath without PVC sheath with PVC sheath red-color
Capillary Tube Connection	S.....	for general use
Inner Diaphragm Type	-9..... S..... 2.....	Inner Diaphragm Type Always S Always 2
Diaphragm material	S..... H..... T.....	316L SST Hastelloy C-276*8 Tantalum*16
Wetted Parts Material (Except for Flange)	S..... H..... T.....	316L SST Hastelloy C-276*8 Tantalum
Diaphragm diameter	6.....	Diaphragm O.D: 2.4-inch (61 mm)
Diaphragm option	A..... N..... N.....	Gold-plated diaphragm*7 None Always N
Capillary connection	B.....	Back of diaphragm seal unit
Flange size	-6..... -7..... -1.....	1/2-inch (15 mm) 3/4-inch (20 mm) 1-inch (25 mm)
Flange standards	J..... A..... P.....	JIS ANSI JPI
Flange pressure rating	1 2 4	class150 A..... 10K D..... 40K class300 B..... 20K class600 C..... 30K
Sealing Face	F..... G.....	Raised face (RF) Flat (no serration) Raised face (RF) With Serration (ANSI B16.5) (for ANSI flange only)

Flange material (Adapter, Vent plug, Vent screw)	C.....	316 SST*6
	S.....	316L SST*6
Flange Usage	-S.....	for general use*9
	-P.....	for general use (Gasket material: PTFE Teflon)*10
	-H.....	for high temperature use (Process temperature: 250 to 315°C)*11*12
Vent Plug Style	S.....	for general use (with two vent plugs) *13
	L.....	With two long vent plugs*14
	N.....	Without vent plug
-----	N.....	Always N

Note: Stud bolts and nuts are attached for the adapter (Material:Stud bolt...B7, NUT...304 SST)
 In case of differential transmitter with both side diaphragm seal: 2pcs
 In case of differential transmitter with single diaphragm seal or gauge transmitter with diaphragm seal: 1pc

Table 4a. Diaphragm material and Sealing face material

Wetted parts material*1	[Diaphragm material]	[Sealing face material]
SS.....	[S] 316L SST	[S] 316L SST
HH.....	[H] Hastelloy C-276*8#	[H] Hastelloy C-276*8#
TT.....	[T] Tantalum	[T] Tantalum

- *1: Users must consider the characteristics of selected wetted parts material and the influence of process fluids. The use of inappropriate materials can result in the leakage of corrosive process fluids and cause injury to personnel and/or damage to plant facilities. It is also possible that the diaphragm itself can be damaged and that material from the broken diaphragm and the fill fluid can contaminate the user's process fluids.
 Be very careful with highly corrosive process fluids such as hydrochloric acid, sulfuric acid, hydrogen sulfide, sodium hypochlorite, and high temperature steam (150°C [302°F] or above). Contact Yokogawa for detailed information of the wetted parts material.
 - *2: Not applicable for gauge transmitter and differential transmitter with single seal type.
 - *3: In case where capillary length code 1 (1 m), the model code must be selected for C82FA. Not applicable for C81FA.
 - *4: In case where Model code F81FA is selected, It must be Selected seal system location code B.
 - *5: Refer to section 12 for limitation of capillary length.
 - *6: Forged version of the material may be used.
 - *7: Applicable for Diaphragm material code S and H.
 Inside of isolating diaphragms (fill fluid side) are gold plated, effective for hydrogen permeation.
 - *8: Hastelloy C-276 or N10276.
 - *9: Gasket material for transmitter side is 316L SST with PTFE Teflon coating.
 - *10: Applicable for Diaphragm material code T.
 - *11: When selecting Flange usage code H (for High temperature use), Drain/vent are welded to the flange.
 - *12: Not applicable for Diaphragm material code T.
 - *13: Not applicable for Flange usage code H.
 - *14: Total length: 119 mm (standard: 34 mm); Total length when combining with option code K31 and K35: 130 mm.
 - *15: Applicable for capillary length more than 6 m.
- The '#' marks indicate the construction materials conform to NACE material recommendations per MR0175 (2003).
 Please refer to latest standards for details.

Table 4b. Process temperature and Ambient temperature

	Code	Process temperature*16	Ambient temperature*19	Working pressure	Specific gravity*20
Silicone oil*17*21 (general use)	A	-10 to 315°C (14 to 599°F)	-10 to 60°C (14 to 140°F)	2.7 kPa abs (0.38 psi abs) to flange rating pressure	1.07
Silicone oil*17 (general use)	B	-30 to 210°C (-22 to 410°F)	-30 to 60°C (-22 to 140°F)		0.94
Silicone oil (low temperature use)	F	-70 to 100°C (-94 to 212°F)	-30 to 60°C (-22 to 140°F)	100 kPa abs (atmospheric pressure) to flange pressure rating	0.88
Fluorinated oil*18 (oil-prohibited use)	D	-20 to 120°C (-4 to 248°F)	-10 to 60°C (14 to 140°F)	51 kPa abs (7.4 psi abs) to flange rating pressure	1.90 to 1.92
Ethylene glycol (low temperature use)	E	-50 to 100°C (-58 to 212°F)	-40 to 60°C (-40 to 140°F)	100 kPa abs (atmospheric pressure) to flange pressure rating	1.09
Propylene glycol	P	-10 to 120°C (14 to 248°F)	-10 to 60°C (14 to 140°F)		1.04

Note: The differential pressure transmitter should be installed at least 600 mm below the high pressure (HP) process connection. However, this value (600 mm) may be affected by ambient temperature, operating pressure, fill fluid or material of the wetted diaphragm.
Contact YOKOGAWA when the transmitter can not be installed at least 600 mm below the HP process connection.

*16: See figure 1a, 1b 'Working Pressure and Process Temperature.'

*17: In case of diaphragm material code T (Tantalum), process temperature limit is up to 200°C (392°F).

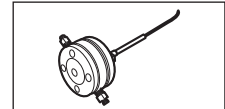
*18: Even in case where fill fluid code D (fluorinated oil) is selected, if degrease cleansing treatment or both degrease cleansing and dehydrating treatment for the wetted parts is required, specify option code K31 or K35.

*19: This ambient temperature is the transmitter ambient temperature.

*20: Approximate values at a temperature of 25°C (77°F)

*21: For the process where the process temperature exceeds 250°C, specify Flange usage code -H.

**4.2 1/2-inch (15 mm) / 3/4-inch (20 mm) / 1-inch (25 mm)
Adapter connection type, Ring type joint (RJ) for general use,
Capillary Connection Style: Back of diaphragm seal unit**



F51E.ai

Model	Suffix Codes	Description
C81FA	Inner Diaphragm, Adapter connection seal (Bundled capillary type)*2
C82FA	Inner Diaphragm, Adapter connection seal (Standard type)
Seal system location	-H..... -L..... -B.....	Standard type for high pressure side Standard type for low pressure side Bundled capillary type (1 m separated)*4
Seal fill fluid	<input type="checkbox"/>	Refer to table 4d.
Transmitter connection type	-S.....	for general use
Capillary length*5	1 2 3 4 5	1 m*3 6 6 m B 11 m 2 m 7 7 m C 12 m 3 m 8 8 m D 13 m 4 m 9 9 m E 14 m 5 m A 10 m F 15 m
Capillary inside diameter	2 1	Capillary I.D. 2.03 mm Capillary I.D. 1.3 mm*15
Capillary Style	S..... V..... W.....	[Usage] [Sheath style] for general use with PVC sheath without PVC sheath with PVC sheath red-color
Capillary Tube Connection	S.....	for general use
Inner Diaphragm Type	-9..... S..... 2.....	Inner Diaphragm Type Always S Always 2
Diaphragm material	S..... H..... T.....	316L SST Hastelloy C-276*8 Tantalum*16
Wetted Parts Material (Except for Flange)	S..... H..... T.....	316L SST Hastelloy C-276*8 Tantalum
Diaphragm diameter	6.....	Diaphragm O.D.: 2.4-inch (61 mm)
Diaphragm option	A..... N..... N.....	Gold-plated diaphragm*7 None Always N
Capillary connection	B.....	Back of diaphragm seal unit
Flange size	-6..... -7..... -1.....	1/2-inch (15 mm) 3/4-inch (20 mm) 1-inch (25 mm)
Flange standards	A..... P.....	ANSI JPI
Flange pressure rating	2..... 4.....	class300 class600
Sealing Face	J.....	Ring type joint (RJ)
Flange material (Adapter, Vent plug, Vent screw)	C..... S.....	316 SST*6 316L SST*6
Flange Usage	-S..... -P..... -H.....	for general use*9 for general use (Gasket material: PTFE Teflon)*10 for high temperature use (Process temperature: 250 to 315°C)*11*12

Vent Plug Style	S	for general use (with two vent plugs) *13
	L	With two long vent plugs*14
	N	Without vent plug
	N	Always N

Note: Stud bolts and nuts are attached for the adapter (Material:Stud bolt...B7, NUT...304 SST)
 In case of differential transmitter with both side diaphragm seal: 2pcs
 In case of differential transmitter with single diaphragm seal or gauge transmitter with diaphragm seal: 1pc

Table 4c. Diaphragm material and Sealing face material

Wetted parts material*1	[Diaphragm material]	[Sealing face material]
SS.....	[S] 316L SST	[S] 316L SST
HH.....	[H] Hastelloy C-276*8#	[H] Hastelloy C-276*8#
TT.....	[T] Tantalum	[T] Tantalum

- *1: Users must consider the characteristics of selected wetted parts material and the influence of process fluids. The use of inappropriate materials can result in the leakage of corrosive process fluids and cause injury to personnel and/or damage to plant facilities. It is also possible that the diaphragm itself can be damaged and that material from the broken diaphragm and the fill fluid can contaminate the user's process fluids.
 Be very careful with highly corrosive process fluids such as hydrochloric acid, sulfuric acid, hydrogen sulfide, sodium hypochlorite, and high temperature steam (150°C [302°F] or above). Contact Yokogawa for detailed information of the wetted parts material.
- *2: Not applicable for gauge transmitter and differential transmitter with single seal type.
- *3: In case where capillary length code 1 (1 m), the model code must be selected for C82FA. Not applicable for C81FA.
- *4: In case where Model code F81FA is selected, It must be Selected seal system location code B.
- *5: Refer to section 12 for limitation of capillary length.
- *6: Forged version of the material may be used.
- *7: Applicable for Diaphragm material code S and H.
 Inside of isolating diaphragms (fill fluid side) are gold plated, effective for hydrogen permeation.
- *8: Hastelloy C-276 or N10276.
- *9: Gasket material for transmitter side is 316L SST with PTFE Teflon coating.
- *10: Applicable for Diaphragm material code T.
- *11: When selecting Flange usage code H (for High temperature use), Drain/vent are welded to the flange.
- *12: Not applicable for Diaphragm material code T.
- *13: Not applicable for Flange usage code H.
- *14: Total length: 119 mm (standard: 34 mm); Total length when combining with option code K31 and K35: 130 mm.
- *15: Applicable for capillary length more than 6 m.
 The '# marks indicate the construction materials conform to NACE material recommendations per MR0175 (2003).
 Please refer to latest standards for details.

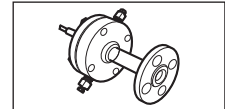
Table 4d. Process temperature and Ambient temperature

	Code	Process temperature*16	Ambient temperature*19	Working pressure	Specific gravity*20
Silicone oil*17*21 (general use)	A	-10 to 315°C (14 to 599°F)	-10 to 60°C (14 to 140°F)	2.7 kPa abs (0.38 psi abs) to flange rating pressure	1.07
Silicone oil*17 (general use)	B	-30 to 210°C (-22 to 410°F)	-30 to 60°C (-22 to 140°F)		0.94
Silicone oil (low temperature use)	F	-70 to 100°C (-94 to 212°F)	-30 to 60°C (-22 to 140°F)	100 kPa abs (atmospheric pressure) to flange pressure rating	0.88
Fluorinated oil*18 (oil-prohibited use)	D	-20 to 120°C (-4 to 248°F)	-10 to 60°C (14 to 140°F)	51 kPa abs (7.4 psi abs) to flange rating pressure	1.90 to 1.92
Ethylene glycol (low temperature use)	E	-50 to 100°C (-58 to 212°F)	-40 to 60°C (-40 to 140°F)	100 kPa abs (atmospheric pressure) to flange pressure rating	1.09
Propylene glycol	P	-10 to 120°C (14 to 248°F)	-10 to 60°C (14 to 140°F)		1.04

Note: The differential pressure transmitter should be installed at least 600 mm below the high pressure (HP) process connection. However, this value (600 mm) may be affected by ambient temperature, operating pressure, fill fluid or material of the wetted diaphragm.
 Contact YOKOGAWA when the transmitter can not be installed at least 600 mm below the HP process connection.

- *16: See figure 1a, 1b 'Working Pressure and Process Temperature.'
- *17: In case of diaphragm material code T (Tantalum), process temperature limit is up to 200°C (392°F).
- *18: Even in case where fill fluid code D (fluorinated oil) is selected, if degrease cleansing treatment or both degrease cleansing and dehydrating treatment for the wetted parts is required, specify option code K31 or K35.
- *19: This ambient temperature is the transmitter ambient temperature.
- *20: Approximate values at a temperature of 25°C (77°F)
- *21: For the process where the process temperature exceeds 250°C, specify Flange usage code -H.

**4.3 1/2-inch (15 mm) / 3/4-inch (20 mm) / 1-inch (25 mm)
Flange connection type, Raised face (RF) for general use,
Capillary Connection Style: Back of diaphragm seal unit**



F52E.ai

Model	Suffix Codes	Description
C81FD	Inner Diaphragm, Flange connection seal (Bundled capillary type)*2
C82FD	Inner Diaphragm, Flange connection seal (Standard type)
Seal system location	-H..... -L..... -B.....	Standard type for high pressure side Standard type for low pressure side Bundled capillary type (1 m separated)*4
Seal fill fluid	<input type="checkbox"/>	Refer to table 4f.
Transmitter connection type	-S.....	for general use
Capillary length*5	1 2 3 4 5	1 m*3 6 6 m B 11 m 2 m 7 7 m C 12 m 3 m 8 8 m D 13 m 4 m 9 9 m E 14 m 5 m A 10 m F 15 m
Capillary inside diameter	2 1	Capillary I.D. 2.03 mm Capillary I.D. 1.3 mm*15
Capillary Style	S V W	[Usage] [Sheath style] for general use with PVC sheath without PVC sheath with PVC sheath red-color
Capillary Tube Connection	S	for general use
Inner Diaphragm Type	-9	Inner Diaphragm Type
-----	S	Always S
-----	2	Always 2
Diaphragm material	S H T	316L SST Hastelloy C-276*8 Tantalum*16
Wetted Parts Material (Except for Flange)	S H T	316L SST Hastelloy C-276*8 Tantalum
Diaphragm diameter	6	Diaphragm O.D: 2.4-inch (61 mm)
Diaphragm option	A N	Gold-plated diaphragm*7 None
-----	N	Always N
Capillary connection	B	Back of diaphragm seal unit
Flange size	-6 -7 -1	1/2-inch (15 mm) 3/4-inch (20 mm) 1-inch (25 mm)
Flange standards	J A P	JIS ANSI JPI
Flange pressure rating	1 2 4	class150 A 10K D 40K class300 B 20K class600 C 30K
Sealing Face	F G	Raised face (RF) Flat (no serration) Raised face (RF) With Serration (ANSI B16.5) (for ANSI flange only)
Flange material (Flange, Pipe, Base, Vent plug, Vent screw)	C S	316 SST*6 316L SST*6

Flange Usage	-S.....	for general use*9
	-P.....	for general use (Gasket material: PTFE Teflon)*10
	-H.....	for high temperature use (Process temperature: 250 to 315°C)*11*12
Vent Plug Style	S.....	for general use (with two vent plugs) *13
	L.....	With two long vent plugs*14
	N.....	Without vent plug
-----	N.....	Always N

Table 4e. Diaphragm material and Sealing face material

Wetted parts material*1	[Diaphragm material]	[Sealing face material]
SS.....	[S] 316L SST	[S] 316L SST
HH.....	[H] Hastelloy C-276*8#	[H] Hastelloy C-276*8#
TT.....	[T] Tantalum	[T] Tantalum

- *1: Users must consider the characteristics of selected wetted parts material and the influence of process fluids. The use of inappropriate materials can result in the leakage of corrosive process fluids and cause injury to personnel and/or damage to plant facilities. It is also possible that the diaphragm itself can be damaged and that material from the broken diaphragm and the fill fluid can contaminate the user's process fluids.
Be very careful with highly corrosive process fluids such as hydrochloric acid, sulfuric acid, hydrogen sulfide, sodium hypochlorite, and high temperature steam (150°C [302°F] or above). Contact Yokogawa for detailed information of the wetted parts material.
 - *2: Not applicable for gauge transmitter and differential transmitter with single seal type.
 - *3: In case where capillary length code 1 (1 m), the model code must be selected for C82FD. Not applicable for C81FD.
 - *4: In case where Model code F81FD is selected, It must be Selected seal system location code B.
 - *5: Refer to section 12 for limitation of capillary length.
 - *6: Forged version of the material may be used.
 - *7: Applicable for Diaphragm material code S and H.
Inside of isolating diaphragms (fill fluid side) are gold plated, effective for hydrogen permeation.
 - *8: Hastelloy C-276 or N10276.
 - *9: Gasket material for transmitter side is 316L SST with PTFE Teflon coating.
 - *10: Applicable for Diaphragm material code T.
 - *11: When selecting Flange usage code H (for High temperature use), Drain/vent are welded to the flange.
 - *12: Not applicable for Diaphragm material code T.
 - *13: Not applicable for Flange usage code H.
 - *14: Total length: 119 mm (standard: 34 mm); Total length when combining with option code K31 and K35: 130 mm.
 - *15: Applicable for capillary length more than 6 m.
- The '#' marks indicate the construction materials conform to NACE material recommendations per MR0175 (2003). Please refer to latest standards for details.

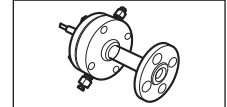
Table 4f. Process temperature and Ambient temperature

	Code	Process temperature*16	Ambient temperature*19	Working pressure	Specific gravity*20
Silicone oil*17*21 (general use)	A	-10 to 315°C (14 to 599°F)	-10 to 60°C (14 to 140°F)	2.7 kPa abs (0.38 psi abs) to flange rating pressure	1.07
Silicone oil*17 (general use)	B	-30 to 210°C (-22 to 410°F)	-30 to 60°C (-22 to 140°F)		0.94
Silicone oil (low temperature use)	F	-70 to 100°C (-94 to 212°F)	-30 to 60°C (-22 to 140°F)	100 kPa abs (atmospheric pressure) to flange pressure rating	0.88
Fluorinated oil*18 (oil-prohibited use)	D	-20 to 120°C (-4 to 248°F)	-10 to 60°C (14 to 140°F)	51 kPa abs (7.4 psi abs) to flange rating pressure	1.90 to 1.92
Ethylene glycol (low temperature use)	E	-50 to 100°C (-58 to 212°F)	-40 to 60°C (-40 to 140°F)	100 kPa abs (atmospheric pressure) to flange pressure rating	1.09
Propylene glycol	P	-10 to 120°C (14 to 248°F)	-10 to 60°C (14 to 140°F)		1.04

Note: The differential pressure transmitter should be installed at least 600 mm below the high pressure (HP) process connection. However, this value (600 mm) may be affected by ambient temperature, operating pressure, fill fluid or material of the wetted diaphragm.
Contact YOKOGAWA when the transmitter can not be installed at least 600 mm below the HP process connection.

- *16: See figure 1a, 1b 'Working Pressure and Process Temperature.'
- *17: In case of diaphragm material code T (Tantalum), process temperature limit is up to 200°C (392°F).
- *18: Even in case where fill fluid code D (fluorinated oil) is selected, if degrease cleansing treatment or both degrease cleansing and dehydrating treatment for the wetted parts is required, specify option code K31 or K35.
- *19: This ambient temperature is the transmitter ambient temperature.
- *20: Approximate values at a temperature of 25°C (77°F)
- *21: For the process where the process temperature exceeds 250°C, specify Flange usage code -H.

**4.4 1/2-inch (15 mm) / 3/4-inch (20 mm) / 1-inch (25 mm)
Flange connection type, Ring type joint (RJ) for general use,
Capillary Connection Style: Back of diaphragm seal unit**



F53E.ai

Model	Suffix Codes	Description
C81FD	Inner Diaphragm, Flange connection seal (Bundled capillary type)*2
C82FD	Inner Diaphragm, Flange connection seal (Standard type)
Seal system location	-H..... -L..... -B.....	Standard type for high pressure side Standard type for low pressure side Bundled capillary type (1 m separated)*4
Seal fill fluid	<input type="checkbox"/>	Refer to table 4h.
Transmitter connection type	-S.....	for general use
Capillary length*5	1 2 3 4 5	1 m*3 6 6 m B 11 m 2 m 7 7 m C 12 m 3 m 8 8 m D 13 m 4 m 9 9 m E 14 m 5 m A 10 m F 15 m
Capillary inside diameter	2 1	Capillary I.D. 2.03 mm Capillary I.D. 1.3 mm*15
Capillary Style	S..... V..... W.....	[Usage] [Sheath style] for general use with PVC sheath without PVC sheath with PVC sheath red-color
Capillary Tube Connection	S.....	for general use
Inner Diaphragm Type	-9..... S..... 2.....	Inner Diaphragm Type Always S Always 2
Diaphragm material	S..... H..... T.....	316L SST Hastelloy C-276*8 Tantalum*16
Wetted Parts Material (Except for Flange)	S..... H..... T.....	316L SST Hastelloy C-276*8 Tantalum
Diaphragm diameter	6.....	Diaphragm O.D: 2.4-inch (61 mm)
Diaphragm option	A..... N..... N.....	Gold-plated diaphragm*7 None Always N
Capillary connection	B.....	Back of diaphragm seal unit
Flange size*3	-6..... -7..... -1.....	1/2-inch (15 mm) 3/4-inch (20 mm) 1-inch (25 mm)
Flange standards	A..... P.....	ANSI JPI
Flange pressure rating	2..... 4.....	class300 class600
Sealing Face	J.....	Ring type joint (RJ)
Flange material (Flange, Pipe, Base, Vent plug, Vent screw)	C..... S.....	316 SST*6 316L SST*6
Flange Usage	-S..... -P..... -H.....	for general use*9 for general use (Gasket material: PTFE Teflon)*10 for high temperature use (Process temperature: 250 to 315°C)*11*12
Vent Plug Style	S..... L..... N..... N.....	for general use (with two vent plugs) *13 With two long vent plugs*14 Without vent plug Always N

Table 4g. Diaphragm material and Sealing face material

Wetted parts material*1	[Diaphragm material]	[Sealing face material]
SS.....	[S] 316L SST	[S] 316L SST
HH.....	[H] Hastelloy C-276*8#	[H] Hastelloy C-276*8#
TT.....	[T] Tantalum	[T] Tantalum

- *1: Users must consider the characteristics of selected wetted parts material and the influence of process fluids. The use of inappropriate materials can result in the leakage of corrosive process fluids and cause injury to personnel and/or damage to plant facilities. It is also possible that the diaphragm itself can be damaged and that material from the broken diaphragm and the fill fluid can contaminate the user's process fluids.
Be very careful with highly corrosive process fluids such as hydrochloric acid, sulfuric acid, hydrogen sulfide, sodium hypochlorite, and high temperature steam (150°C [302°F] or above). Contact Yokogawa for detailed information of the wetted parts material.
 - *2: Not applicable for gauge transmitter and differential transmitter with single seal type.
 - *3: In case where capillary length code 1 (1 m), the model code must be selected for C82FD. Not applicable for C81FD.
 - *4: In case where Model code F81FD is selected, It must be Selected seal system location code B.
 - *5: Refer to section 12 for limitation of capillary length.
 - *6: Forged version of the material may be used.
 - *7: Applicable for Diaphragm material code S and H.
Inside of isolating diaphragms (fill fluid side) are gold plated, effective for hydrogen permeation.
 - *8: Hastelloy C-276 or N10276.
 - *9: Gasket material for transmitter side is 316L SST with PTFE Teflon coating.
 - *10: Applicable for Diaphragm material code T.
 - *11: When selecting Flange usage code H (for High temperature use), Drain/vent are welded to the flange.
 - *12: Not applicable for Diaphragm material code T.
 - *13: Not applicable for Flange usage code H.
 - *14: Total length: 119 mm (standard: 34 mm); Total length when combining with option code K31 and K35: 130 mm.
 - *15: Applicable for capillary length more than 6 m.
- The '#' marks indicate the construction materials conform to NACE material recommendations per MR0175 (2003).
Please refer to latest standards for details.

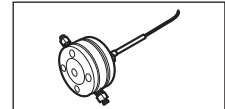
Table 4h. Process temperature and Ambient temperature

	Code	Process temperature*16	Ambient temperature*19	Working pressure	Specific gravity*20
Silicone oil*17*21 (general use)	A	-10 to 315°C (14 to 599°F)	-10 to 60°C (14 to 140°F)	2.7 kPa abs (0.38 psi abs) to flange rating pressure	1.07
Silicone oil*17 (general use)	B	-30 to 210°C (-22 to 410°F)	-30 to 60°C (-22 to 140°F)		0.94
Silicone oil (low temperature use)	F	-70 to 100°C (-94 to 212°F)	-30 to 60°C (-22 to 140°F)	100 kPa abs (atmospheric pressure) to flange pressure rating	0.88
Fluorinated oil*18 (oil-prohibited use)	D	-20 to 120°C (-4 to 248°F)	-10 to 60°C (14 to 140°F)	51 kPa abs (7.4 psi abs) to flange rating pressure	1.90 to 1.92
Ethylene glycol (low temperature use)	E	-50 to 100°C (-58 to 212°F)	-40 to 60°C (-40 to 140°F)	100 kPa abs (atmospheric pressure) to flange pressure rating	1.09
Propylene glycol	P	-10 to 120°C (14 to 248°F)	-10 to 60°C (14 to 140°F)		1.04

Note: The differential pressure transmitter should be installed at least 600 mm below the high pressure (HP) process connection. However, this value (600 mm) may be affected by ambient temperature, operating pressure, fill fluid or material of the wetted diaphragm.
Contact YOKOGAWA when the transmitter can not be installed at least 600 mm below the HP process connection.

- *16: See figure 1a, 1b 'Working Pressure and Process Temperature.'
- *17: In case of diaphragm material code T (Tantalum), process temperature limit is up to 200°C (392°F).
- *18: Even in case where fill fluid code D (fluorinated oil) is selected, if degrease cleansing treatment or both degrease cleansing and dehydrating treatment for the wetted parts is required, specify option code K31 or K35.
- *19: This ambient temperature is the transmitter ambient temperature.
- *20: Approximate values at a temperature of 25°C (77°F)
- *21: For the process where the process temperature exceeds 250°C, specify Flange usage code -H.

**4.5 1/2-inch (15 mm) / 3/4-inch (20 mm) / 1-inch (25 mm)
Adapter connection type, Raised face (RF)
High vacuum / High temp. and high vacuum use
Capillary Connection Style: Back of diaphragm seal unit**



F54E.ai

Model	Suffix Codes	Description
C81FA	Inner Diaphragm, Adapter connection seal (Bundled capillary type)*2
C82FA	Inner Diaphragm, Adapter connection seal (Standard type)
Seal system location	-H..... -L..... -B.....	Standard type for high pressure side Standard type for low pressure side Bundled capillary type (1 m separated)*4
Seal fill fluid	<input type="checkbox"/>	Refer to table 4j.
Transmitter connection type	-S.....	for general use
Capillary length*5	1 2 3 4 5	1 m*3 6 6 m 2 m 7 7 m 3 m 8 8 m 4 m 9 9 m 5 m A 10 m
Capillary inside diameter	2	Capillary I.D. 2.03 mm
Capillary Style		[Usage] [Sheath style]
	S..... V..... W.....	for general use with PVC sheath without PVC sheath with PVC sheath red-color
Capillary Tube Connection	S.....	for general use
Inner Diaphragm Type	-9.....	Inner Diaphragm Type
-----	S.....	Always S
-----	2	Always 2
Diaphragm material	S..... H..... T.....	316L SST Hastelloy C-276*8 Tantalum*16
Wetted Parts Material (Except for Flange)	S..... H..... T.....	316L SST Hastelloy C-276*8 Tantalum
Diaphragm diameter	6	Diaphragm O.D: 2.4-inch (61 mm)
Diaphragm option	A..... N.....	Gold-plated diaphragm*7 None
-----	N.....	Always N
Capillary connection	B.....	Back of diaphragm seal unit
Flange size	-6..... -7..... -1.....	1/2-inch (15 mm) 3/4-inch (20 mm) 1-inch (25 mm)
Flange standards	J..... A..... P.....	JIS ANSI JPI
Flange pressure rating	1 2 4	class150 A 10K class300 B 20K class600 C 30K D 40K
Sealing Face	F..... G.....	Raised face (RF) Flat (no serration) Raised face (RF) With Serration (ANSI B16.5) (for ANSI flange only)

Flange material (Adapter, Vent plug, Vent screw)	C.....	316 SST*6
	S.....	316L SST*6
Flange Usage	-S.....	for general use*9
	-P.....	for general use (Gasket material: PTFE Teflon)*10
	-H.....	for high temperature use (Process temperature: 250 to 315°C)*11*12
Vent Plug Style	S.....	for general use (with two vent plugs) *13
	L.....	With two long vent plugs*14
	N.....	Without vent plug
	N.....	Always N

Note: Stud bolts and nuts are attached for the adapter (Material: Stud bolt...B7, NUT...304 SST)
 In case of differential transmitter with both side diaphragm seal: 2pcs
 In case of differential transmitter with single diaphragm seal or gauge transmitter with diaphragm seal: 1pc

Table 4i. Diaphragm material and Sealing face material

Wetted parts material*1	[Diaphragm material]		[Sealing face material]
	SS.....	[S] 316L SST	[S] 316L SST
	HH.....	[H] Hastelloy C-276*8#	[H] Hastelloy C-276*8#
	TT.....	[T] Tantalum	[T] Tantalum

- *1: Users must consider the characteristics of selected wetted parts material and the influence of process fluids. The use of inappropriate materials can result in the leakage of corrosive process fluids and cause injury to personnel and/or damage to plant facilities. It is also possible that the diaphragm itself can be damaged and that material from the broken diaphragm and the fill fluid can contaminate the user's process fluids.
 Be very careful with highly corrosive process fluids such as hydrochloric acid, sulfuric acid, hydrogen sulfide, sodium hypochlorite, and high temperature steam (150°C [302°F] or above). Contact Yokogawa for detailed information of the wetted parts material.
- *2: Not applicable for gauge transmitter and differential transmitter with single seal type.
- *3: In case where capillary length code 1 (1 m), the model code must be selected for C82FA. Not applicable for C81FA.
- *4: In case where Model code F81FA is selected, It must be Selected seal system location code B.
- *5: Refer to section 12 for limitation of capillary length.
- *6: Forged version of the material may be used.
- *7: Applicable for Diaphragm material code S and H.
 Inside of isolating diaphragms (fill fluid side) are gold plated, effective for hydrogen permeation.
- *8: Hastelloy C-276 or N10276.
- *9: Gasket material for transmitter side is 316L SST with PTFE Teflon coating.
- *10: Applicable for Diaphragm material code T.
- *11: When selecting Flange usage code H (for High temperature use), Drain/vent are welded to the flange.
- *12: Not applicable for Diaphragm material code T.
- *13: Not applicable for Flange usage code H.
- *14: Total length: 119 mm (standard: 34 mm); Total length when combining with option code K31 and K35: 130 mm.
 The '# marks indicate the construction materials conform to NACE material recommendations per MR0175 (2003).
 Please refer to latest standards for details.

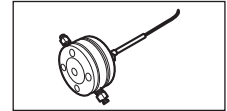
Table 4j. Process temperature and Ambient temperature

	Code	Process temperature*15	Ambient temperature*17	Working pressure	Specific gravity*18
Silicone oil*16 (high temp. and high vacuum use)	1	-10 to 250°C (14 to 482°F)	-10 to 50°C (14 to 122°F)	0.013 kPa abs (0.0019 psi abs) to flange rating pressure	1.07
Silicone oil*19*20 (high temp. and high vacuum use)	2	10 to 315°C (50 to 599°F)	10 to 50°C (50 to 122°F)		1.09
Silicone oil (high vacuum use)	4	-10 to 100°C (14 to 212°F)	-10 to 50°C (14 to 122°F)		1.07

Note: The differential pressure transmitter should be installed at least 600 mm below the high pressure (HP) process connection. However, this value (600 mm) may be affected by ambient temperature, operating pressure, fill fluid or material of the wetted diaphragm.
 Contact YOKOGAWA when the transmitter can not be installed at least 600 mm below the HP process connection.

- *15: See figure 1c, 1d 'Working Pressure and Process Temperature.'
- *16: In case of diaphragm material code T (Tantalum), process temperature limit is up to 200°C (392°F).
- *17: This ambient temperature is the transmitter ambient temperature.
- *18: Approximate values at a temperature of 25°C (77°F)
- *19: For the process where the process temperature exceeds 250°C, specify Flange usage code -H.
- *20: Not applicable for Diaphragm material code T.

**4.6 1/2-inch (15 mm) / 3/4-inch (20 mm) / 1-inch (25 mm)
Adapter connection type, Ring type joint (RJ)
High vacuum / High temp. and high vacuum use
Capillary Connection Style: Back of diaphragm seal unit**



F55E.ai

Model	Suffix Codes	Description
C81FA	Inner Diaphragm, Adapter connection seal (Bundled capillary type)*2
C82FA	Inner Diaphragm, Adapter connection seal (Standard type)
Seal system location	-H..... -L..... -B.....	Standard type for high pressure side Standard type for low pressure side Bundled capillary type (1 m separated)*4
Seal fill fluid	<input type="checkbox"/>	Refer to table 4I.
Transmitter connection type	-S.....	for general use
Capillary length*5	1 2 3 4 5	1 m*3 6 6 m 2 m 7 7 m 3 m 8 8 m 4 m 9 9 m 5 m A 10 m
Capillary inside diameter	2	Capillary I.D. 2.03 mm
Capillary Style		[Usage] [Sheath style]
	S..... V..... W.....	for general use with PVC sheath without PVC sheath with PVC sheath red-color
Capillary Tube Connection	S.....	for general use
Inner Diaphragm Type	-9..... S..... 2.....	Inner Diaphragm Type Always S Always 2
Diaphragm material	S..... H..... T.....	316L SST Hastelloy C-276*8 Tantalum*16
Wetted Parts Material (Except for Flange)	S..... H..... T.....	316L SST Hastelloy C-276*8 Tantalum
Diaphragm diameter	6	Diaphragm O.D: 2.4-inch (61 mm)
Diaphragm option	A..... N..... N.....	Gold-plated diaphragm*7 None Always N
Capillary connection	B	Back of diaphragm seal unit
Flange size	-6..... -7..... -1.....	1/2-inch (15 mm) 3/4-inch (20 mm) 1-inch (25 mm)
Flange standards	A..... P.....	ANSI JPI
Flange pressure rating	2 4	class300 class600
Sealing Face	J	Ring type joint (RJ)
Flange material (Adapter, Vent plug, Vent screw)	C..... S.....	316 SST*6 316L SST*6
Flange Usage	-S..... -P..... -H.....	for general use*9 for general use (Gasket material: PTFE Teflon)*10 for high temperature use*11*12

Vent Plug Style	S	for general use (with two vent plugs) *13
	L	With two long vent plugs*14
	N	Without vent plug
	N	Always N

Note: Stud bolts and nuts are attached for the adapter (Material:Stud bolt...B7, NUT....304 SST)
 In case of differential transmitter with both side diaphragm seal: 2pcs
 In case of differential transmitter with single diaphragm seal or gauge transmitter with diaphragm seal: 1pc

Table 4k. Diaphragm material and Sealing face material

Wetted parts material*1	[Diaphragm material]	[Sealing face material]
SS.....	[S] 316L SST	[S] 316L SST
HH	[H] Hastelloy C-276*8#	[H] Hastelloy C-276*8#
TT	[T] Tantalum	[T] Tantalum

- *1: Users must consider the characteristics of selected wetted parts material and the influence of process fluids. The use of inappropriate materials can result in the leakage of corrosive process fluids and cause injury to personnel and/or damage to plant facilities. It is also possible that the diaphragm itself can be damaged and that material from the broken diaphragm and the fill fluid can contaminate the user's process fluids.
 Be very careful with highly corrosive process fluids such as hydrochloric acid, sulfuric acid, hydrogen sulfide, sodium hypochlorite, and high temperature steam (150°C [302°F] or above). Contact Yokogawa for detailed information of the wetted parts material.
- *2: Not applicable for gauge transmitter and differential transmitter with single seal type.
- *3: In case where capillary length code 1 (1 m), the model code must be selected for C82FA. Not applicable for C81FA.
- *4: In case where Model code F81FA is selected, It must be Selected seal system location code B.
- *5: Refer to section 12 for limitation of capillary length.
- *6: Forged version of the material may be used.
- *7: Applicable for Diaphragm material code S and H.
 Inside of isolating diaphragms (fill fluid side) are gold plated, effective for hydrogen permeation.
- *8: Hastelloy C-276 or N10276.
- *9: Gasket material for transmitter side is 316L SST with PTFE Teflon coating.
- *10: Applicable for Diaphragm material code T.
- *11: When selecting Flange usage code H (for High temperature use), Drain/vent are welded to the flange.
- *12: Not applicable for Diaphragm material code T.
- *13: Not applicable for Flange usage code H.
- *14: Total length: 119 mm (standard: 34 mm); Total length when combining with option code K31 and K35: 130 mm.
 The # marks indicate the construction materials conform to NACE material recommendations per MR0175 (2003).
 Please refer to latest standards for details.

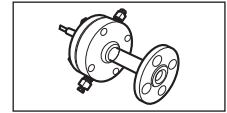
Table 4l. Process temperature and Ambient temperature

	Code	Process temperature*15	Ambient temperature*17	Working pressure	Specific gravity*18
Silicone oil*16 (high temp. and high vacuum use)	1	-10 to 250°C (14 to 482°F)	-10 to 50°C (14 to 122°F)	0.013 kPa abs (0.0019 psi abs) to flange rating pressure	1.07
Silicone oil*19*20 (high temp. and high vacuum use)	2	10 to 315°C (50 to 599°F)	10 to 50°C (50 to 122°F)		1.09
Silicone oil (high vacuum use)	4	-10 to 100°C (14 to 212°F)	-10 to 50°C (14 to 122°F)		1.07

Note: The differential pressure transmitter should be installed at least 600 mm below the high pressure (HP) process connection. However, this value (600 mm) may be affected by ambient temperature, operating pressure, fill fluid or material of the wetted diaphragm.
 Contact YOKOGAWA when the transmitter can not be installed at least 600 mm below the HP process connection.

- *15: See figure 1c, 1d 'Working Pressure and Process Temperature.'
- *16: In case of diaphragm material code T (Tantalum), process temperature limit is up to 200°C (392°F).
- *17: This ambient temperature is the transmitter ambient temperature.
- *18: Approximate values at a temperature of 25°C (77°F)
- *19: For the process where the process temperature exceeds 250°C, specify Flange usage code -H.
- *20: Not applicable for Diaphragm material code T.

**4.7 1/2-inch (15 mm) / 3/4-inch (20 mm) / 1-inch (25 mm)
Flange connection type, Raised face (RF)
High vacuum / High temp. and high vacuum use
Capillary Connection Style: Back of diaphragm seal unit**



F56E.ai

Model	Suffix Codes	Description
C81FD	Inner Diaphragm, Flange connection seal (Bundled capillary type)*2
C82FD	Inner Diaphragm, Flange connection seal (Standard type)
Seal system location	-H -L -B	Standard type for high pressure side Standard type for low pressure side Bundled capillary type (1 m separated)*4
Seal fill fluid	<input type="checkbox"/>	Refer to table 4n.
Transmitter connection type	-S	for general use
Capillary length*5	1 2 3 4 5	1 m*3 6 6 m 2 m 7 7 m 3 m 8 8 m 4 m 9 9 m 5 m A 10 m
Capillary inside diameter	2	Capillary I.D. 2.03 mm
Capillary Style		[Usage] [Sheath style]
	S V W	for general use with PVC sheath without PVC sheath*3 with PVC sheath red-color
Capillary Tube Connection	S	for general use
Inner Diaphragm Type	-9	Inner Diaphragm Type
-----	S	Always S
-----	2	Always 2
Diaphragm material	S H T	316L SST Hastelloy C-276*8 Tantalum*16
Wetted Parts Material (Except for Flange)	S H T	316L SST Hastelloy C-276*8 Tantalum
Diaphragm diameter	6	Diaphragm O.D: 2.4-inch (61 mm)
Diaphragm option	A N	Gold-plated diaphragm*7 None
-----	N	Always N
Capillary connection	B	Back of diaphragm seal unit
Flange size	-6 -7 -1	1/2-inch (15 mm) 3/4-inch (20 mm) 1-inch (25 mm)
Flange standards	J A P	JIS ANSI JPI
Flange pressure rating	1 2 4	class150 A 10K class300 B 20K class600 C 30K D 40K
Sealing Face	F G	Raised face (RF) Flat (no serration) Raised face (RF) With Serration (ANSI B16.5) (for ANSI flange only)

Flange material (Flange, Pipe, Base, Vent plug, Vent screw)	C.....	316 SST*6
	S.....	316L SST*6
Flange Usage	-S.....	for general use*9
	-P.....	for general use (Gasket material: PTFE Teflon)*10
	-H.....	for high temperature use*11*12
Vent Plug Style	S.....	for general use (with two vent plugs) *13
	L.....	With two long vent plugs*14
	N.....	Without vent plug
-----	N.....	Always N

Table 4m. Diaphragm material and Sealing face material

Wetted parts material*1	[Diaphragm material]	[Sealing face material]
SS.....	[S] 316L SST	[S] 316L SST
HH.....	[H] Hastelloy C-276*8#	[H] Hastelloy C-276*8#
TT.....	[T] Tantalum	[T] Tantalum

- *1: Users must consider the characteristics of selected wetted parts material and the influence of process fluids. The use of inappropriate materials can result in the leakage of corrosive process fluids and cause injury to personnel and/or damage to plant facilities. It is also possible that the diaphragm itself can be damaged and that material from the broken diaphragm and the fill fluid can contaminate the user's process fluids.
Be very careful with highly corrosive process fluids such as hydrochloric acid, sulfuric acid, hydrogen sulfide, sodium hypochlorite, and high temperature steam (150°C [302°F] or above). Contact Yokogawa for detailed information of the wetted parts material.
 - *2: Not applicable for gauge transmitter and differential transmitter with single seal type.
 - *3: In case where capillary length code 1 (1 m), the model code must be selected for C82FD. Not applicable for C81FD.
 - *4: In case where Model code F81FD is selected, It must be Selected seal system location code B.
 - *5: Refer to section 12 for limitation of capillary length.
 - *6: Forged version of the material may be used.
 - *7: Applicable for Diaphragm material code S and H.
Inside of isolating diaphragms (fill fluid side) are gold plated, effective for hydrogen permeation.
 - *8: Hastelloy C-276 or N10276.
 - *9: Gasket material for transmitter side is 316L SST with PTFE Teflon coating.
 - *10: Applicable for Diaphragm material code T.
 - *11: When selecting Flange usage code H (for High temperature use), Drain/vent are welded to the flange.
 - *12: Not applicable for Diaphragm material code T.
 - *13: Not applicable for Flange usage code H.
 - *14: Total length: 119 mm (standard: 34 mm); Total length when combining with option code K31 and K35: 130 mm.
- The '#' marks indicate the construction materials conform to NACE material recommendations per MR0175 (2003).
Please refer to latest standards for details.

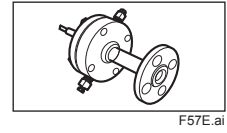
Table 4n. Process temperature and Ambient temperature

	Code	Process temperature*15	Ambient temperature*17	Working pressure	Specific gravity*18
Silicone oil*16 (high temp. and high vacuum use)	1	-10 to 250°C (14 to 482°F)	-10 to 50°C (14 to 122°F)	0.013 kPa abs (0.0019 psi abs) to flange rating pressure	1.07
Silicone oil*19*20 (high temp. and high vacuum use)	2	10 to 315°C (50 to 599°F)	10 to 50°C (50 to 122°F)		1.09
Silicone oil (high vacuum use)	4	-10 to 100°C (14 to 212°F)	-10 to 50°C (14 to 122°F)		1.07

Note: The differential pressure transmitter should be installed at least 600 mm below the high pressure (HP) process connection. However, this value (600 mm) may be affected by ambient temperature, operating pressure, fill fluid or material of the wetted diaphragm.
Contact YOKOGAWA when the transmitter can not be installed at least 600 mm below the HP process connection.

- *15: See figure 1c, 1d 'Working Pressure and Process Temperature.'
- *16: In case of diaphragm material code T (Tantalum), process temperature limit is up to 200°C (392°F).
- *17: This ambient temperature is the transmitter ambient temperature.
- *18: Approximate values at a temperature of 25°C (77°F)
- *19: For the process where the process temperature exceeds 250°C, specify Flange usage code -H.
- *20: Not applicable for Diaphragm material code T.

**4.8 1/2-inch (15 mm) / 3/4-inch (20 mm) / 1-inch (25 mm)
Flange connection type, Ring type joint (RJ)
High vacuum / High temp. and high vacuum use
Capillary Connection Style: Back of diaphragm seal unit**



Model	Suffix Codes	Description
C81FD	Inner Diaphragm, Flange connection seal (Bundled capillary type)*2
C82FD	Inner Diaphragm, Flange connection seal (Standard type)
Seal system location	-H..... -L..... -B.....	Standard type for high pressure side Standard type for low pressure side Bundled capillary type (1 m separated)*4
Seal fill fluid	<input type="checkbox"/>	Refer to table 4p.
Transmitter connection type	-S.....	for general use
Capillary length*5	1 2 3 4 5	1 m*3 6 6 m 2 m 7 7 m 3 m 8 8 m 4 m 9 9 m 5 m A 10 m
Capillary inside diameter	2	Capillary I.D. 2.03 mm
Capillary Style		[Usage] [Sheath style]
	S..... V..... W.....	for general use with PVC sheath without PVC sheath with PVC sheath red-color
Capillary Tube Connection	S.....	for general use
Inner Diaphragm Type	-9..... S..... 2.....	Inner Diaphragm Type Always S Always 2
Diaphragm material	S..... H..... T.....	316L SST Hastelloy C-276*8 Tantalum*16
Wetted Parts Material (Except for Flange)	S..... H..... T.....	316L SST Hastelloy C-276*8 Tantalum
Diaphragm diameter	6.....	Diaphragm O.D: 2.4-inch (61 mm)
Diaphragm option	A..... N..... N.....	Gold-plated diaphragm*7 None Always N
Capillary connection	B.....	Back of diaphragm seal unit
Flange size	-6..... -7..... -1.....	1/2-inch (15 mm) 3/4-inch (20 mm) 1-inch (25 mm)
Flange standards	A..... P.....	ANSI JPI
Flange pressure rating	2..... 4.....	class300 class600
Sealing Face	J.....	Ring type joint (RJ)
Flange material (Flange, Pipe, Base, Vent plug, Vent screw)	C..... S.....	316 SST*6 316L SST*6
Flange Usage	-S..... -P..... -H.....	for general use*9 for general use (Gasket material: PTFE Teflon)*10 for high temperature use*11*12
Vent Plug Style	S..... L..... N..... N.....	for general use (with two vent plugs) *13 With two long vent plugs*14 Without vent plug Always N

Table 4o. Diaphragm material and Sealing face material

Wetted parts material*1	[Diaphragm material]	[Sealing face material]
SS.....	[S] 316L SST	[S] 316L SST
HH.....	[H] Hastelloy C-276*8#	[H] Hastelloy C-276*8#
TT.....	[T] Tantalum	[T] Tantalum

- *1: Users must consider the characteristics of selected wetted parts material and the influence of process fluids. The use of inappropriate materials can result in the leakage of corrosive process fluids and cause injury to personnel and/or damage to plant facilities. It is also possible that the diaphragm itself can be damaged and that material from the broken diaphragm and the fill fluid can contaminate the user's process fluids.
Be very careful with highly corrosive process fluids such as hydrochloric acid, sulfuric acid, hydrogen sulfide, sodium hypochlorite, and high temperature steam (150°C [302°F] or above). Contact Yokogawa for detailed information of the wetted parts material.
- *2: Not applicable for gauge transmitter and differential transmitter with single seal type.
- *3: In case where capillary length code 1 (1 m), the model code must be selected for C82FD. Not applicable for C81FD.
- *4: In case where Model code F81FD is selected, it must be Selected seal system location code B.
- *5: Refer to section 12 for limitation of capillary length.
- *6: Forged version of the material may be used.
- *7: Applicable for Diaphragm material code S and H.
Inside of isolating diaphragms (fill fluid side) are gold plated, effective for hydrogen permeation.
- *8: Hastelloy C-276 or N10276.
- *9: Gasket material for transmitter side is 316L SST with PTFE Teflon coating.
- *10: Applicable for Diaphragm material code T.
- *11: When selecting Flange usage code H (for High temperature use), Drain/vent are welded to the flange.
- *12: Not applicable for Diaphragm material code T.
- *13: Not applicable for Flange usage code H.
- *14: Total length: 119 mm (standard: 34 mm); Total length when combining with option code K31 and K35: 130 mm.
The #marks indicate the construction materials conform to NACE material recommendations per MR0175 (2003).
Please refer to latest standards for details.

Table 4p. Process temperature and Ambient temperature

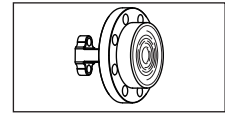
	Code	Process temperature*15	Ambient temperature*17	Working pressure	Specific gravity*18
Silicone oil*16 (high temp. and high vacuum use)	1	-10 to 250°C (14 to 482°F)	-10 to 50°C (14 to 122°F)	0.013 kPa abs (0.0019 psi abs) to flange rating pressure	1.07
Silicone oil*19*20 (high temp. and high vacuum use)	2	10 to 315°C (50 to 599°F)	10 to 50°C (50 to 122°F)		1.09
Silicone oil (high vacuum use)	4	-10 to 100°C (14 to 212°F)	-10 to 50°C (14 to 122°F)		1.07

Note: The differential pressure transmitter should be installed at least 600 mm below the high pressure (HP) process connection. However, this value (600 mm) may be affected by ambient temperature, operating pressure, fill fluid or material of the wetted diaphragm.
Contact YOKOGAWA when the transmitter can not be installed at least 600 mm below the HP process connection.

- *15: See figure 1c, 1d 'Working Pressure and Process Temperature.'
- *16: In case of diaphragm material code T (Tantalum), process temperature limit is up to 200°C (392°F).
- *17: This ambient temperature is the transmitter ambient temperature.
- *18: Approximate values at a temperature of 25°C (77°F)
- *19: For the process where the process temperature exceeds 250°C, specify Flange usage code -H.
- *20: Not applicable for Diaphragm material code T.

5. Direct Mount Flanged Diaphragm Seal (Flush type)

5.1 3-inch (80 mm) / 2-inch (50 mm) Raised face (RF)



F58E.ai

Model	Suffix Codes	Description
C20FW	Direct mount flanged diaphragm seal (Flush type)
Seal system location	-H..... -P..... -S.....	for high pressure side*2 for Master side (High pressure side)*3 for Slave side (Low pressure side)*3
Seal fill fluid	<input type="checkbox"/>	Refer to table 5b.
Transmitter connection type	-S..... N.....	for general use Always N
Capillary inside diameter	2..... N.....	Capillary I.D. 2.03 mm Always N
Stay style	S..... L.....	for general use for high temperature use (long type)*4
Process connection size*5	-3..... -2.....	3-inch (80 mm) 2-inch (50 mm)
Sealing face	F.....	Raised face (RF)
Gasket contact surface	1..... 2.....	Serration (ANSI B16.5) (for ANSI flange with sealing face material C and S) Flat (no serration)
Diaphragm material*1	S..... H..... T..... U.....	316L SST Hastelloy C-276*9 Tantalum*11 Titanium
		M..... Monel K..... Nickel V..... 316L SST (Thickness: 0.0055 inch (0.14 mm)) J..... Hastelloy C-276*9 (Thickness: 0.006 inch (0.15 mm))
Sealing face material*1	S..... H..... T.....	316L SST Hastelloy C-276*9 Tantalum
		M..... Monel K..... Nickel
Diaphragm diameter	9..... 6.....	Diaphragm O.D: 3.54-inch (90 mm) Diaphragm O.D: 2.4-inch (61 mm)
Diaphragm option	A..... P..... N.....	Gold-plated diaphragm*7 With platinum plate*8 None
	N.....	Always N
Capillary connection	B.....	Always B
Flange size*5	-3..... -2.....	3-inch (80 mm) 2-inch (50 mm)
Flange standards	J..... A..... P..... D.....	JIS ANSI JPI DIN
Flange pressure rating	1..... 2..... 4.....	class150 class300 class600
		A..... 10K B..... 20K D..... 40K H..... PN10/16 K..... PN25/40
Flange type	S.....	for general use
Flange material	A..... B..... C..... S.....	JIS S25C 304 SST*6 316 SST*6 316L SST*6
Extended outside diameter	-0.....	None
Extended length	0.....	None
	N.....	Always N

Table 5a. Diaphragm material and Sealing face material

Wetted parts material*1		[Diaphragm material]	[Sealing face material]
Process connection size 3-inch (80 mm)	SS.....	[S] 316L SST	[S] 316L SST
	HH.....	[H] Hastelloy C-276*9#	[H] Hastelloy C-276*9#
	TT.....	[T] Tantalum	[T] Tantalum
	UU.....	[U] Titanium	[U] Titanium
	MM.....	[M] Monel	[M] Monel
	KK.....	[K] Nickel	[K] Nickel
	VS.....	[V] 316L (Thickness: 0.0055 inch (0.14 mm))	[S] 316L SST
Process connection size 2-inch (50 mm)	JH.....	[J] Hastelloy C-276*9# (Thickness: 0.006 inch (0.15 mm))	[H] Hastelloy C-276*9#
	SS.....	[S] 316L SST	[S] 316L SST
	HS.....	[H] Hastelloy C-276*9#	[S] 316L SST
	HH.....	[H] Hastelloy C-276*9#	[H] Hastelloy C-276*9#
	TT.....	[T] Tantalum	[T] Tantalum
	UU.....	[U] Titanium	[U] Titanium
	MM.....	[M] Monel	[M] Monel
KK.....	[K] Nickel	[K] Nickel	

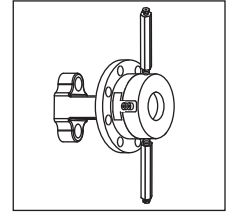
- *1: Users must consider the characteristics of selected wetted parts material and the influence of process fluids. The use of inappropriate materials can result in the leakage of corrosive process fluids and cause injury to personnel and/or damage to plant facilities. It is also possible that the diaphragm itself can be damaged and that material from the broken diaphragm and the fill fluid can contaminate the user's process fluids.
Be very careful with highly corrosive process fluids such as hydrochloric acid, sulfuric acid, hydrogen sulfide, sodium hypochlorite, and high temperature steam (150°C [302°F] or above). Contact Yokogawa for detailed information of the wetted parts material.
 - *2: Applicable for EJXC50A, EJAC50E, EJXC80A and EJAC80E.
 - *3: Applicable for EJXC40A.
 - *4: Applicable for EJXC80A and EJAC80E with Seal fill fluid code A.
 - *5: Not applicable to different size between Process connection size and Flange size.
 - *6: Forged version of the material may be used.
 - *7: Applicable for Diaphragm material code S and H.
Inside of isolating diaphragms (fill fluid side) are gold plated, effective for hydrogen permeation.
 - *8: Applicable for Diaphragm material code T.
 - *9: Hastelloy C-276 or N10276.
- The '#' marks indicate the construction materials conform to NACE material recommendations per MR0175 (2003). Please refer to latest standards for details.

Table 5b. Process temperature and Ambient temperature

	Code	Process temperature*10	Ambient temperature*13	Working pressure	Specific gravity*14
Silicone oil*11 (general use)	A	-10 to 315°C (14 to 599°F)	-10 to 85°C (14 to 185°F)	2.7 kPa abs (0.38 psi abs) to flange rating pressure	1.07
Silicone oil*11*13 (general use)	B	-40 to 210°C (-40 to 410°F)	-40 to 85°C (-40 to 185°F)		0.94
Silicone oil (low temperature use)	F	-70 to 100°C (-94 to 212°F)	-40 to 85°C (-40 to 185°F)	100 kPa abs (atmospheric pressure) to flange pressure rating	0.88
Fluorinated oil*12 (oil-prohibited use)	D	-20 to 120°C (-4 to 248°F)	-20 to 80°C (-4 to 176°F)	51 kPa abs (7.4 psi abs) to flange rating pressure	1.90 to 1.92
Ethylene glycol (low temperature use)	E	-50 to 100°C (-58 to 212°F)	-40 to 85°C (-40 to 185°F)	100 kPa abs (atmospheric pressure) to flange pressure rating	1.09
Propylene glycol	P	-10 to 120°C (14 to 248°F)	-10 to 85°C (14 to 185°F)		1.04

- *10: See figure 1e, 1f 'Working Pressure and Process Temperature.'
- *11: In case of diaphragm material code T (Tantalum), process temperature limit is up to 200°C (392°F).
- *12: Even in case where fill fluid code D (fluorinated oil) is selected, if degrease cleansing treatment or both degrease cleansing and dehydrating treatment for the wetted parts is required, specify option code K31 or K35.
- *13: This ambient temperature is the transmitter ambient temperature. See figure 1g and 1h.
- *14: Approximate values at a temperature of 25°C (77°F)

5.2 1 1/2-inch (40 mm) Raised face (RF)



F59E.ai

Model	Suffix Codes	Description
C20FW	Direct mount flanged diaphragm seal (Flush type)
Seal system location	-H	for high pressure side*2
	-P	for Master side (High pressure side)*3
	-S	for Slave side (Low pressure side)*3
Seal fill fluid	<input type="checkbox"/>	Refer to table 5d.
Transmitter connection type	-S	for general use
	N	Always N
Capillary inside diameter	2	Capillary I.D. 2.03 mm
	N	Always N
Stay style	S	for general use
	L	for high temperature use (long type)*4
Process connection size	-8	1 1/2-inch (40 mm)
Sealing face	F	Raised face (RF)
Gasket contact surface	2	Flat (no serration)
Diaphragm material*1	S	316L SST
	H	Hastelloy C-276*7#
Sealing face material*1	S	316L SST
	H	Hastelloy C-276*7#
Diaphragm diameter	6	Diaphragm O.D: 2.4-inch (61 mm)
Diaphragm option	A	Gold-plated diaphragm*6
	N	None
.....	N	Always N
Capillary connection	B	Always B
Flange size	-8	1 1/2-inch (40 mm)
Flange standards	J	JIS
	A	ANSI
	P	JPI
Flange pressure rating	1	class150 A 10K
	2	class300 B 20K
	4	class600 D 40K
Flange type	S	for general use
Flange material	A	JIS S25C
	B	304 SST*5
	C	316 SST*5
	S	316L SST*5
Extended outside diameter	-0	None
Extended length	0	None
.....	N	Always N

Note) 40A (1 1/2B) is a reducer type. C10FR (Flushing connection ring) is always necessary to be specified with this size.

Table 5c. Diaphragm material and Sealing face material

Wetted parts material*1	[Diaphragm material]	[Sealing face material]
HS	[H] Hastelloy C-276*7#	[S] 316L SST
SS.....	[S] 316L SST	[S] 316L SST
HH	[H] Hastelloy C-276*7#	[H] Hastelloy C-276*7#

*1: Users must consider the characteristics of selected wetted parts material and the influence of process fluids. The use of inappropriate materials can result in the leakage of corrosive process fluids and cause injury to personnel and/or damage to plant facilities. It is also possible that the diaphragm itself can be damaged and that material from the broken diaphragm and the fill fluid can contaminate the user's process fluids.
Be very careful with highly corrosive process fluids such as hydrochloric acid, sulfuric acid, hydrogen sulfide, sodium hypochlorite, and high temperature steam (150°C [302°F] or above). Contact Yokogawa for detailed information of the wetted parts material.

*2: Applicable for EJXC50A, EJAC50E, EJXC80A and EJAC80E.

*3: Applicable for EJXC40A.

*4: Applicable for EJXC80A and EJAC80E with Seal fill fluid code A.

*5: Forged version of the material may be used.

*6: Inside of isolating diaphragms (fill fluid side) are gold plated, effective for hydrogen permeation.

*7: Hastelloy C-276 or N10276.

The # marks indicate the construction materials conform to NACE material recommendations per MR0175 (2003). Please refer to latest standards for details.

Table 5d. Process temperature and Ambient temperature

	Code	Process temperature*8	Ambient temperature*10	Working pressure	Specific gravity*11
Silicone oil*12 (general use)	A	-10 to 315°C (14 to 599°F)	-10 to 85°C (14 to 185°F)	2.7 kPa abs (0.38 psi abs) to flange rating pressure	1.07
Silicone oil*12 (general use)	B	-40 to 210°C (-40 to 410°F)	-40 to 85°C (-40 to 185°F)		0.94
Silicone oil (low temperature use)	F	-70 to 100°C (-94 to 212°F)	-40 to 85°C (-40 to 185°F)	100 kPa abs (atmospheric pressure) to flange pressure rating	0.88
Fluorinated oil*9 (oil-prohibited use)	D	-20 to 120°C (-4 to 248°F)	-20 to 80°C (-4 to 176°F)	51 kPa abs (7.4 psi abs) to flange rating pressure	1.90 to 1.92
Ethylene glycol (low temperature use)	E	-50 to 100°C (-58 to 212°F)	-40 to 85°C (-40 to 185°F)	100 kPa abs (atmospheric pressure) to flange pressure rating	1.09
Propylene glycol	P	-10 to 120°C (14 to 248°F)	-10 to 85°C (14 to 185°F)		1.04

*8: See figure 1e, 1f 'Working Pressure and Process Temperature.'

*9: Even in case where fill fluid code D (fluorinated oil) is selected, if degrease cleansing treatment or both degrease cleansing and dehydrating treatment for the wetted parts is required, specify option code K31 or K35.

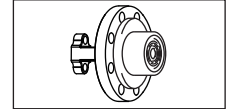
*10: This ambient temperature is the transmitter ambient temperature. See figure 1g and 1h.

*11: Approximate values at a temperature of 25°C (77°F)

*12: For the process where the process temperature exceeds 250°C, specify gasket usage code -H of C10FR flushing connection ring.

6. Direct Mount Flanged Diaphragm Seal (Extended type)

6.1 4-inch (100 mm) / 3-inch (80 mm) Raised face (RF)



F60E.ai

Model	Suffix Codes	Description
C20FE	Direct mount flanged diaphragm seal (Extended type)
Seal system location	-H	for high pressure side*2
	-P	for Master side (High pressure side)*3
	-S	for Slave side (Low pressure side)*3
Seal fill fluid	<input type="checkbox"/>	Refer to table 6b.
Transmitter connection type	-S	for general use
	N	Always N
Capillary inside diameter	2	Capillary I.D. 2.03 mm
	N	Always N
Stay style	S	for general use
	L	for high temperature use (long type)*4
Process connection size*5	-4	4-inch (100 mm)
	-3	3-inch (80 mm)
Sealing face	F	Raised face (RF)
Gasket contact surface	1	Serration (ANSI B16.5) (for ANSI flange with sealing face material C and S)
	2	Flat (no serration)
Diaphragm material*1	S	316L SST
	H	Hastelloy C-276*9
	T	Tantalum*11
Sealing face material*1 (PIPE, BASE)	V	316L SST (Thickness: 0.0055 inch (0.14 mm))
	J	Hastelloy C-276*9 (Thickness: 0.006 inch (0.15 mm))
Diaphragm diameter	C	316 SST
	S	316L SST
	H	Hastelloy C-276*9
Diaphragm option	9	Diaphragm O.D: 3.54-inch (90 mm)
	6	Diaphragm O.D: 2.4-inch (61 mm)
Diaphragm option	A	Gold-plated diaphragm*7
	P	With platinum plate*8
	N	None
.....	N	Always N
Capillary connection	B	Always B
Flange size*5	-4	4-inch (100 mm)
	-3	3-inch (80 mm)
Flange standards	J	JIS
	A	ANSI
	P	JPI
	D	DIN
Flange pressure rating	1	class150 A 10K H PN10/16
	2	class300 B 20K K PN25/40
	4	class600 D 40K
Flange type	S	for general use
Flange material	A	JIS S25C
	B	304 SST*6
	C	316 SST*6
	S	316L SST*6
Extended outside diameter	-4	3.78±0.02 inch (96±0.5 mm)
	-3	2.8±0.02 inch (71±0.5 mm)

Extended length	2	Length (X2) = 1.97±0.02 inch (50±0.5 mm)
	4	Length (X2) = 3.94±0.02 inch (100±0.5 mm)
	6	Length (X2) = 5.91±0.02 inch (150±0.5 mm)
	8	Length (X2) = 7.87±0.03 inch (200±0.8 mm)
-----	N	Always N

Table 6a. Diaphragm material and Sealing face material

Wetted parts material*1		[Diaphragm material]	[Sealing face material]
Process connection size 4-inch (100 mm)	SC	[S] 316L SST	[C] 316 SST*10
	SS	[S] 316L SST	[S] 316L SST
	HS	[H] Hastelloy C-276*9#	[S] 316L SST
	HH	[H] Hastelloy C-276*9#	[H] Hastelloy C-276*9#
	TS	[T] Tantalum	[S] 316L SST
	VC	[V] 316L (Thickness: 0.0055 inch (0.14 mm))	[C] 316 SST*10
	VS	[V] 316L (Thickness: 0.0055 inch (0.14 mm))	[S] 316L SST
	JC	[J] Hastelloy C-276*9# (Thickness: 0.006 inch (0.15 mm))	[C] 316 SST
	JS	[J] Hastelloy C-276*9# (Thickness: 0.006 inch (0.15 mm))	[S] 316L SST
	JH	[J] Hastelloy C-276*9# (Thickness: 0.006 inch (0.15 mm))	[H] Hastelloy C-276*9#
Process connection size 3-inch (80 mm)	HC	[H] Hastelloy C-276*9#	[C] 316 SST*10
	SS	[S] 316L SST	[S] 316L SST
	HS	[H] Hastelloy C-276*9#	[S] 316L SST
	HH	[H] Hastelloy C-276*9#	[H] Hastelloy C-276*9#
	TS	[T] Tantalum	[S] 316L SST

- *1: Users must consider the characteristics of selected wetted parts material and the influence of process fluids. The use of inappropriate materials can result in the leakage of corrosive process fluids and cause injury to personnel and/or damage to plant facilities. It is also possible that the diaphragm itself can be damaged and that material from the broken diaphragm and the fill fluid can contaminate the user's process fluids.
Be very careful with highly corrosive process fluids such as hydrochloric acid, sulfuric acid, hydrogen sulfide, sodium hypochlorite, and high temperature steam (150°C [302°F] or above). Contact Yokogawa for detailed information of the wetted parts material.
 - *2: Applicable for EJXC50A, EJAC50E, EJXC80A and EJAC80E.
 - *3: Applicable for EJXC40A.
 - *4: Applicable for EJXC80A and EJAC80E with Seal fill fluid code A.
 - *5: Not applicable to different size between Process connection size and Flange size.
 - *6: Forged version of the material may be used.
 - *7: Applicable for Diaphragm material code S and H.
Inside of isolating diaphragms (fill fluid side) are gold plated, effective for hydrogen permeation.
 - *8: Applicable for Diaphragm material code T.
 - *9: Hastelloy C-276 or N10276.
 - *10: Pipe and base material are 316 SST, Block material is 316L SST.
- The #marks indicate the construction materials conform to NACE material recommendations per MR0175 (2003). Please refer to latest standards for details.

Table 6b. Process temperature and Ambient temperature

	Code	Process temperature*10	Ambient temperature*13	Working pressure	Specific gravity*14
Silicone oil*11 (general use)	A	-10 to 315°C (14 to 599°F)	-10 to 85°C (14 to 185°F)	2.7 kPa abs (0.38 psi abs) to flange rating pressure	1.07
Silicone oil*11*13 (general use)	B	-40 to 210°C (-40 to 410°F)	-40 to 85°C (-40 to 185°F)		0.94
Silicone oil (low temperature use)	F	-70 to 100°C (-94 to 212°F)	-40 to 85°C (-40 to 185°F)	100 kPa abs (atmospheric pressure) to flange pressure rating	0.88
Fluorinated oil*12 (oil-prohibited use)	D	-20 to 120°C (-4 to 248°F)	-20 to 80°C (-4 to 176°F)	51 kPa abs (7.4 psi abs) to flange rating pressure	1.90 to 1.92
Ethylene glycol (low temperature use)	E	-50 to 100°C (-58 to 212°F)	-40 to 85°C (-40 to 185°F)	100 kPa abs (atmospheric pressure) to flange pressure rating	1.09
Propylene glycol	P	-10 to 120°C (14 to 248°F)	-10 to 85°C (14 to 185°F)		1.04

*10: See figure 1e, 1f 'Working Pressure and Process Temperature.'

*11: In case of diaphragm material code T (Tantalum), process temperature limit is up to 200°C (392°F).

*12: Even in case where fill fluid code D (fluorinated oil) is selected, if degrease cleansing treatment or both degrease cleansing and dehydrating treatment for the wetted parts is required, specify option code K31 or K35.

*13: This ambient temperature is the transmitter ambient temperature. See figure 1g and 1h.

*14: Approximate values at a temperature of 25°C (77°F)

Table 7a. Diaphragm material and Sealing face material

Wetted parts material*1	[Diaphragm material]		[Sealing face material]
	SS.....	[S] 316L SST	[S] 316L SST
	HS	[H] Hastelloy C-276*3#	[S] 316L SST

*1: Users must consider the characteristics of selected wetted parts material and the influence of process fluids. The use of inappropriate materials can result in the leakage of corrosive process fluids and cause injury to personnel and/or damage to plant facilities. It is also possible that the diaphragm itself can be damaged and that material from the broken diaphragm and the fill fluid can contaminate the user's process fluids.
Be very careful with highly corrosive process fluids such as hydrochloric acid, sulfuric acid, hydrogen sulfide, sodium hypochlorite, and high temperature steam (150°C [302°F] or above). Contact Yokogawa for detailed information of the wetted parts material.

*2: Refer to section 12 for limitation of capillary length.

*3: Hastelloy C-276 or N10276.

*4: Electro polishing for all wetted parts (Diaphragm and Block).

*5: Buffing for Block of wetted part except diaphragm. (JIS-standard: #400)

*6: Clamp and gasket are not required, all of the code are selected "N".

The '#' marks indicate the construction materials conform to NACE material recommendations per MR0175 (2003). Please refer to latest standards for details.

Table 7b. Process temperature and Ambient temperature

	Code	Process temperature*7	Ambient temperature*8	Working pressure	Specific gravity*9
Silicone oil (general use)	B	-10 to 120°C (14 to 248°F)	-10 to 60°C (14 to 140°F)	2.7 kPa abs (0.38 psi abs) to 1MPaG	0.94
Propylene glycol	P	-10 to 120°C (14 to 248°F)	-10 to 60°C (14 to 140°F)	100 kPa abs (atmospheric pressure) to 1MPaG	1.04

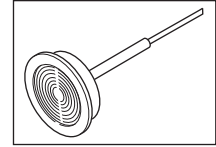
*7: See figure 1i 'Working Pressure and Process Temperature.'

*8: This ambient temperature is the transmitter ambient temperature.

*9: Approximate values at a temperature of 25°C (77°F)

*10: Applicable for process connection size code "3" with capillary length more than 6 m.

7.2 ISO51Clamp Flush type



F62.ai

Model	Suffix Codes		Description	
C70SW		Remote Mount Hygienic Diaphragm Seal (Flush type)	
Seal system location	-H		for high pressure side	
	-L		for low pressure side	
Seal fill fluid	<input type="checkbox"/>		Refer to table 7d	
Transmitter connection type	-S		for general use	
Capillary length*2	1		1 m	
	2		2 m	
	3		3 m	
	4		4 m	
	5		5 m	
Capillary inside diameter	1		Capillary I.D. 1.3 mm	
Capillary Style			[Usage] [Sheath style]	
	S		for general use with PVC sheath	
	V		without PVC sheath	
	W		with PVC sheath red-color	
Capillary Tube Connection	S		for general use (Length:200 mm)	
	C		Short type (Length:100 mm)	
Process connection size	-22		ISO51	
Process Connection Style	C		Clamp connection	
	2		Always 2	
Diaphragm material	S		316L SST	
	H		Hastelloy C-276*3	
Sealing face material	S		316L SST	
Diaphragm diameter	4		Diaphragm O.D: 1.57-inch (40 mm)	
	N		Always N	
Sealing Face Option	E		Electro polishing*4	
	B		Buffing*5	
	C		Buffing and electro polishing*4*5	
	N		None	
Capillary connection	B		Always B	
Accessories*6 Clamp and Gasket	Clamp size	-2	ISO51	
		-N	None	
	Standards and Connection Style	C		ISO Clamp for Flush type (Clamp Maximum Working Pressure: 1 MPa (145 psi))
		N		None
		N		Always N
	Gasket material	E		EPDM (Ethylene Propylene Rubber)
N			None	
	N		Always N	
Extended Outside Diameter	-0		None	
Extended Length	0		None	
	N		Always N	

Table 7c. Diaphragm material and Sealing face material

Wetted parts material*1	[Diaphragm material]		[Sealing face material]
	SS.....	[S] 316L SST	[S] 316L SST
	HS	[H] Hastelloy C-276*3#	[S] 316L SST

*1: Users must consider the characteristics of selected wetted parts material and the influence of process fluids. The use of inappropriate materials can result in the leakage of corrosive process fluids and cause injury to personnel and/or damage to plant facilities. It is also possible that the diaphragm itself can be damaged and that material from the broken diaphragm and the fill fluid can contaminate the user's process fluids.
Be very careful with highly corrosive process fluids such as hydrochloric acid, sulfuric acid, hydrogen sulfide, sodium hypochlorite, and high temperature steam (150°C [302°F] or above). Contact Yokogawa for detailed information of the wetted parts material.

*2: Refer to section 12 for limitation of capillary length.

*3: Hastelloy C-276 or N10276.

*4: Electro polishing for all wetted parts (Diaphragm and Block).

*5: Buffing for Block of wetted part except diaphragm. (JIS-standard: #400)

*6: Clamp and gasket are not required, all of the code are selected "N".

The '#' marks indicate the construction materials conform to NACE material recommendations per MR0175 (2003). Please refer to latest standards for details.

Table 7d. Process temperature and Ambient temperature

	Code	Process temperature*7	Ambient temperature*8	Working pressure	Specific gravity*9
Silicone oil (general use)	B	-10 to 120°C (14 to 248°F)	-10 to 60°C (14 to 140°F)	2.7 kPa abs (0.38 psi abs) to 1MPaG	0.94
Propylene glycol	P	-10 to 120°C (14 to 248°F)	-10 to 60°C (14 to 140°F)	100 kPa abs (atmospheric pressure) to 1MPaG	1.04

*7: See figure 1i 'Working Pressure and Process Temperature.'

*8: This ambient temperature is the transmitter ambient temperature.

*9: Approximate values at a temperature of 25°C (77°F)

Table 7e. Diaphragm material and Sealing face material

Wetted parts material*1	[Diaphragm material]		[Sealing face material]*11
	SS.....	[S] 316L SST	[S] 316L SST
	HS	[H] Hastelloy C-276*3#	[S] 316L SST

*1: Users must consider the characteristics of selected wetted parts material and the influence of process fluids. The use of inappropriate materials can result in the leakage of corrosive process fluids and cause injury to personnel and/or damage to plant facilities. It is also possible that the diaphragm itself can be damaged and that material from the broken diaphragm and the fill fluid can contaminate the user's process fluids.
Be very careful with highly corrosive process fluids such as hydrochloric acid, sulfuric acid, hydrogen sulfide, sodium hypochlorite, and high temperature steam (150°C [302°F] or above). Contact Yokogawa for detailed information of the wetted parts material.

*2: Refer to section 12 for limitation of capillary length.

*3: Hastelloy C-276 or N10276.

*4: Electro polishing for all wetted parts (Diaphragm and Block).

*5: Buffing for Block of wetted part except diaphragm. (JIS-standard: #400)

*6: Clamp and gasket are not required, all of the code are selected "N".

The '#' marks indicate the construction materials conform to NACE material recommendations per MR0175 (2003). Please refer to latest standards for details.

Table 7f. Process temperature and Ambient temperature

	Code	Process temperature*7	Ambient temperature*8	Working pressure	Specific gravity*9
Silicone oil (general use)	B	-10 to 120°C (14 to 248°F)	-10 to 60°C (14 to 140°F)	2.7 kPa abs (0.38 psi abs) to 1MPaG	0.94
Propylene glycol	P	-10 to 120°C (14 to 248°F)	-10 to 60°C (14 to 140°F)	100 kPa abs (atmospheric pressure) to 1MPaG	1.04

*7: See figure 1i 'Working Pressure and Process Temperature.'

*8: This ambient temperature is the transmitter ambient temperature.

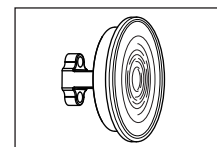
*9: Approximate values at a temperature of 25°C (77°F)

*10: Applicable for process connection size code "3" with capillary length more than 6 m.

*11: Pipe material (non-wetted parts): 316 SST

8. Direct Mount Hygienic Diaphragm Seal

8.1 ISO101.6 / ISO76.1 Clamp Flush type



F64E.ai

Model	Suffix Codes		Description	
C30SW		Direct Mount Hygienic Diaphragm Seal (Flush type)	
Seal system location	-H		for high pressure side*2	
	-P		for Master side (High pressure side)*3	
	-S		for Slave side (Low pressure side)*3	
Seal fill fluid	<input type="checkbox"/>		Refer to table 8b.	
Transmitter connection type	-S		for general use	
	N		Always N	
Capillary inside diameter	2		Capillary I.D. 2.03 mm	
	N		Always N	
Stay style	S		for general use	
Process connection size	-3		ISO76.1	
	-4		ISO101.6	
Process Connection Style	C		Clamp connection	
	2		Always 2	
Diaphragm material	S		316L SST	
	H		Hastelloy C-276*4	
Sealing face material	S		316L SST	
Diaphragm diameter	9		Diaphragm O.D: 3.54-inch (90 mm)	
	6		Diaphragm O.D: 2.4-inch (61 mm)	
	N		Always N	
Sealing Face Option	E		Electro polishing*5	
	B		Buffing*6	
	C		Buffing and electro polishing*5*6	
	N		None	
Capillary connection	B		Always B	
Accessories*7 Clamp and Gasket	Clamp size	-3	ISO76.1	
		-4	ISO101.6	
		-N	None	
	Standards and Connection Style	C		ISO Clamp for Flush type (Clamp Maximum Working Pressure: 1 MPa (145 psi))
		N		None
		N		Always N
	Gasket material	E		EPDM (Ethylene Propylene Rubber)
N			None	
	N		Always N	
Extended Outside Diameter	-0		None	
Extended Length	0		None	
	N		Always N	

Table 8a. Diaphragm material and Sealing face material

Wetted parts material*1	[Diaphragm material]		[Sealing face material]
	SS.....	[S] 316L SST	[S] 316L SST
	HS	[H] Hastelloy C-276*4#	[S] 316L SST

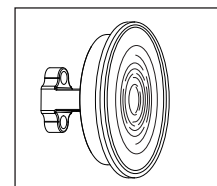
- *1: Users must consider the characteristics of selected wetted parts material and the influence of process fluids. The use of inappropriate materials can result in the leakage of corrosive process fluids and cause injury to personnel and/or damage to plant facilities. It is also possible that the diaphragm itself can be damaged and that material from the broken diaphragm and the fill fluid can contaminate the user's process fluids.
Be very careful with highly corrosive process fluids such as hydrochloric acid, sulfuric acid, hydrogen sulfide, sodium hypochlorite, and high temperature steam (150°C [302°F] or above). Contact Yokogawa for detailed information of the wetted parts material.
 - *2: Applicable for EJXC80A, EJAC80E, EJXC50A and EJAC50E.
 - *3: Applicable for EJXC40A.
 - *4: Hastelloy C-276 or N10276.
 - *5: Electro polishing for all wetted parts (Diaphragm and Block).
 - *6: Buffing for Block of wetted part except diaphragm. (JIS-standard: #400)
 - *7: Clamp and gasket are not required, all of the code are selected "N".
- The '#' marks indicate the construction materials conform to NACE material recommendations per MR0175 (2003). Please refer to latest standards for details.

Table 8b. Process temperature and Ambient temperature

	Code	Process temperature*8	Ambient temperature*9	Working pressure	Specific gravity*10
Silicone oil (general use)	B	-10 to 120°C (14 to 248°F)	-10 to 60°C (14 to 140°F)	2.7 kPa abs (0.38 psi abs) to 1MPaG	0.94
Propylene glycol	P	-10 to 120°C (14 to 248°F)	-10 to 60°C (14 to 140°F)	100 kPa abs (atmospheric pressure) to 1MPaG	1.04

- *8: See figure 1i 'Working Pressure and Process Temperature.'
- *9: This ambient temperature is the transmitter ambient temperature.
- *10: Approximate values at a temperature of 25°C (77°F)

8.2 ISO51 Clamp Flush type



F65.ai

Model	Suffix Codes		Description
C30SW		Direct Mount Hygienic Diaphragm Seal (Flush type)
Seal system location	-H		for high pressure side
Seal fill fluid	<input type="checkbox"/>		Refer to table 8d.
Transmitter connection type	-S		for general use
-----	N		Always N
Capillary inside diameter	2		Capillary I.D. 2.03 mm
-----	N		Always N
Stay style	S		for general use
Process connection size	-2		ISO51
Process Connection Style	C		Clamp connection
-----	2		Always 2
Diaphragm material	S H		316L SST Hastelloy C-276*2
Sealing face material	S		316L SST
Diaphragm diameter	4		Diaphragm O.D: 1.57-inch (40 mm)
-----	N		Always N
Sealing Face Option	E B C N		Electro polishing*3 Buffing*4 Buffing and electro polishing*3*4 None
Capillary connection	B		Always B
Accessories*5 Clamp and Gasket	Clamp size	-2 -N	ISO51 None
	Standards and Connection Style	C N	ISO Clamp for Flush type (Clamp Maximum Working Pressure: 1 MPa (145 psi)) None None
	-----	N	Always N
	Gasket material	E N	EPDM (Ethylene Propylene Rubber) None
	-----	N	Always N
Extended Outside Diameter	-0		None
Extended Length	0		None
-----	N		Always N

Table 8c. Diaphragm material and Sealing face material

Wetted parts material*1	[Diaphragm material]		[Sealing face material]
	SS.....	[S] 316L SST	[S] 316L SST
HS	[H] Hastelloy C-276*2#	[S] 316L SST	

*1: Users must consider the characteristics of selected wetted parts material and the influence of process fluids. The use of inappropriate materials can result in the leakage of corrosive process fluids and cause injury to personnel and/or damage to plant facilities. It is also possible that the diaphragm itself can be damaged and that material from the broken diaphragm and the fill fluid can contaminate the user's process fluids.
Be very careful with highly corrosive process fluids such as hydrochloric acid, sulfuric acid, hydrogen sulfide, sodium hypochlorite, and high temperature steam (150°C [302°F] or above). Contact Yokogawa for detailed information of the wetted parts material.

*2: Hastelloy C-276 or N10276.

*3: Electro polishing for all wetted parts (Diaphragm and Block).

*4: Buffing for Block of wetted part except diaphragm. (JIS-standard: #400)

*5: Clamp and gasket are not required, all of the code are selected "N".

The # marks indicate the construction materials conform to NACE material recommendations per MR0175 (2003).

Please refer to latest standards for details.

Table 8d. Process temperature and Ambient temperature

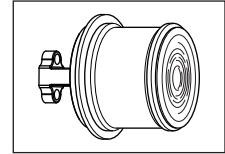
	Code	Process temperature*6	Ambient temperature*7	Working pressure	Specific gravity*8
Silicone oil (general use)	B	-10 to 120°C (14 to 248°F)	-10 to 60°C (14 to 140°F)	2.7 kPa abs (0.38 psi abs) to 1MPaG	0.94
Propylene glycol	P	-10 to 120°C (14 to 248°F)	-10 to 60°C (14 to 140°F)	100 kPa abs (atmospheric pressure) to 1MPaG	1.04

*6: See figure 1i 'Working Pressure and Process Temperature.'

*7: This ambient temperature is the transmitter ambient temperature.

*8: Approximate values at a temperature of 25°C (77°F)

8.3 ISO101.6 / ISO76.1 Clamp Extended type



F66E.ai

Model	Suffix Codes		Description	
C30SE		Direct Mount Hygienic Diaphragm Seal (Extended type)	
Seal system location	-H		for high pressure side*2	
	-P		for Master side (High pressure side)*3	
	-S		for Slave side (Low pressure side)*3	
Seal fill fluid	<input type="checkbox"/>		Refer to table 8f.	
Transmitter connection type	-S		for general use	
	N		Always N	
Capillary inside diameter	2		Capillary I.D. 2.03 mm	
	N		Always N	
Stay style	S		for general use	
Process connection size	-3		ISO76.1	
	-4		ISO101.6	
Process Connection Style	C		Clamp connection	
	2		Always 2	
Diaphragm material	S		316L SST	
	H		Hastelloy C-276*4	
Sealing face material*8	S		316L SST	
Diaphragm diameter	9		Diaphragm O.D: 3.54-inch (90 mm)	
	6		Diaphragm O.D: 2.4-inch (61 mm)	
.....	N		Always N	
Sealing Face Option	E		Electro polishing*5	
	B		Buffing*6	
	C		Buffing and electro polishing*5*6	
	N		None	
Capillary connection	B		Always B	
Accessories*7 Clamp and O-ring	Clamp size	-3	ISO76.1	
		-4	ISO101.6	
		-N	None	
	Standards and Connection Style	D		ISO Clamp for Extended type (Clamp Maximum Working Pressure: 1 MPa (145 psi))
		N		None
	N		Always N
	O-ring material	E		EPDM (Ethylene Propylene Rubber)
		N		None
.....	N		Always N	
Extended Outside Diameter	-3		3.00 inch (76.1 mm)	
	-4		4.00 inch (101.6 mm)	
Extended Length	2		Length (X2) = 2.05 inch (52 mm)	
	4		Length (X2) = 4.02 inch (102 mm)	
.....	N		Always N	

Table 8e. Diaphragm material and Sealing face material

Wetted parts material*1	[Diaphragm material]		[Sealing face material]*8
	SS.....	[S] 316L SST	[S] 316L SST
	HS	[H] Hastelloy C-276*4#	[S] 316L SST

*1: Users must consider the characteristics of selected wetted parts material and the influence of process fluids. The use of inappropriate materials can result in the leakage of corrosive process fluids and cause injury to personnel and/or damage to plant facilities. It is also possible that the diaphragm itself can be damaged and that material from the broken diaphragm and the fill fluid can contaminate the user's process fluids.
Be very careful with highly corrosive process fluids such as hydrochloric acid, sulfuric acid, hydrogen sulfide, sodium hypochlorite, and high temperature steam (150°C [302°F] or above). Contact Yokogawa for detailed information of the wetted parts material.

*2: Applicable for EJXC80A, EJAC80E, EJXC50A and EJAC50E.

*3: Applicable for EJXC40A.

*4: Hastelloy C-276 or N10276.

*5: Electro polishing for all wetted parts (Diaphragm and Block).

*6: Buffing for Block of wetted part except diaphragm. (JIS-standard: #400)

*7: Clamp and gasket are not required, all of the code are selected "N".

*8: Pipe material (non-wetted parts): 316 SST.

The '#'marks indicate the construction materials conform to NACE material recommendations per MR0175 (2003). Please refer to latest standards for details.

Table 8f. Process temperature and Ambient temperature

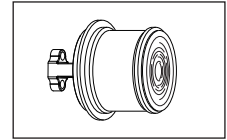
	Code	Process temperature*9	Ambient temperature*10	Working pressure	Specific gravity*11
Silicone oil (general use)	B	-10 to 120°C (14 to 248°F)	-10 to 60°C (14 to 140°F)	2.7 kPa abs (0.38 psi abs) to 1MPaG	0.94
Propylene glycol	P	-10 to 120°C (14 to 248°F)	-10 to 60°C (14 to 140°F)	100 kPa abs (atmospheric pressure) to 1MPaG	1.04

*9: See figure 1i 'Working Pressure and Process Temperature.'

*10: This ambient temperature is the transmitter ambient temperature.

*11: Approximate values at a temperature of 25°C (77°F)

8.4 ISO51 Clamp Extended type



F67.ai

Model	Suffix Codes	Description	
C30SE	Direct Mount Hygienic Diaphragm Seal (Extended type)	
Seal system location	-H	for high pressure side	
Seal fill fluid	<input type="checkbox"/>	Refer to table 8h.	
Transmitter connection type	-S	for general use	
-----	N	Always N	
Capillary inside diameter	2	Capillary I.D. 2.03 mm	
-----	N	Always N	
Stay style	S	for general use	
Process connection size	-2	ISO51	
Process Connection Style	C	Clamp connection	
-----	2	Always 2	
Diaphragm material	S	316L SST	
	H	Hastelloy C-276*2	
Sealing face material*6	S	316L SST	
Diaphragm diameter	2	Diaphragm O.D: 1.57-inch (40 mm)	
-----	N	Always N	
Sealing Face Option	E	Electro polishing*3	
	B	Buffing*4	
	C	Buffing and electro polishing*3*4	
	N	None	
Capillary connection	B	Always B	
Accessories*5 Clamp and O-ring	Clamp size	-2	ISO51
		-N	None
	Standards and Connection Style	D	ISO Clamp for Extended type (Clamp Maximum Working Pressure: 1 MPa (145 psi))
		N	None
	-----	N	Always N
O-ring material	E	EPDM (Ethylene Propylene Rubber)	
	N	None	
	-----	N	Always N
Extended Outside Diameter	-2	2.00 inch (51 mm)	
Extended Length	2	Length (X2) = 2.05 inch (52 mm)	
	4	Length (X2) = 4.02 inch (102 mm)	
-----	N	Always N	

Table 8g. Diaphragm material and Sealing face material

Wetted parts material*1	[Diaphragm material]		[Sealing face material]*6
	SS.....	[S] 316L SST	[S] 316L SST
	HS	[H] Hastelloy C-276*2#	[S] 316L SST

*1: Users must consider the characteristics of selected wetted parts material and the influence of process fluids. The use of inappropriate materials can result in the leakage of corrosive process fluids and cause injury to personnel and/or damage to plant facilities. It is also possible that the diaphragm itself can be damaged and that material from the broken diaphragm and the fill fluid can contaminate the user's process fluids.
 Be very careful with highly corrosive process fluids such as hydrochloric acid, sulfuric acid, hydrogen sulfide, sodium hypochlorite, and high temperature steam (150°C [302°F] or above). Contact Yokogawa for detailed information of the wetted parts material.

*2: Hastelloy C-276 or N10276.

*3: Electro polishing for all wetted parts (Diaphragm and Block).

*4: Buffing for Block of wetted part except diaphragm. (JIS-standard: #400)

*5: Clamp and gasket are not required, all of the code are selected "N".

*6: Pipe material (non-wetted parts): 316 SST.

The '#'marks indicate the construction materials conform to NACE material recommendations per MR0175 (2003). Please refer to latest standards for details.

Table 8h. Process temperature and Ambient temperature

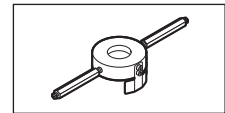
	Code	Process temperature*7	Ambient temperature*8	Working pressure	Specific gravity*9
Silicone oil (general use)	B	-10 to 120°C (14 to 248°F)	-10 to 60°C (14 to 140°F)	2.7 kPa abs (0.38 psi abs) to 1MPaG	0.94
Propylene glycol	P	-10 to 120°C (14 to 248°F)	-10 to 60°C (14 to 140°F)	100 kPa abs (atmospheric pressure) to 1MPaG	1.04

*7: See figure 1i 'Working Pressure and Process Temperature.'

*8: This ambient temperature is the transmitter ambient temperature.

*9: Approximate values at a temperature of 25°C (77°F)

9. Flushing Connection Ring



F68E.ai

Model	Suffix Codes	Description	
C10FR	Flushing connection ring	
System location	-H	for high pressure side*3*4	
	-L	for Low pressure side*4	
	-P	for Master side (High pressure side)*5	
	-S	for Slave side (Low pressure side)*5	
Structure	S	for flush type	
Usage	-S	for general use	
	-H	for High temperature use*1 (Process temperature: 250 to 315°C)	
	-1	for High temperature and High vacuum use (Process temperature : -10 to 250°C)	
	-2	for High temperature and High vacuum use*2*10 (Process temperature : +10 to 315°C)	
	-4	for High vacuum use (Process temperature : -10 to 100°C)	
Process connection size*6	3	3-inch (80 mm)	
	2	2-inch (50 mm)	
	8	1 1/2-inch (40 mm)*9	
Wetted parts material	C	316 SST	
	S	316L SST	
	H	Hastelloy C-276*11	
Flange standard	J	JIS	
	A	ANSI	
	P	JPI	
	D	DIN	
Flange pressure rating	1	class150 A 10K H PN10/16	
	2	class300 B 20K K PN25/40	
	4	class600 C 30K L PN64	
	5	class 900 D 40K	
	6	class 1500 E 63K	
	Sealing face	F	Raised face (RF)
J		Ring type joint (RJ)*6*8	
Gasket contact surface	1	Serration (ANSI B16.5) (for ANSI flange with wetted parts material C and S)	
	2	Flat (no serration)	
Number of Vent Plug (s)	2	Two vent/drain Plugs	
Vent Plug Screw Type	1	With R1/4 Vent Plug*13	
	3	With 1/4NPT Vent Plug	
Vent Plug Style	L	Long vent plug	
-----	N	Always N	
Accessories*7	Gasket Usage	-S	for general use
		-H	for High temperature use*1*14 (Process temperature: 250 to 315°C)
-N		None	
Gasket	Gasket Size*6	3	3-inch (80 mm)
		2	2-inch (50 mm)
		8	1 1/2-inch (40 mm)
		N	None

Accessories*7	Gasket Material (Spiral Gasket)		[Hoop]	[Filler]*12
Gasket		C.....	316 SST	PTFE Teflon
		S.....	316L SST	PTFE Teflon
		H.....	Hastelloy C-276*11	PTFE Teflon
		N.....	None	
-----		N.....	Always N	

Table 9a. Combination for C10FR and C□0FW diaphragm material code

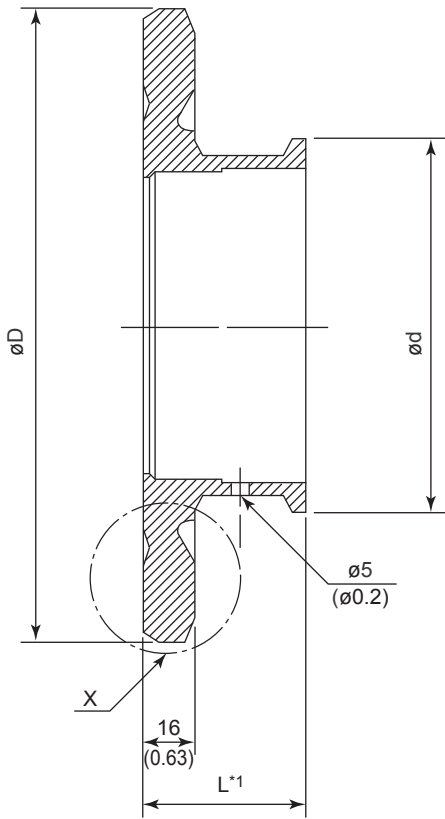
Diaphragm material code		C10FR Wetted parts material code		
		"C" 316 SST	"S" 316L SST	"H" Hastelloy C-276
S	316L SST	●	●	●
H	Hastelloy C-276*11#	●	●	●
T	Tantalum	-	-	-
U	Titanium	-	-	-
M	Monel	-	-	-
K	Nickel	-	-	-
V	316L SST (Thickness: 0.0055 inch (0.14 mm))	●	●	●
J	Hastelloy C-276*11# (Thickness: 0.006 inch (0.15 mm))	●	●	●

●: Applicable, -: Not applicable

- *1: When selecting Gasket usage code H (for high temperature use), drain/vent are welded to the ring.
- *2: When selecting Gasket usage code 2 (for high temperature and high vacuum use), drain/vent are welded to the ring.
- *3: Applicable for EJXC81A, EJAC81E, EJXC50A and EJAC50E.
- *4: Applicable for EJXC80A and EJAC80E.
- *5: Applicable for EJXC40A.
- *6: Not applicable to different process connection size between C10FR and C□0FW.
- *7: Not attached Gasket. Gasket code is always "N"
- *8: In case where sealing face code J (Ring type joint), the gasket contact surface code must be selected 2.
- *9: Not applicable for sealing face code J (Ring type joint).
- *10: Not applicable for Wetted parts material code H.
- *11: Hastelloy C-276 or ASTM N10276
- *12: When specified usage code H, filler material is Inorganic type.
- *13: Not applicable for gasket contact surface code 1.
- *14: Not applicable for optional code /K31 and /K35.

10. Tank Spud

Model	Suffix Codes	Description	
TS	Tank Spud	
Extended Length (L)	-E.....	2 inch (50 mm) for ISO 101.6 Clamp	
	-F.....	4 inch (100 mm) for ISO 101.6 Clamp	
	-J.....	2 inch (50 mm) for ISO76.1 Clamp	
	-K.....	4 inch (100 mm) for ISO76.1 Clamp	
	-G.....	2 inch (50 mm) for ISO51 Clamp	
	-H.....	4 inch (100 mm) for ISO51 Clamp	
Material	U.....	304 SST	
	V.....	316 SST	
	W.....	316L SST	
Plate thickness	A.....	0.63 inch (16 mm)	for ISO 101.6 Clamp or ISO 76.1 Clamp
	B.....	0.47 inch (12 mm)	
	C.....	0.32 inch (8 mm)	
	D.....	0.63 inch (16 mm)	for ISO51 Clamp
	E.....	0.47 inch (12 mm)	
	F.....	0.32 inch (8 mm)	

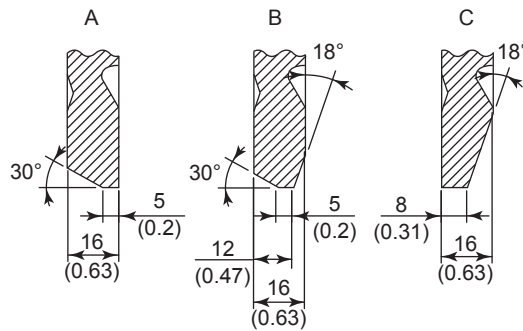


*1: L is 50 mm (2 inch) or 100 mm (4 inch).

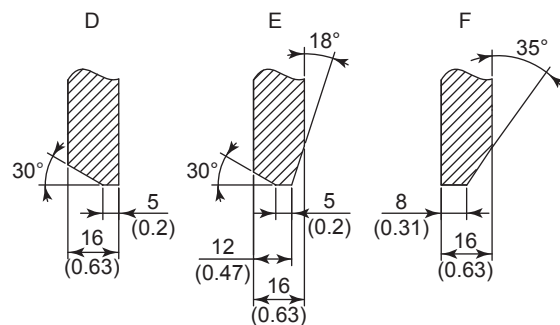
Detail of X

Unit: mm (approx. inch)

- With a groove to avoid welding distortion
Welding Part Plate Thickness Code: A, B or C



- No groove to avoid welding distortion
Welding Part Plate Thickness Code: D, E or F



F69E.ai

	øD	ød
ISO101.6 Clamp	7.87 inch (200 mm)	4.69 inch (119 mm)
ISO76.1 Clamp	5.91 inch (150 mm)	3.58 inch (91 mm)
ISO51 Clamp	4.33 inch (110 mm)	2.52 inch (64 mm)

11. OPTIONAL SPECIFICATIONS

- EJXC80A, EJAC80E Diaphragm Seal System

EJXC81A, EJAC81E Absolute Pressure Diaphragm Seal System

Item	Description		Code		
Operating temperature correction*6	Adjusting range: 80°C to Maximum temperature of specified fill fluid		R		
Oil-prohibited use	Degrease cleansing treatment		K21		
Oil-prohibited use with dehydrating treatment	Degrease cleansing and dehydrating treatment		K25		
Material certificate	[Low pressure side] Process connector		M1C		
	[High pressure side] Process connector		M2C		
Pressure test/ Leak test certificate*1 Nitrogen (N2) Gas*2 Retention time: one minute	[Flange rating]		[Test pressure]		
	For Differential pressure transmitter	JIS 10K	2 MPa (290 psi)	T51	
		JIS 20K	5 MPa (720 psi)	T54	
		JIS 30K	8 MPa (1160 psi)	T56	
		JIS 40K	10 MPa (1450 psi)	T57	
		JIS 63K	16 MPa (2300 psi)	T58	
		JIS 30K, 40K	7 MPa (1000 psi)*4	T55	
		ANSI/JPI class 150	3 MPa (430 psi)	T52	
		ANSI/JPI class 300	8 MPa (1160 psi)	T56	
		ANSI/JPI class 600, 900, 1500	16 MPa (2300 psi)	T58	
		ANSI/JPI class 300, 600, 900, 1500	7 MPa (1000 psi)*4	T55	
		DIN PN10/16	3 MPa (430 psi)	T52	
		DIN PN25/40	7 MPa (1000 psi)	T55	
		DIN PN64	10 MPa (1450 psi)	T57	
	For Gauge/ absolute pressure transmitter	For A-Capsule	JIS 10K	2 MPa (290 psi)	T51
			JIS 20K, 30K, 40K, 63K	3.5 MPa (720 psi)	T53
			ANSI/JPI class 150	3 MPa (430 psi)	T52
			ANSI/JPI class 300, 600, 900, 1500	3.5 MPa (720 psi)	T53
			DIN PN10/16	3 MPa (430 psi)	T52
			DIN PN25/40, PN64	3.5 MPa (720 psi)	T53
		For B-Capsule	JIS 10K	2 MPa (290 psi)	T51
			JIS 20K	5 MPa (720 psi)	T54
			JIS 30K	8 MPa (1160 psi)	T56
			JIS 40K	10 MPa (1450 psi)	T57
			JIS 63K	16 MPa (2300 psi)	T58
	JIS 30K, 40K		7 MPa (1000 psi)*4	T55	
	ANSI/JPI class 150		3 MPa (430 psi)	T52	
ANSI/JPI class 300	8 MPa (1160 psi)		T56		
ANSI/JPI class 600, 900, 1500	16 MPa (2300 psi)		T58		
ANSI/JPI class 300, 600, 900, 1500	7 MPa (1000 psi)*4		T55		
DIN PN10/16	3 MPa (430 psi)		T52		
DIN PN25/40	7 MPa (1000 psi)	T55			
DIN PN64	10 MPa (1450 psi)	T57			
Absolute pressure transmitter For M-Capsule		50 kPa (200 inH ₂ O)	T04		

● **EJXC40A Digital Remote Sensored Diaphragm Seal System**

Item	Description			Code
DRS Cable	Cable length 15 m			EC1
	Cable length 30 m			EC3
	Cable length 45 m			EC5
Oil-prohibited use	Degrease cleansing treatment			K21
Oil-prohibited use with dehydrating treatment	Degrease cleansing and dehydrating treatment			K25
Pressure test/ Leak test certificate*1*7 Nitrogen (N2) Gas*2 Retention time: one minute		[Flange rating]	[Test pressure]	
	For A-Capsule	JIS 10K, 20K, 40K	200 kPa (29 psi)	T72
		ANSI/JPI Class 150, 300, 600		
		DIN PN10/16, PN25/40		
	For B-Capsule	JIS 10K, 20K, 40K	2 MPa (290 psi)	T51
		ANSI/JPI Class 150, 300, 600		
		DIN PN10/16, PN25/40		
	For C-Capsule	JIS 10K	2 MPa (290 psi)	T51
		JIS 20K	5 MPa (720 psi)	T54
		JIS 40K	10 MPa (1450 psi)	T57
		JIS 40K	7 MPa (1000 psi)*5	T55
		ANSI/JPI Class 150	3 MPa (430 psi)	T52
		ANSI/JPI Class 300	8 MPa (1160 psi)	T56
		ANSI/JPI Class 600	10 MPa (1450 psi)	T57
		ANSI/JPI Class 300, 600	7 MPa (1000 psi)*5	T55
DIN PN10/16		3MPa(430 psi)	T52	
DIN PN25/40		7MPa(1000 psi)	T55	

● **EJXC50A, EJAC50E Direct Mounted Diaphragm Seal System**

Item	Description			Code
Oil-prohibited use	Degrease cleansing treatment			K21
Oil-prohibited use with dehydrating treatment	Degrease cleansing and dehydrating treatment			K25
Pressure test/ Leak test certificate*1 Nitrogen (N2) Gas*2 Retention time: one minute		[Flange rating]	[Test pressure]	
	For A-Capsule	JIS 10K, 20K, 40K	200 kPa (29 psi)	T72
		ANSI/JPI Class 150, 300, 600		
		DIN PN10/16, PN25/40		
	For B-Capsule	JIS 10K, 20K, 40K	2 MPa (290 psi)	T51
		ANSI/JPI Class 150, 300, 600		
		DIN PN10/16, PN25/40		
	For C-Capsule	JIS 10K	2 MPa (290 psi)	T51
		JIS 20K	5 MPa (720 psi)	T54
		JIS 40K	10 MPa (1450 psi)	T57
		JIS 40K	7 MPa (1000 psi)*3	T55
		ANSI/JPI Class 150	3 MPa (430 psi)	T52
		ANSI/JPI Class 300	8 MPa (1160 psi)	T56
		ANSI/JPI Class 600	10 MPa (1450 psi)	T57
		ANSI/JPI Class 300, 600	7 MPa (1000 psi)*3	T55
DIN PN10/16		3MPa(430 psi)	T52	
DIN PN25/40		7MPa(1000 psi)	T55	

- *1: The unit on the certificate is always Pa regardless of selection of option code D1, D3, or D4.
- *2: Dry nitrogen gas is used for oil-prohibited use (option code K21 and K25).
- *3: Applicable for extended type (Model code C20FE).
- *4: Applicable when C80FE or C20FE (extended type diaphragm seal) is specified with either/both high and low pressure side on transmitters.
- *5: Applicable when C20FE (extended type diaphragm seal) is specified with either/both master (high pressure side) and slave (low pressure side) on transmitters.
- *6: Specify the process operating temperature for zero correction. Example: Zero correction by process temperature 90°C.
- *7: When combination type (Screw and Flange) is selected, apply flange side pressure value to test certificate.

● **C80FW, C80FE Flanged Diaphragm Seal**

Item	Description		Code
Oil-prohibited use	Degrease cleansing treatment		K31
Oil-prohibited use with dehydrating treatment	Degrease cleansing and dehydrating treatment		K35
Material certificate	For Flush type (C80FW)	Process flange, Block	MCW
		Process flange, Block, Diaphragm	MDW
		Flange, Block, Diaphragm, Seal ring*11, Capillary	MHW
	For Extended type (C80FE)	Process flange, Block, Pipe, Base	MCE
		Process flange, Block, Pipe, Base, Diaphragm	MDE
		Flange, Block, Pipe, Base, Diaphragm, Seal ring*11, Capillary	MHE
Teflon film*8*9*10 (Applicable for C80FW)	Diaphragm protection from sticky process fluid by FEP Teflon film attached with fluorinated oil. Operation range: 20 to 150°C, 0 to 2 MPa (Not applicable for vacuum service).		TF1

● **C81FA, C81FD Inner Diaphragm type Flanged Diaphragm Seal (Bundled capillary type)**

Item	Description		Code
Oil-prohibited use	Degrease cleansing treatment		K31
Oil-prohibited use with dehydrating treatment	Degrease cleansing and dehydrating treatment		K35
Material certificate	For C81FA Adapter connection type	Adapter (Flange), Block	MCB
		Adapter (Flange), Block, Diaphragm	MDB
		Adapter (Flange), Block, Bolt for Block, Stud bolt and nut	MLB
		Adapter (Flange), Block, Bolt for Block, Stud bolt and nut, Diaphragm	MMB
		Adaptor, Block, Bolt for block, Stud bolt and nut, Diaphragm, Capillary, Seal ring, Vent and Draing plug, Vent screw*12	MSB
	For C81FD Flange connection type	Flange, Base, Block, Pipe	MCF
		Flange, Base, Block, Pipe, Diaphragm	MDF
		Flange, Base, Block, Pipe, Bolt for block	MLF
		Flange, Base, Block, Pipe, Bolt for block, Diaphragm	MMF
		Flange, Base, Block, Pipe, Bolt for block, Diaphragm, Capillary, Seal ring, Vent and Drain plug, Vent screw*12	MSF

● **C82FA, C82FD Inner Diaphragm type Flanged Diaphragm Seal (Standard type)**

Item	Description		Code
Oil-prohibited use	Degrease cleansing treatment		K31
Oil-prohibited use with dehydrating treatment	Degrease cleansing and dehydrating treatment		K35
Material certificate	For C82FA Adapter connection type	Adapter (Flange), Block	MCA
		Adapter (Flange), Block, Diaphragm	MDA
		Adapter (Flange), Block, Bolt for Block, Stud bolt and nut	MLA
		Adapter (Flange), Block, Bolt for Block, Stud bolt and nut, Diaphragm	MMA
		Adaptor, Block, Bolt for block, Stud bolt and nut, Diaphragm, Capillary, Seal ring, Vent and Draing plug, Vent screw*12	MSA
	For C82FD Flange connection type	Flange, Base, Block, Pipe	MCD
		Flange, Base, Block, Pipe, Diaphragm	MDD
		Flange, Base, Block, Pipe, Bolt for block	MLD
		Flange, Base, Block, Pipe, Bolt for block, Diaphragm	MMD
		Flange, Base, Block, Pipe, Bolt for block, Diaphragm, Capillary, Seal ring, Vent and Drain plug, Vent screw*12	MSD

● **C20FW, C20FE Direct Mount Flanged Diaphragm Seal**

Item	Description		Code
Oil-prohibited use	Degrease cleansing treatment		K31
Oil-prohibited use with dehydrating treatment	Degrease cleansing and dehydrating treatment		K35
Material certificate	For Flush type (C20FW)	Process flange, Block	MCW
		Process flange, Block, Diaphragm	MDW
		Flange, Block, Diaphragm, Seal ring*11, Capillary	MHW
	For Extended type (C20FE)	Process flange, Block, Pipe, Base	MCE
		Process flange, Block, Pipe, Base, Diaphragm	MDE
		Flange, Block, Pipe, Base, Diaphragm, Seal ring*11, Capillary	MHE
Teflon film*8 (Applicable for C20FW)	Diaphragm protection from sticky process fluid by FEP Teflon film attached with fluorinated oil. Operation range: 20 to 150°C, 0 to 2 MPa (Not applicable for vacuum service).		TF1

● **C30SW, C30SE Direct Mount Hygienic Diaphragm Seal**

Item	Description		Code
Oil-prohibited use	Degrease cleansing treatment		K31
	Degrease cleansing treatment and certificate		K81
Material certificate	For Flush type (C30SW)	Block	MPW
		Block, Diaphragm	MQW
	For Extended type (C30SE)	Block	MPE
		Block, Diaphragm	MQE
Certificate	Electro polishing		Y1
	Buffing		Y2
	Buffing and Electro polishing		Y4

● **C10FR Flushing connection ring**

Item	Description	Code
Oil-prohibited use	Degrease cleansing treatment	K31
Oil-prohibited use with dehydrating treatment	Degrease cleansing and dehydrating treatment	K35
Material certificate	Ring	M0R
	Ring, Vent and drain plug, Vent screw	M1R

*8: Not applicable for combination with C10FR (Flushing connection ring).

*9: Not applicable for High vacuum use (fill fluid code: 1, 2, 4)

*10: Not applicable for Absolute pressure diaphragm seal system (Mode code: EJXC81A and EJAC81E)

*11: Not applicable for diaphragm material code T.

*12: Drain and vent plug is not applicable for vent plug style code N.

12. PERFORMANCE SPECIFICATIONS

Specification Conformance

EJX and EJA-E series ensures specification conformance to at least $\pm 3\sigma$.

12.1 EJXC80A Diaphragm Seal System

Zero-based calibrated span, linear output, diaphragm material code S for diaphragm diameter code 9, fill fluid code B. and capillary length of 5 m.

For Fieldbus and PROFIBUS PA communication types, use calibrated range instead of span in the following specifications.

**Applicable Products (Transmitter): EJX110A (Differential pressure transmitter) with both side diaphragm seal
EJX110A (Differential pressure transmitter) with Compensating capillary type**

Measurement span		M	H	V
Reference accuracy	$X \leq \text{span}$	$\pm 0.15\%$ of Span	$\pm 0.15\%$ of Span	
	$X > \text{span}$	$\pm (0.02 + 0.013 \text{ URL}/\text{span})\%$ of Span	$\pm (0.085 + 0.013 \text{ URL}/\text{span})\%$ of Span	$\pm (0.085 + 0.0065 \text{ URL}/\text{span})\%$ of Span
Ambient Temperature Effects per 28°C (50°F) Change		$\pm (0.25\% \text{ Span} + 0.06\% \text{ URL})$		
Static Pressure Effects per 0.69 MPa (100 psi) Change		Span Effects: $\pm 0.02\%$ of span Effect on Zero: $\pm 0.014\%$ of URL		

**Applicable Products (Transmitter): EJX110A (Differential pressure transmitter) with one-side diaphragm seal
EJX110A (Differential pressure transmitter) with combination seal type
Direct mount with remote seal type**

Measurement span		M	H	V
Reference accuracy	$X \leq \text{span}$	$\pm 0.15\%$ of Span	$\pm 0.15\%$ of Span	
	$X > \text{span}$	$\pm (0.02 + 0.013 \text{ URL}/\text{span})\%$ of Span	$\pm (0.085 + 0.013 \text{ URL}/\text{span})\%$ of Span	$\pm (0.085 + 0.0065 \text{ URL}/\text{span})\%$ of Span
Ambient Temperature Effects per 28°C (50°F) Change		$\pm (0.5\% \text{ Span} + 0.12\% \text{ URL})$		
Static Pressure Effects per 0.69 MPa (100 psi) Change		Span Effects: $\pm 0.04\%$ of span Effect on Zero: $\pm 0.028\%$ of URL		

Square Root Output Accuracy

The square root accuracy is a percent of flow span

Output	Accuracy
50% or Greater	Same as reference accuracy
50% to Dropout point	$\frac{\text{Reference accuracy} \times 50}{\text{Square root output}} (\%)$

Measurement span	M	H	V
X	10 kPa (40 inH ₂ O)	100 kPa (400 inH ₂ O)	1.4 MPa (200 psi)
URL (upper range limit)	100 kPa (400 inH ₂ O)	500 kPa (2000 inH ₂ O)	14 MPa (2000 psi)

Applicable Products (Transmitter): EJX430A (gauge pressure transmitter) with Remote diaphragm seal

Measurement span		A, B	Measurement span	A	B
Reference accuracy	$X \leq \text{span}$	$\pm 0.15\%$ of Span	X	0.35 MPa (50 psi)	1.6 MPa (230 psi)
	$X > \text{span}$	$\pm (0.1 + 0.005 \text{ URL}/\text{span})\%$ of Span			
Ambient Temperature Effects per 28°C (50°F) Change		$\pm (0.5\% \text{ Span} + 0.025\% \text{ URL})$	URL (upper range limit)	3.5 MPa (500 psi)	16 MPa (2300 psi)

Applicable Products (Transmitter): EJX310A (Absolute pressure transmitter) with C80F□ Diaphragm seal

Measurement span		M	A, B
Reference accuracy	$X \leq \text{span}$	$\pm 0.15\%$ of Span	$\pm 0.15\%$ of Span
	$X > \text{span}$	$\pm (0.02 + 0.0214 \text{ URL}/\text{span})\%$ of Span	$\pm (0.1 + 0.005 \text{ URL}/\text{span})\%$ of Span
Ambient Temperature Effects per 28°C (50°F) Change		$\pm (0.5\% \text{ Span} + 0.025\% \text{ URL})$	$\pm (0.5\% \text{ Span} + 0.025\% \text{ URL})$

Measurement span	M	A	B
X	21.4 kPa abs (6.3 inHg abs)	0.35 MPa abs (50 psia)	1.6 MPa abs (230 psia)
URL (upper range limit)	130 kPa abs (38.4 inHg abs)	3.5 MPa abs (500 psia)	16 MPa abs (2300 psia)

12.2 EJXC80A Direct Mounted Diaphragm Seal System

Zero-based calibrated span, linear output, diaphragm material code S for diaphragm diameter code 9, fill fluid code B. and C20F□ on High side Seal.

For Fieldbus and PROFIBUS PA communication types, use calibrated range instead of span in the following specifications.

Applicable Products (Transmitter): EJX110A (Differential pressure transmitter) with C20F□ Direct mount seal

Measurement span		M	H	V
Reference accuracy	X ≤ span	±0.075% of Span	±0.075% of Span	
	X > span	± (0.025 + 0.005 URL/span)% of Span	± (0.025 + 0.01 URL/span)% of Span	± (0.025+0.005 URL/span)% of Span
Ambient Temperature Effects per 28°C (50°F) Change		± (0.224% Span + 0.056% URL)	± (0.14% Span + 0.028% URL)	
Static Pressure Effects per 0.69 MPa (100 psi) Change		Span Effects: ±0.028% of span Effect on Zero: ±0.007% of URL		

Square Root Output Accuracy

The square root accuracy is a percent of flow span.

Output	Accuracy
50% or Greater	Same as reference accuracy
50% to Dropout point	$\frac{\text{Reference accuracy} \times 50}{\text{Square root output (\%)}}$

Measurement span	M	H	V
X	10 kPa (40 inH ₂ O)	100 kPa (400 inH ₂ O)	1.4 MPa (200 psi)
URL (upper range limit)	100 kPa (400 inH ₂ O)	500 kPa (2000 inH ₂ O)	14 MPa (2000 psi)

12.3 EJXC50A Performance specifications

Zero-based calibrated span, linear output, diaphragm material code S for diaphragm diameter code 9, fill fluid code B.

For Fieldbus and PROFIBUS PA communication types, use calibrated range instead of span in the following specifications.

Measurement span		A, B, C
Reference accuracy	X ≤ span	±0.055% of Span
	X > span	± (0.01 + 0.0045 URL/span)% of Span
Ambient Temperature Effects per 28°C (50°F) Change		± (0.14% Span + 0.028% URL)

Measurement span	A	B	C
X	20 kPa (2.9 psi)	0.2 MPa (29 psi)	1 MPa (145 psi)
URL (upper range limit)	200 kPa (29 psi)	2 MPa (290 psi)	10 MPa (1450 psi)

12.4 EJXC40A Performance specifications

Zero-based calibrated span, linear output, diaphragm material code S for diaphragm diameter code 9, fill fluid code B.

Differential pressure accuracy of DRS system

Measurement span	A, B, C
Reference accuracy	$\pm\sqrt{\text{Accuracy of master}^2 + \text{Accuracy of slave}^2}$

Example: $\pm\sqrt{0.055^2 + 0.055^2} = \pm0.078\%$ (In case of "X ≤ span")

*Master and slave accuracy: Refer to EJXC50A

12.5 EJAC80E Diaphragm Seal System Performance specifications

Zero-based calibrated span, linear output, diaphragm material code S for diaphragm diameter code 9, fill fluid code B, and capillary length of 5 m.

For Fieldbus and PROFIBUS PA communication types, use calibrated range instead of span in the following specifications.

Applicable Products (Transmitter): EJA110E (Differential pressure transmitter) with both side C80F□ diaphragm seal

Measurement span		M, H	V
Reference accuracy	X ≤ span	±0.2% of Span	±0.2% of Span
	X > span	± (0.15 + 0.01 URL/span)% of Span	± (0.15 + 0.005 URL/span)% of Span
Ambient Temperature Effects per 28°C (50°F) Change		± (0.48% Span + 0.06% URL)	
Static Pressure Effects per 0.69 MPa (100 psi) Change		Span Effects: ±0.02% of span	
		Effect on Zero: ±0.014% of URL	

**Applicable Products (Transmitter): EJA110E (Differential pressure transmitter) with both-side diaphragm seal
EJA110E (Differential pressure transmitter) with combination diaphragm seal
Direct mount with remote seal type**

Measurement span		M, H	V
Reference accuracy	X ≤ span	±0.2% of Span	±0.2% of Span
	X > span	± (0.15 + 0.01 URL/span)% of Span	± (0.15 + 0.005 URL/span)% of Span
Ambient Temperature Effects per 28°C (50°F) Change		± (0.96% Span + 0.12% URL)	
Static Pressure Effects per 0.69 MPa (100 psi) Change		Span Effects: ±0.04% of span	
		Effect on Zero: ±0.028% of URL	

Square Root Output Accuracy

The square root accuracy is a percent of flow span.

Output	Accuracy
50% or Greater	Same as reference accuracy
50% to Dropout point	$\frac{\text{Reference accuracy} \times 50}{\text{Square root output (\%)}}$

Measurement span	M	H	V
X	20 kPa (80 inH ₂ O)	100 kPa (400 inH ₂ O)	1.4 MPa (200 psi)
URL (upper range limit)	100 kPa (400 inH ₂ O)	500 kPa (2000 inH ₂ O)	14 MPa (2000 psi)

Applicable Products (Transmitter): EJA430E (Gauge pressure transmitter) with Remote diaphragm seal

Measurement span		A, B
Reference accuracy	X ≤ span	±0.2% of Span
	X > span	± (0.16 + 0.004 URL/span)% of Span
Ambient Temperature Effects per 28°C (50°F) Change		± (0.53% Span + 0.025% URL)

Measurement span	A	B
X	0.35 MPa (50 psi)	1.6 MPa (230 psi)
URL (upper range limit)	3.5 MPa (500 psi)	16 MPa (2300 psi)

Applicable Products (Transmitter): EJA310E (Absolute pressure transmitter) with C80F□ Diaphragm seal

Measurement span		M	A, B
Reference accuracy	X ≤ span	±0.2% of Span	±0.2% of Span
	X > span	± (0.15 + 0.0083 URL/span)% of Span	± (0.16 + 0.004 URL/span)% of Span
Ambient Temperature Effects per 28°C (50°F) Change		± (0.96% Span + 0.12% URL)	± (0.53% Span + 0.025% URL)

Measurement span	M	A	B
X	21.4 kPa abs (6.3 inHg abs)	0.35 MPa abs (50 psia)	1.6 MPa abs (230 psia)
URL (upper range limit)	130 kPa abs (38.4 inHg abs)	3.5 MPa abs (500 psia)	16 MPa abs (2300 psia)

12.6 EJAC80E Direct Mounted Diaphragm Seal System Performance specifications

Zero-based calibrated span, linear output, diaphragm material code S for diaphragm diameter code 9, fill fluid code B. and C20F□ on High side Seal.

For Fieldbus and PROFIBUS PA communication types, use calibrated range instead of span in the following specifications.

Applicable Products (Transmitter): EJA110E (Differential pressure transmitter) with C20F□ Direct mount seal

Measurement span		M	H	V
Reference accuracy	X ≤ span	±0.075% of Span	±0.075% of Span	
	X > span	± (0.025 + 0.005 URL/span)% of Span	± (0.025 + 0.01 URL/span)% of Span	± (0.025+0.005 URL/span)% of Span
Ambient Temperature Effects per 28°C (50°F) Change		± (0.224% Span + 0.056% URL)	± (0.14% Span + 0.028% URL)	
Static Pressure Effects per 0.69 MPa (100 psi) Change		Span Effects: ±0.028% of span		
		Effect on Zero: ±0.007% of URL		

Square Root Output Accuracy

The square root accuracy is a percent of flow span.

Output	Accuracy
50% or Greater	Same as reference accuracy
50% to Dropout point	$\frac{\text{Reference accuracy} \times 50}{\text{Square root output (\%)}}$

Measurement span	M	H	V
X	10 kPa (40 inH ₂ O)	100 kPa (400 inH ₂ O)	1.4 MPa (200 psi)
URL (upper range limit)	100 kPa (400 inH ₂ O)	500 kPa (2000 inH ₂ O)	14 MPa (2000 psi)

12.7 EJAC50E Performance specifications

Zero-based calibrated span, linear output, diaphragm material code S for diaphragm diameter code 9, fill fluid code B.

For Fieldbus and PROFIBUS PA communication types, use calibrated range instead of span in the following specifications.

Measurement span		A, B, C
Reference accuracy	X ≤ span	±0.075% of Span
	X > span	± (0.0075 URL/span)% of Span
Ambient Temperature Effects per 28°C (50°F) Change		± (0.14% Span + 0.028% URL)

Measurement span	A	B	C
X	20 kPa (2.9 psi)	0.2 MPa (29 psi)	1 MPa (145 psi)
URL (upper range limit)	200 kPa (29 psi)	2 MPa (290 psi)	10 MPa (1450 psi)

13. Capillary length limitation

	Diaphragm seal system			Diaphragm diameter Code	Diaphragm material Code	Capillary Length				
		High-side	Low-side			1 to 5 m	6 to 10 m	11 to 13 m	14 to 15 m	
Differential Pressure Transmitter	Both side (High and Low) Diaphragm seal	C80F□	C80F□	9	S	●	●	●	●	
				6		●	●	●	●	
		C81F□			6	H, T, U, M, K	●	●	●	●
		C82F□	C82F□		●		●	●	●	
		C80F□	C80F□		9	V	●	●	----	----
		C81F□			6		●	----	----	----
		C82F□	C82F□		9	J	●	●	----	----
		C80F□	C80F□		6		●	----	----	----
		C70S□	C70S□		9	S,H	●	●	----	----
					6		●	●	----	----
				4	●		----	----	----	
	High side Direct mount seal Low side Diaphragm seal	C20F□	C80F□	9	S H, T, U, M, K	●	●	----	----	
				6		●	●	----	----	
		C30S□	C70S□	9	S,H	●	●	----	----	
				6		●	●	----	----	
	Compensating capillary type	C20F□	C80F□	9	S H, T, U, M, K	●	●	----	----	
6				●		●	----	----		
Gauge Pressure Transmitter	High side Diaphragm seal	C80F□	----	S	9	●	●	----	----	
			6		●	●	----	----		
		C82F□	----	H, T, U, M, K	6	●	●	----	----	
			9		●	●	----	----		
		C70S□	----	S,H	6	●	●	----	----	
					9	●	●	----	----	
					4	●	----	----	----	
					6	●	●	----	----	
	Low side Diaphragm seal	----	C80F□	9	S	●	●	----	----	
				6		●	●	----	----	
		----	C82F□	6	H, T, U, M, K	●	●	----	----	
				9		●	●	----	----	
		----	C70S□	S,H	6	●	●	----	----	
					9	●	●	----	----	
					4	●	----	----	----	
					6	●	●	----	----	
	High side Diaphragm seal (Low side Open to atmosphere)	C80F□	----	9	S	●	●	●	●	
				6		●	●	●	----	
		C82F□	----	6	H, T, U, M, K	●	●	●	----	
				9		●	●	●	----	
		C80F□	----	V	6	●	●	----	----	
					9	●	----	----	----	
		C80F□	----	J	9	●	●	----	----	
					6	●	●	----	----	
C70S□		----	S,H	9	●	●	----	----		
				6	●	●	----	----		
	4			●	----	----	----			
	6			●	●	----	----			
Absolute Pressure Transmitter	High side Diaphragm seal	C80F□	----	S	9	●	●	●	●	
			6		●	●	●	----		
		C82F□	----	6	H,T	●	●	●	----	
				9		●	●	●	----	
C80F□	----	6	●	●	----	----	----			
		9	●	●	----	----				

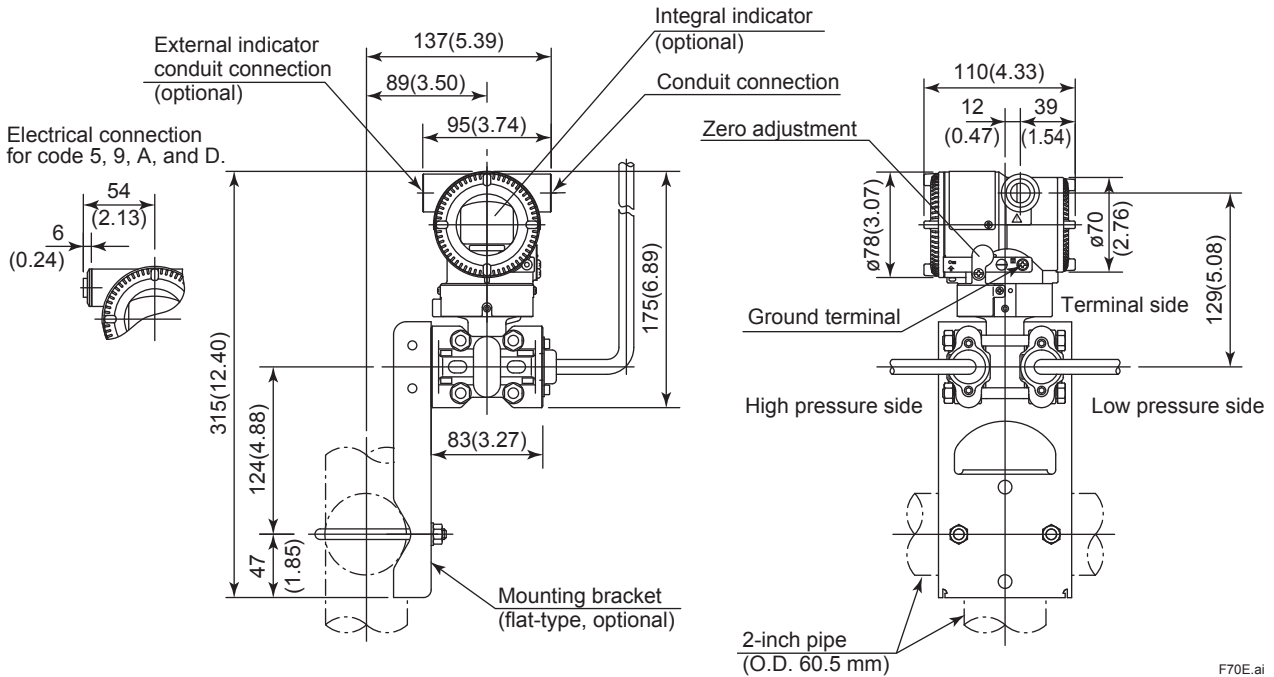
●: applicable ----: not applicable

■ DIMENSIONS (Differential Pressure, Transmitter Part)

● Remote Mounted Diaphragm Seal System, Remote Seal for High and Low Pressure Side

[Transmitter Part: EJX110A, EJA110E Differential Pressure Transmitter]

Unit: mm (approx. inch)



F70E.ai

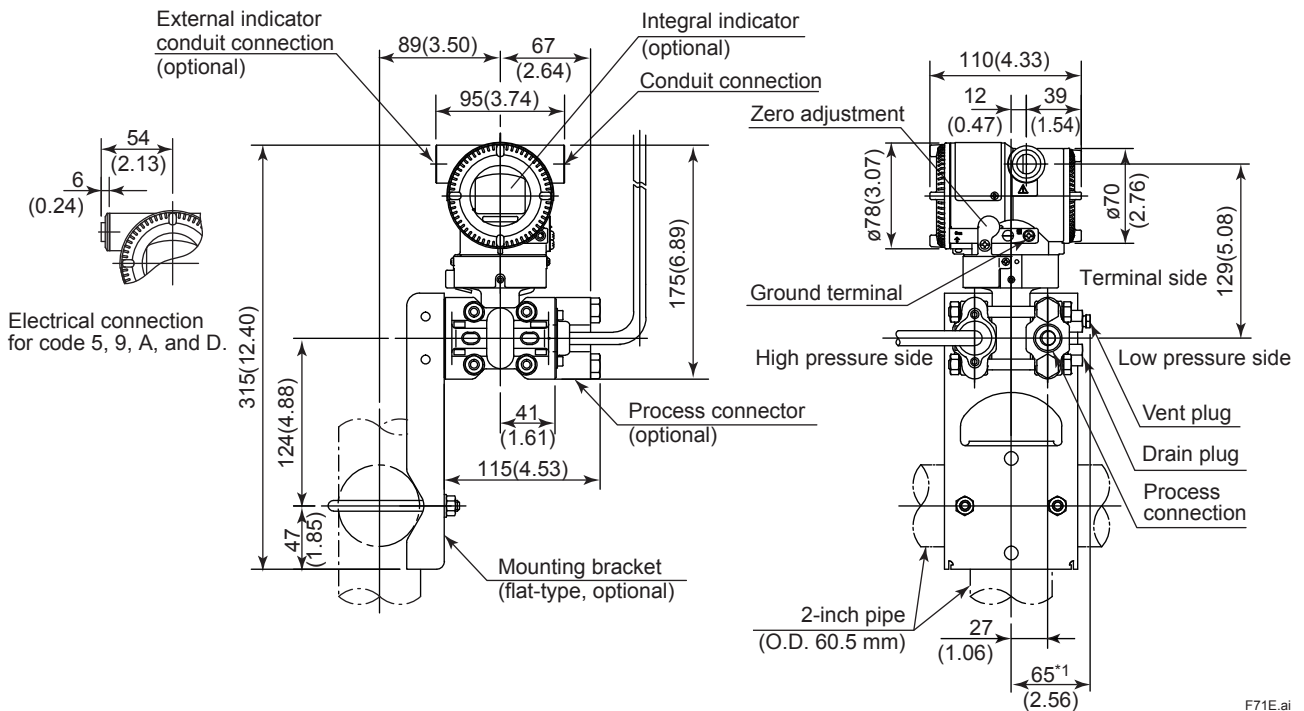
*1: When electrical connection code 7 or C is selected, a blind plug is protruded upto 8 mm (0.31 inch) from the conduit connection.

● Remote Mounted Diaphragm Seal System, Remote Seal for High or Low Pressure Side

(The figure below shows the EJ□C80□-D80. In case of the EJ□C80□-D08, process connection of high and low pressure sides are reversed.)

[Transmitter Part: EJX110A, EJA110E Differential Pressure Transmitter]

Unit: mm (approx. inch)

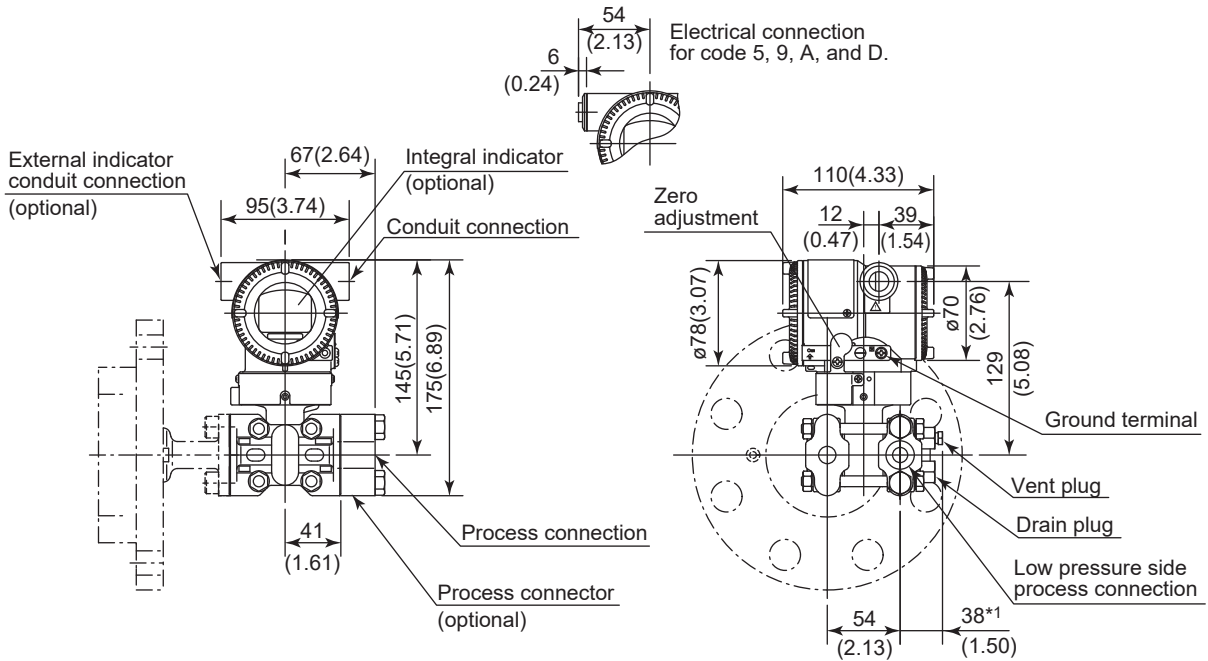


F71E.ai

*1: When electrical connection code 7 or C is selected, a blind plug is protruded upto 8 mm (0.31 inch) from the conduit connection.

• Direct Mounted Diaphragm Seal System

Unit: mm (approx. inch)



*1: When Option code K11, K12, K15, or K16 is selected, add 15 mm(0.59 inch) to the value in the flange.

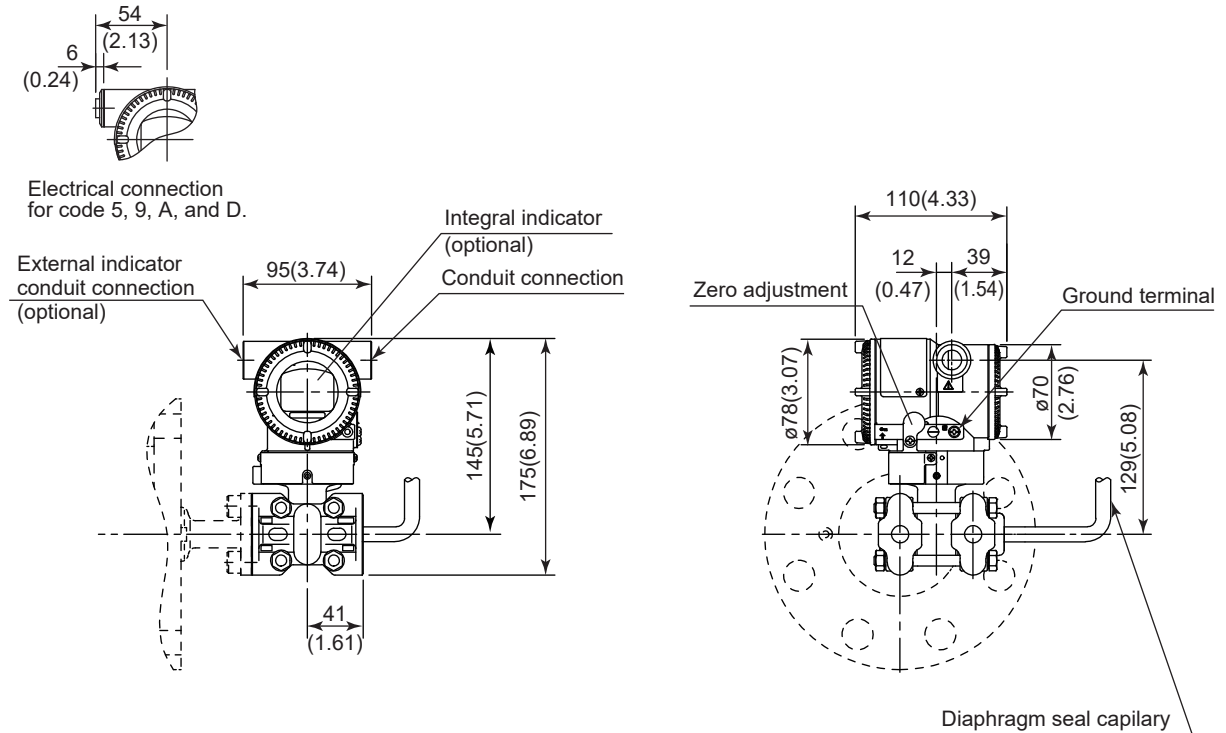
*2: When electrical connection code 7 or C is selected, a blind plug is protruded upto 8 mm (0.31 inch) from the conduit connection.

F72E.ai

• Diaphragm Seal System, Combination of Direct Mount and Remote Mount Flanged Diaphragm Seal

[Transmitter Part: EJX110A, EJA110E Differential Pressure Transmitter]

Unit: mm (approx. inch)



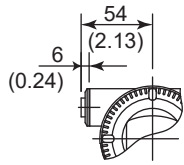
*1: When electrical connection code 7 or C is selected, a blind plug is protruded up to 8 mm (0.31 inch) from the conduit connection.

F73E.ai

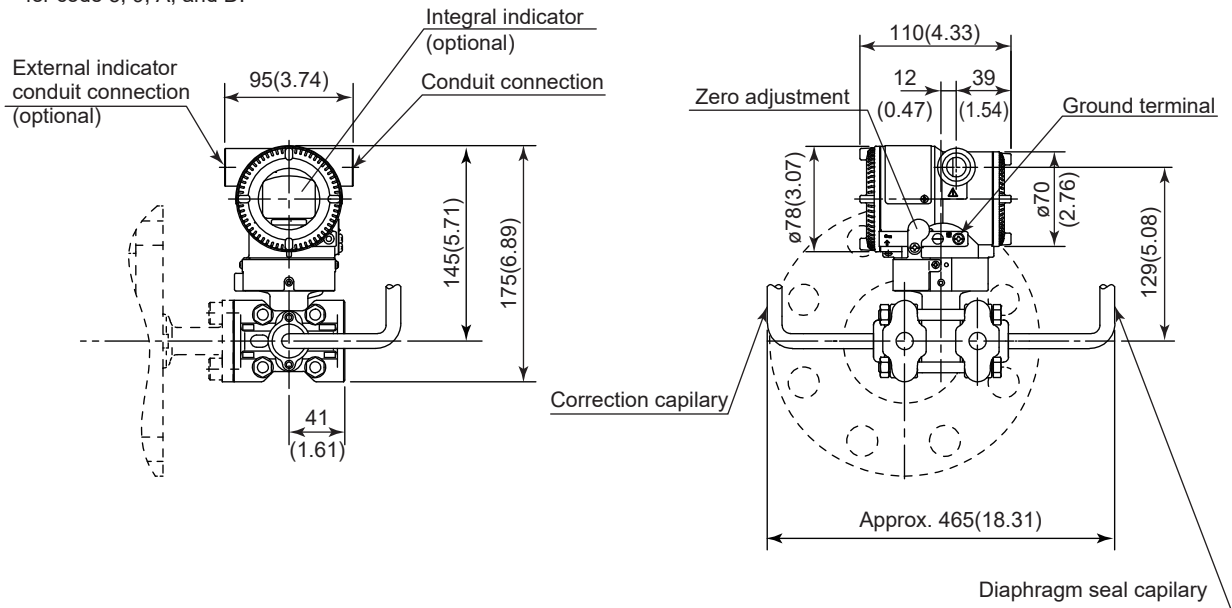
• Diaphragm Seal System, Combination of Direct Mount and Remote Mount Flanged Diaphragm Seal, with compensating capillary for High Pressure Side

[Transmitter Part: EJX110A, EJA110E Differential Pressure Transmitter]

Unit: mm (approx. inch)



Electrical connection for code 5, 9, A, and D.



*1: When electrical connection code 7 or C is selected, a blind plug is protruded up to 8 mm (0.31 inch) from the conduit connection.

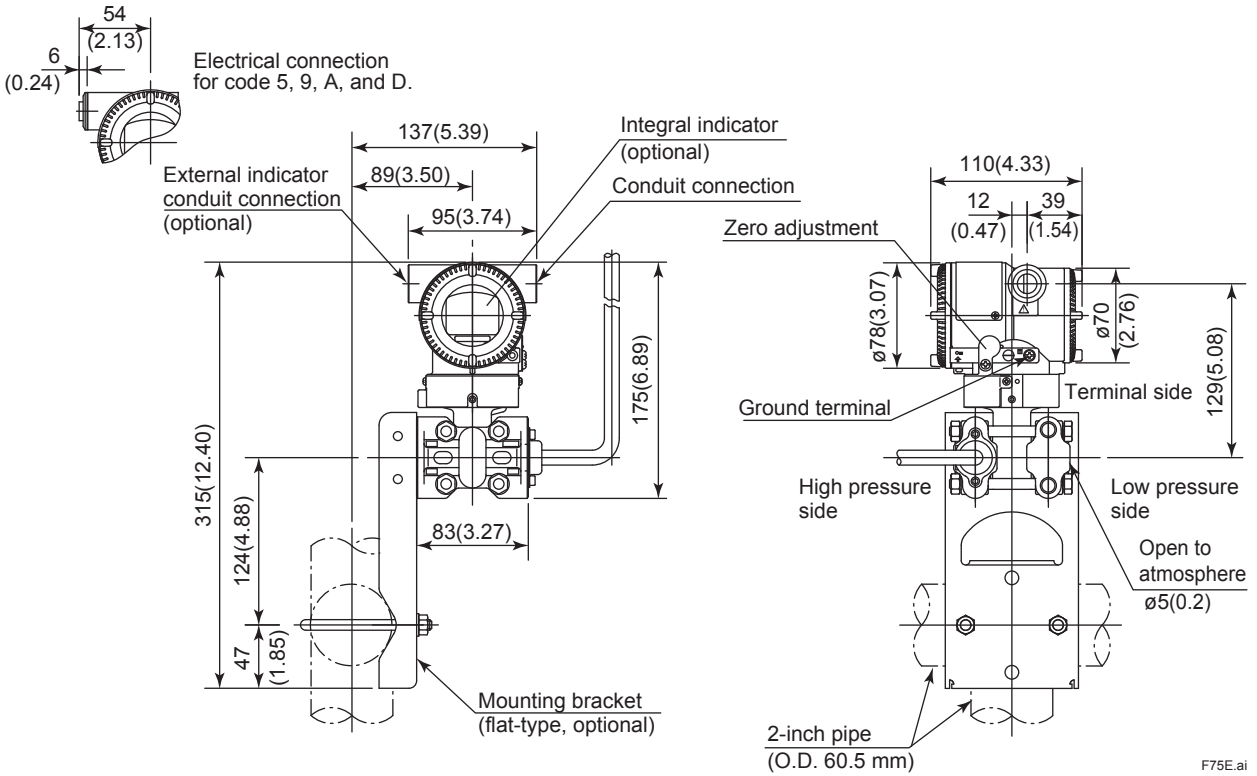
F74E.ai

■ DIMENSIONS (Gauge Pressure, Transmitter Part)

● Remote Mounted Diaphragm Seal System

[Transmitter Part: EJX430A, EJA430E Gauge Pressure Transmitter]

Unit: mm (approx. inch)



F75E.ai

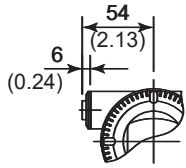
*2: When electrical connection code 7 or C is selected, a blind plug is protruded upto 8 mm (0.31 inch) from the conduit connection.

■ DIMENSIONS (Absolute Pressure, Transmitter Part)

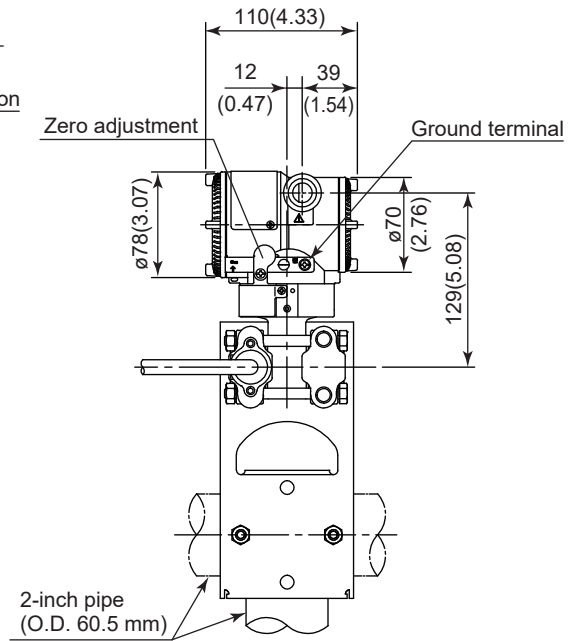
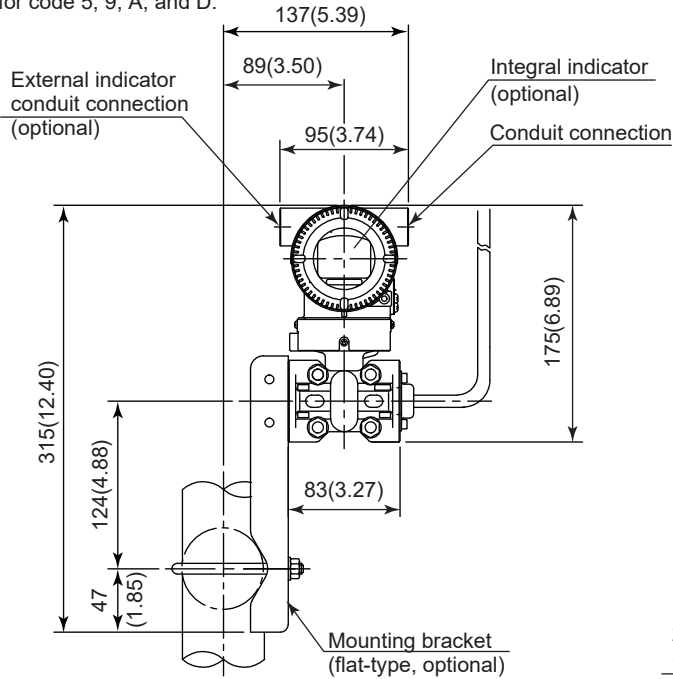
● Remote Mounted Absolute Pressure Diaphragm Seal System

[Transmitter Part: EJX310A, EJA310E Absolute Pressure Transmitter]

Unit: mm (approx. inch)



Electrical connection for code 5, 9, A, and D.



*1: When electrical connection code 7 or C is selected, a blind plug is protruded up to 8 mm (0.31 inch) from the conduit connection.

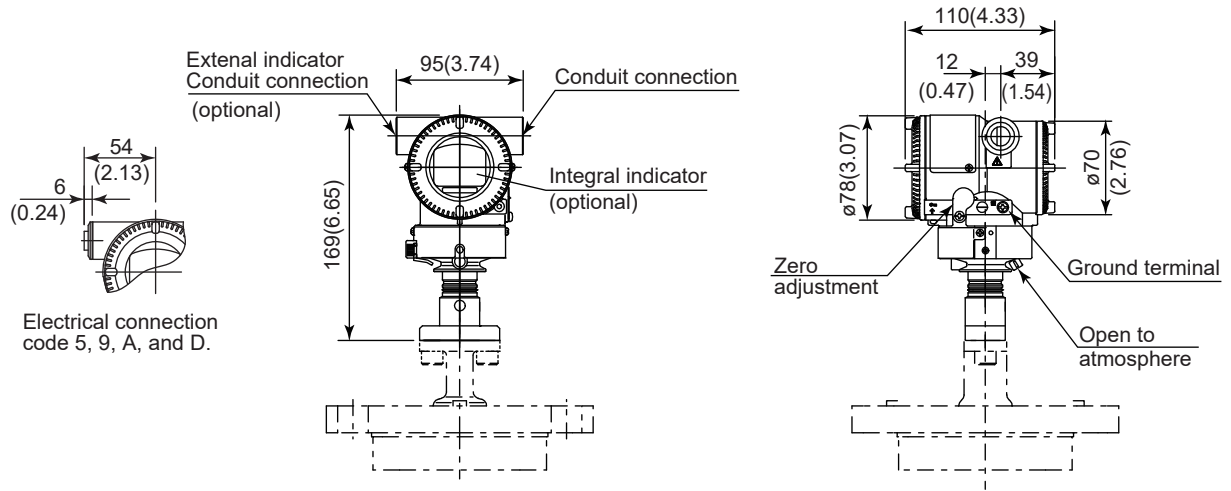
F76E.ai

● **Direct Mounted Diaphragm Seal System**

[Transmitter Part: EJX530A, EJA530E Process Connection Code P]

For the transmitter part of digital remote sensed diaphragm seal system, refer to GS 01C25W05-01EN.

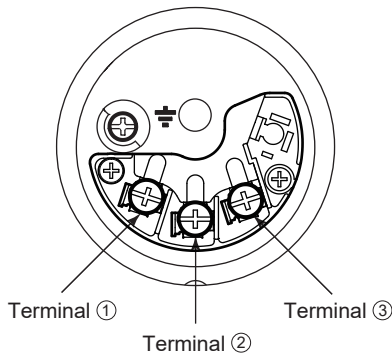
Unit: mm (approx. inch)



*1: When electrical connection code 7 or C is selected, a blind plug is protruded upto 8 mm (0.31 inch) from the conduit connection.

■ **TERMINALS**

● **Terminal Configuration**



● **Terminal Wiring**

SUPPLY	+	①] Power supply and output terminals
	-	②	
CHECK	+	③] External indicator (ammeter) terminals*1*2
or	-	②	
ALARM	+	③] Status contact output terminals*2
	-	②	
		⏏	Ground terminal

*1: When using an external indicator or check meter, the internal resistance must be 10 Ω or less. A check meter or indicator cannot be connected when /AL option is specified.

*2: Not available for FOUNDATION Fieldbus and PROFIBUS PA communication types.

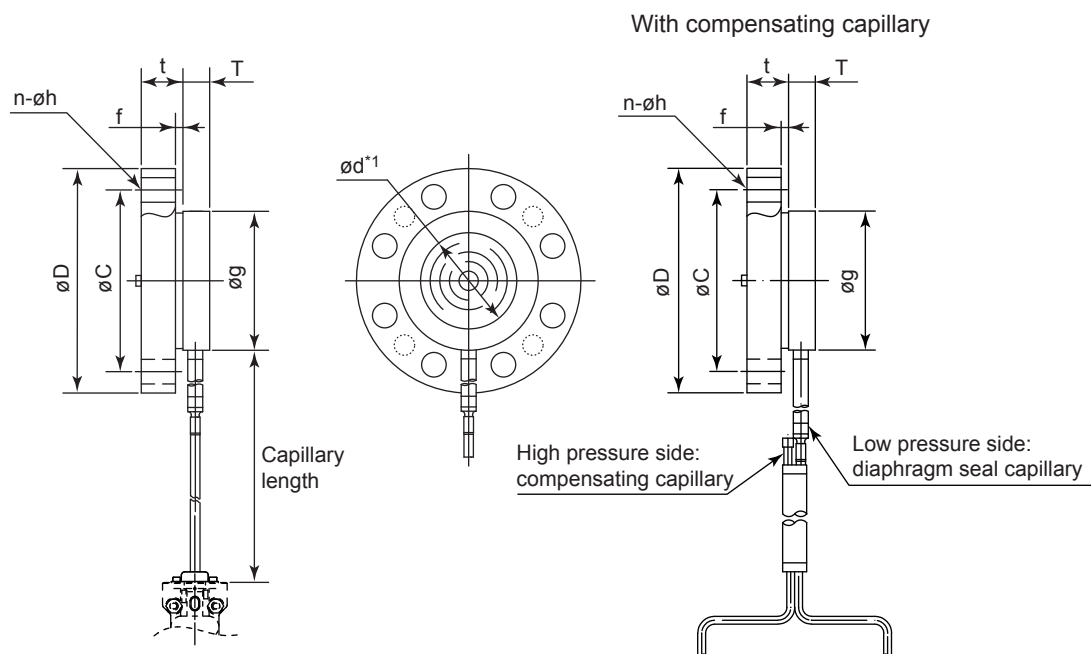
F77E.ai

■ DIMENSIONS (Diaphragm Seal Part and Accessories)

● C80FW Remote Mount Flanged Diaphragm Seal (Flash Type)

[Raised Face (RF), Capillary Connected to the Side of Diaphragm Seal Unit]

Unit: mm (approx. inch)



*1: Indicates inside diameter of gasket contact surface.

F78E.ai

Process flange size: 3-inch (80 mm)

Flange Standard Code	Flange Rating Code	Flange Rating	øD	øC	Bolt holes		t	f ²	T ⁴	øg	ød
					No.(n)	Dia.(øh)					
J	A	JIS 10K	185(7.28)	150(5.91)	8	19(0.75)	18(0.71)	0	25(0.98)	130(5.12)	90(3.54)
J	B	JIS 20K	200(7.87)	160(6.30)	8	23(0.91)	22(0.87)	0	25(0.98)	130(5.12)	90(3.54)
J	C	JIS 30K	210(8.27)	170(6.69)	8	23(0.91)	28(1.10)	0	25(0.98)	130(5.12)	90(3.54)
J	D	JIS 40K	210(8.27)	170(6.69)	8	23(0.91)	32(1.26)	0	25(0.98)	130(5.12)	90(3.54)
J	E	JIS 63K	230(9.06)	185(7.28)	8	25(0.98)	40(1.57)	0	25(0.98)	130(5.12)	90(3.54)
A	1	ANSI Class 150	190.5(7.50)	152.4(6.00)	4	19.1(0.75)	23.9(0.94)	1.6(0.06)	25(0.98)	130(5.12)	90(3.54)
A	2	ANSI Class 300	209.6(8.25)	168.1(6.62)	8	22.4(0.88)	28.5(1.12)	1.6(0.06)	25(0.98)	130(5.12)	90(3.54)
A	4	ANSI Class 600	209.6(8.25)	168.1(6.62)	8	22.4(0.88)	38.2(1.50)	6.4(0.25)	25(0.98)	130(5.12)	90(3.54)
A	5	ANSI Class 900	241.3(9.50)	190.5(7.50)	8	25.4(1.00)	38.1(1.50)	0	25(0.98)	130(5.12)	90(3.54)
A	6	ANSI Class 1500	266.7(10.50)	203.2(8.00)	8	31.8(1.25)	47.8(1.88)	0	25(0.98)	130(5.12)	90(3.54)
P	1	JPI Class 150	190(7.48)	152.4(6.00)	4	19(0.75)	24(0.94)	1.6(0.06)	25(0.98)	130(5.12)	90(3.54)
P	2	JPI Class 300	210(8.27)	168.1(6.62)	8	22(0.87)	28.5(1.12)	1.6(0.06)	25(0.98)	130(5.12)	90(3.54)
P	4	JPI Class 600	210(8.27)	168.1(6.62)	8	22(0.87)	38.4(1.51)	6.4(0.25)	25(0.98)	130(5.12)	90(3.54)
P	5	JPI Class 900	241(9.49)	190.5(7.50)	8	26(1.02)	38.5(1.52)	0	25(0.98)	130(5.12)	90(3.54)
P	6	JPI Class 1500	267(10.51)	203.2(8.00)	8	32(1.26)	48(1.89)	0	25(0.98)	130(5.12)	90(3.54)
D	H	DIN PN 10/16	200(7.87)	160(6.30)	8	18(0.71)	20(0.79)	0	25(0.98)	130(5.12)	90(3.54)
D	K	DIN PN 25/40	200(7.87)	160(6.30)	8	18(0.71)	24(0.94)	0	25(0.98)	130(5.12)	90(3.54)
D	L	DIN PN 64	215(8.46)	170(6.69)	8	22(0.87)	28(1.10)	0	25(0.98)	130(5.12)	90(3.54)

Unit: mm (approx. inch)

Process flange size: 2-inch (50 mm)

Flange Standard Code	Flange Rating Code	Flange Rating	øD	øC	Bolt holes		t	f ²	T ⁴	øg	ød
					No.(n)	Dia.(øh)					
J	A	JIS 10K	155(6.10)	120(4.72)	4	19(0.75)	16(0.63)	0	25(0.98)	100(3.94)	61(2.40)
J	B	JIS 20K	155(6.10)	120(4.72)	8	19(0.75)	18(0.71)	0	25(0.98)	100(3.94)	61(2.40)
J	C	JIS 30K	165(6.50)	130(5.12)	8	19(0.75)	22(0.87)	0	25(0.98)	100(3.94)	61(2.40)
J	D	JIS 40K	165(6.50)	130(5.12)	8	19(0.75)	26(1.02)	0	25(0.98)	100(3.94)	61(2.40)
J	E	JIS 63K	185(7.28)	145(5.71)	8	23(0.91)	34(1.34)	0	25(0.98)	100(3.94)	61(2.40)
A	1	ANSI Class 150	152.4(6.00)	120.7(4.75)	4	19.1(0.75)	19.1(0.75)	1.6(0.06)	25(0.98)	100(3.94)	61(2.40)
A	2	ANSI Class 300	165.1(6.50)	127(5.00)	8	19.1(0.75)	22.4(0.88)	1.6(0.06)	25(0.98)	100(3.94)	61(2.40)
A	4	ANSI Class 600	165.1(6.50)	127(5.00)	8	19.1(0.75)	31.8(1.25)	6.4(0.25)	25(0.98)	100(3.94)	61(2.40)
P	1	JPI Class 150	152(5.98)	120.6(4.75)	4	19(0.75)	19.5(0.77)	1.6(0.06)	25(0.98)	100(3.94)	61(2.40)
P	2	JPI Class 300	165(6.50)	127(5.00)	8	19(0.75)	22.5(0.89)	1.6(0.06)	25(0.98)	100(3.94)	61(2.40)
P	4	JPI Class 600	165(6.50)	127(5.00)	8	19(0.75)	31.9(1.26)	6.4(0.25)	25(0.98)	100(3.94)	61(2.40)
D	H	DIN PN 10/16	165(6.50)	125(4.92)	4	18(0.71)	18(0.71)	0	25(0.98)	100(3.94)	61(2.40)
D	K	DIN PN 25/40	165(6.50)	125(4.92)	4	18(0.71)	20(0.79)	0	25(0.98)	100(3.94)	61(2.40)
D	L	DIN PN 64	180(7.09)	135(5.31)	4	22(0.87)	26(1.02)	0	25(0.98)	100(3.94)	61(2.40)

Process flange size: 1.5-inch (40 mm)

Flange Standard Code	Flange Rating Code	Flange Rating	øD	øC	Bolt holes		t	f ²	T	øg	ød
					No.(n)	Dia.(øh)					
J	A	JIS 10K	140(5.51)	105(4.13)	4	19(0.75)	16(0.63)	0	27(1.06)	86(3.39)	*3
J	B	JIS 20K	140(5.51)	105(4.13)	4	19(0.75)	18(0.71)	0	27(1.06)	86(3.39)	*3
J	C	JIS 30K	160(6.30)	120(4.72)	4	23(0.91)	22(0.87)	0	27(1.06)	86(3.39)	*3
J	D	JIS 40K	160(6.30)	120(4.72)	4	23(0.91)	24(0.94)	0	27(1.06)	86(3.39)	*3
J	E	JIS 63K	175(6.89)	130(5.12)	4	25(0.98)	32(1.26)	0	27(1.06)	86(3.39)	*3
A	1	ANSI Class 150	127(5.00)	98.6(3.88)	4	15.7(0.62)	17.5(0.69)	1.6(0.06)	27(1.06)	86(3.39)	*3
A	2	ANSI Class 300	155.4(6.12)	114.3(4.50)	4	22.4(0.88)	20.6(0.81)	1.6(0.06)	27(1.06)	86(3.39)	*3
A	4	ANSI Class 600	155.4(6.12)	114.3(4.50)	4	22.4(0.88)	28.8(1.13)	6.4(0.25)	27(1.06)	86(3.39)	*3
P	1	JPI Class 150	127(5.00)	98.6(3.88)	4	16(0.63)	18(0.71)	1.6(0.06)	27(1.06)	86(3.39)	*3
P	2	JPI Class 300	155(6.10)	114.3(4.50)	4	22(0.87)	21(0.83)	1.6(0.06)	27(1.06)	86(3.39)	*3
P	4	JPI Class 600	155(6.10)	114.3(4.50)	4	22(0.87)	29(1.14)	6.4(0.25)	27(1.06)	86(3.39)	*3

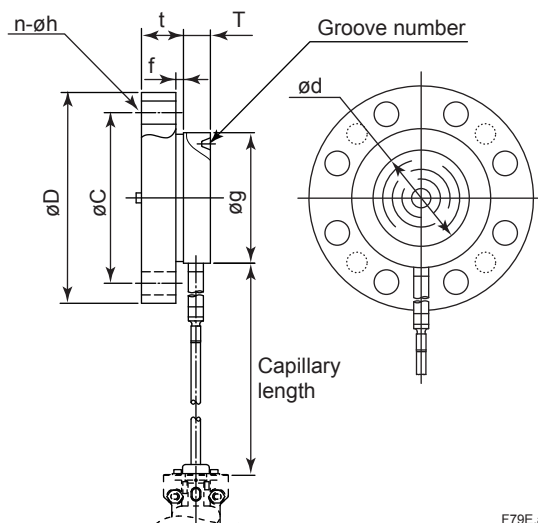
*2: For flange material code A(S25C), value of f is 0 mm.

*3: Always use in combination with C10FR. (ød=44 mm)

*4: For sealing face material code U(titanium), value of T is 34 mm.

[Ring Joint (RJ), Capillary Connected to the Side of Diaphragm Seal Unit]

Unit: mm (approx. inch)



Process flange size: 3-inch (80 mm)

Flange Standard Code	Flange Rating Code	Flange Rating	øD	øC	Bolt holes		ød	t	f*1	T	øg	Groove No.
					No.(n)	Dia.(øh)						
A	2	ANSI Class 300	209.6(8.25)	168.1(6.62)	8	22.4(0.88)	90(3.54)	28.4(1.12)	1.6(0.06)	25(0.98)	147(5.79)	R31
A	4	ANSI Class 600	209.6(8.25)	168.1(6.62)	8	22.4(0.88)	90(3.54)	38.4(1.51)	6.4(0.25)	25(0.98)	147(5.79)	R31
A	5	ANSI Class 900	241.3(9.50)	190.5(7.50)	8	25.4(1.00)	90(3.54)	38.1(1.50)	0	25(0.98)	156(6.14)	R31
A	6	ANSI Class 1500	266.7(10.50)	203.5(8.01)	8	31.8(1.25)	90(3.54)	47.8(1.88)	0	25(0.98)	169(6.65)	R35
P	2	JPI Class 300	210(8.27)	168.1(6.62)	8	22(0.87)	90(3.54)	28.5(1.12)	1.6(0.06)	25(0.98)	147(5.79)	R31
P	4	JPI Class 600	210(8.27)	168.1(6.62)	8	22(0.87)	90(3.54)	38.4(1.51)	6.4(0.25)	25(0.98)	147(5.79)	R31
P	5	JPI Class 900	241(9.49)	190.5(7.50)	8	26(1.02)	90(3.54)	38.5(1.52)	0	25(0.98)	156(6.14)	R31
P	6	JPI Class 1500	267(10.51)	203.2(8.00)	8	32(1.26)	90(3.54)	48(1.89)	0	25(0.98)	169(6.65)	R35

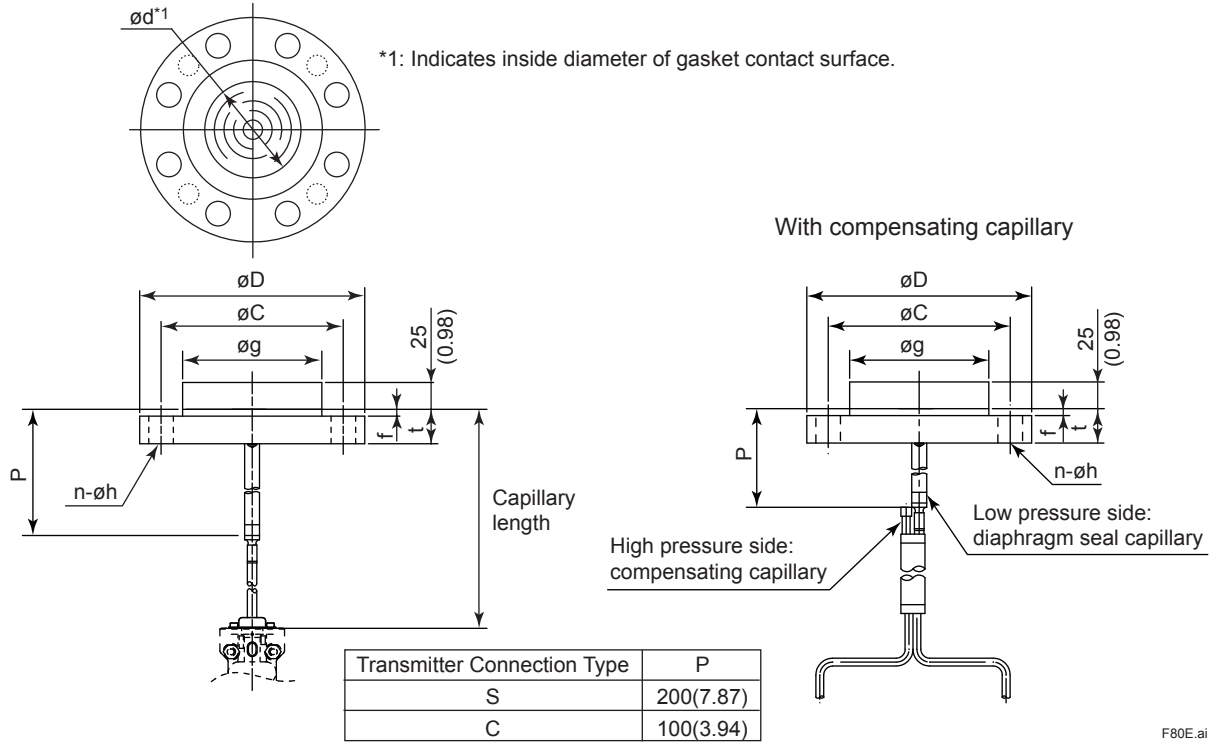
Process flange size: 2-inch (50 mm)

Flange Standard Code	Flange Rating Code	Flange Rating	øD	øC	Bolt holes		ød	t	f*1	T	øg	Groove No.
					No.(n)	Dia.(øh)						
A	2	ANSI Class 300	165.1(6.50)	127(5.00)	8	19.1(0.75)	61(2.40)	22.4(0.88)	1.6(0.06)	30(1.18)	110(4.33)	R23
A	4	ANSI Class 600	165.1(6.50)	127(5.00)	8	19.1(0.75)	61(2.40)	31.8(1.25)	6.4(0.25)	30(1.18)	110(4.33)	R23
A	5	ANSI Class 900	215.9(8.50)	165.1(6.50)	8	25.4(1.00)	61(2.40)	38.1(1.50)	0	25(0.98)	125(4.92)	R24
A	6	ANSI Class 1500	215.9(8.50)	165.1(6.50)	8	25.4(1.00)	61(2.40)	38.1(1.50)	0	25(0.98)	125(4.92)	R24
P	2	JPI Class 300	165(6.50)	127(5.00)	8	19(0.75)	61(2.40)	22.5(0.89)	1.6(0.06)	30(1.18)	110(4.33)	R23
P	4	JPI Class 600	165(6.50)	127(5.00)	8	19(0.75)	61(2.40)	31.9(1.26)	6.4(0.25)	30(1.18)	110(4.33)	R23
P	5	JPI Class 900	216(8.50)	165.1(6.50)	8	26(1.02)	61(2.40)	38.5(1.52)	0	25(0.98)	125(4.92)	R24
P	6	JPI Class 1500	216(8.50)	165.1(6.50)	8	26(1.02)	61(2.40)	38.5(1.52)	0	25(0.98)	125(4.92)	R24

*1: For flange material code A(S25C), value of f is 0 mm.

[Raised Face (RF), Capillary Connected to the Back of Diaphragm Seal Unit]

Unit: mm (approx. inch)



F80E.ai

Process flange size: 3-inch (80 mm)

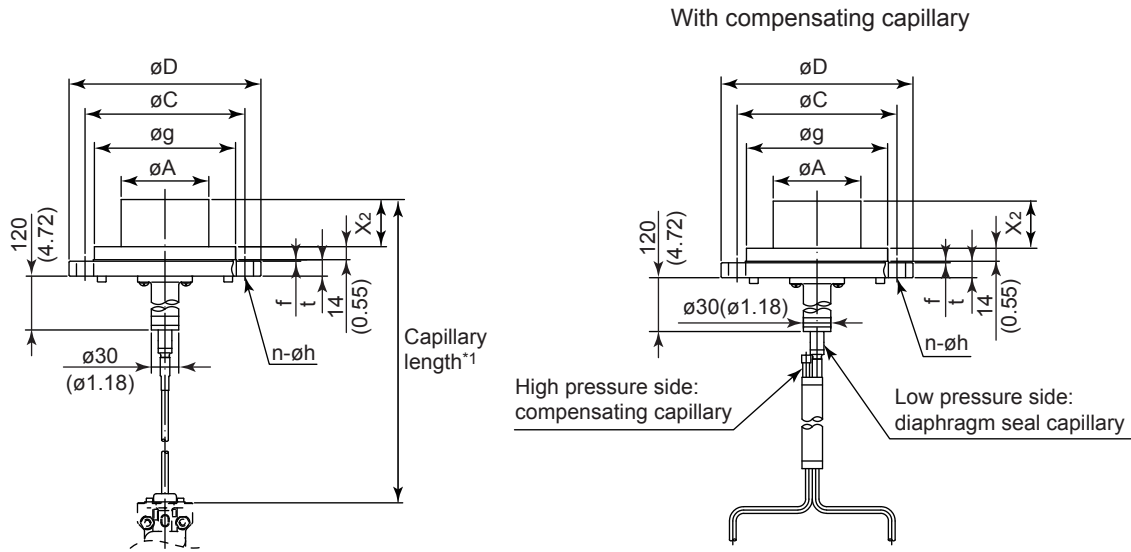
Flange Standard Code	Flange Rating Code	Flange Rating	øD	øC	Bolt holes		øg	t	f	ød
					No.(n)	Dia.(øh)				
J	A	JIS 10K	185(7.28)	150(5.91)	8	19(0.75)	130(5.12)	18(0.71)	0	90 (3.54)
J	B	JIS 20K	200(7.87)	160(6.30)	8	23(0.91)	130(5.12)	22(0.87)	0	
J	C	JIS 30K	210(8.27)	170(6.69)	8	23(0.91)	130(5.12)	28(1.10)	0	
J	D	JIS 40K	210(8.27)	170(6.69)	8	23(0.91)	130(5.12)	32(1.26)	0	
J	E	JIS 63K	230(9.06)	185(7.28)	8	25(0.98)	130(5.12)	40(1.57)	0	
A	1	ANSI Class 150	190.5(7.50)	152.4(6.00)	4	19.1(0.75)	130(5.12)	23.9(0.94)	1.6(0.06)	
A	2	ANSI Class 300	209.6(8.25)	168.1(6.62)	8	22.4(0.88)	130(5.12)	28.4(1.12)	1.6(0.06)	
A	4	ANSI Class 600	209.6(8.25)	168.1(6.62)	8	22.4(0.88)	130(5.12)	38.4(1.51)	6.4(0.25)	
P	1	JPI Class 150	190(7.48)	152.4(6.00)	4	19(0.75)	130(5.12)	24(0.94)	1.6(0.06)	
P	2	JPI Class 300	210(8.27)	168.1(6.62)	8	22(0.87)	130(5.12)	28.5(1.12)	1.6(0.06)	
P	4	JPI Class 600	210(8.27)	168.1(6.62)	8	22(0.87)	130(5.12)	38.4(1.51)	6.4(0.25)	

Process flange size: 2-inch (50 mm)

Flange Standard Code	Flange Rating Code	Flange Rating	øD	øC	Bolt holes		øg	t	f	ød
					No.(n)	Dia.(øh)				
J	A	JIS 10K	155(6.10)	120(4.72)	4	19(0.75)	100(3.94)	16(0.63)	0	61 (2.40)
J	B	JIS 20K	155(6.10)	120(4.72)	8	19(0.75)	100(3.94)	18(0.71)	0	
J	C	JIS 30K	165(6.50)	130(5.12)	8	19(0.75)	100(3.94)	22(0.87)	0	
J	D	JIS 40K	165(6.50)	130(5.12)	8	19(0.75)	100(3.94)	26(1.02)	0	
J	E	JIS 63K	185(7.28)	145(5.71)	8	23(0.91)	100(3.94)	34(1.34)	0	
A	1	ANSI Class 150	152.4(6.00)	120.7(4.75)	4	19.1(0.75)	100(3.94)	19.1(0.75)	1.6(0.06)	
A	2	ANSI Class 300	165.1(6.50)	127(5.00)	8	19.1(0.75)	100(3.94)	22.4(0.88)	1.6(0.06)	
A	4	ANSI Class 600	165.1(6.50)	127(5.00)	8	19.1(0.75)	100(3.94)	31.8(1.25)	6.4(0.25)	
P	1	JPI Class 150	152(5.98)	120.6(4.75)	4	19(0.75)	100(3.94)	19.5(0.77)	1.6(0.06)	
P	2	JPI Class 300	165(6.50)	127(5.00)	8	19(0.75)	100(3.94)	22.5(0.89)	1.6(0.06)	
P	4	JPI Class 600	165(6.50)	127(5.00)	8	19(0.75)	100(3.94)	31.9(1.26)	6.4(0.25)	

● C80FE Remote Mount Flanged Diaphragm Seal (Extended Type)

Unit: mm (approx. inch)



*1: The specified capillary length includes the extension length (X_2) and the flange thickness (t).

F81E.ai

● Extended length (X_2)

Extended length	X_2
2	50±0.5(1.97±0.02)
4	100±0.5(3.94±0.02)
6	150±0.5(5.91±0.02)
8	200±0.8(7.87±0.03)

Unit: mm (approx. inch)

Process flange size: 4-inch (100 mm)

Flange Standard Code	Flange Rating Code	Flange Rating	øD	øC	Bolt holes		øg	øA	t	f ²
					No.(n)	Dia.(øh)				
J	A	JIS 10K	210(8.27)	175(6.89)	8	19(0.75)	155(6.10)	96±0.5(3.78±0.02)	18(0.71)	0
J	B	JIS 20K	225(8.86)	185(7.28)	8	23(0.91)	155(6.10)	96±0.5(3.78±0.02)	24(0.94)	0
J	C	JIS 30K	240(9.45)	195(7.68)	8	25(0.98)	155(6.10)	96±0.5(3.78±0.02)	32(1.26)	0
J	D	JIS 40K	250(9.84)	205(8.07)	8	25(0.98)	155(6.10)	96±0.5(3.78±0.02)	36(1.42)	0
A	1	ANSI Class 150	228.6(9.00)	190.5(7.50)	8	19.1(0.75)	155(6.10)	96±0.5(3.78±0.02)	23.9(0.94)	1.6(0.06)
A	2	ANSI Class 300	254(10.00)	200.2(7.88)	8	22.4(0.88)	155(6.10)	96±0.5(3.78±0.02)	31.8(1.25)	1.6(0.06)
A	4	ANSI Class 600	273(10.75)	215.9(8.50)	8	26(1.02)	155(6.10)	96±0.5(3.78±0.02)	44.5(1.75) ^{*3}	6.4(0.25)
A	5	ANSI Class 900	292.1(11.50)	235(9.25)	8	31.8(1.25)	155(6.10)	96±0.5(3.78±0.02)	44.5(1.75)	0
A	6	ANSI Class 1500	311.2(12.25)	241.3(9.50)	8	35.1(1.38)	155(6.10)	96±0.5(3.78±0.02)	53.8(2.12)	0
P	1	JPI Class 150	229(9.02)	190.5(7.50)	8	19(0.75)	155(6.10)	96±0.5(3.78±0.02)	24(0.94)	1.6(0.06)
P	2	JPI Class 300	254(10.00)	200.2(7.88)	8	22(0.87)	155(6.10)	96±0.5(3.78±0.02)	32(1.26)	1.6(0.06)
P	4	JPI Class 600	273(10.75)	215.9(8.50)	8	26(1.02)	155(6.10)	96±0.5(3.78±0.02)	44.9(1.77)	6.4(0.25)
P	5	JPI Class 900	292(11.50)	235(9.25)	8	32(1.26)	155(6.10)	96±0.5(3.78±0.02)	44.5(1.75)	0
P	6	JPI Class 1500	311(12.24)	241.3(9.50)	8	35(1.38)	155(6.10)	96±0.5(3.78±0.02)	54(2.13)	0
D	H	DIN PN 10/16	220(8.66)	180(7.09)	8	18(0.71)	155(6.10)	96±0.5(3.78±0.02)	20(0.79)	0
D	K	DIN PN 25/40	235(9.25)	190(7.48)	8	22(0.87)	155(6.10)	96±0.5(3.78±0.02)	24(0.94)	0

Process flange size: 3-inch (80 mm)

Flange Standard Code	Flange Rating Code	Flange Rating	øD	øC	Bolt holes		øg	øA	t	f
					No.(n)	Dia.(øh)				
J	A	JIS 10K	185(7.28)	150(5.91)	8	19(0.75)	130(5.12)	71±0.5(2.80±0.02)	18(0.71)	0
J	B	JIS 20K	200(7.87)	160(6.30)	8	23(0.91)	130(5.12)	71±0.5(2.80±0.02)	22(0.87)	0
J	C	JIS 30K	210(8.27)	170(6.69)	8	23(0.91)	130(5.12)	71±0.5(2.80±0.02)	28(1.10)	0
J	D	JIS 40K	210(8.27)	170(6.69)	8	23(0.91)	130(5.12)	71±0.5(2.80±0.02)	32(1.26)	0
A	1	ANSI Class 150	190.5(7.50)	152.4(6.00)	4	19.1(0.75)	130(5.12)	71±0.5(2.80±0.02)	23.9(0.94)	1.6(0.06) ^{*4}
A	2	ANSI Class 300	209.6(8.25)	168.1(6.62)	8	22.4(0.88)	130(5.12)	71±0.5(2.80±0.02)	28.4(1.12)	1.6(0.06) ^{*4}
A	4	ANSI Class 600	209.6(8.25)	168.1(6.62)	8	22.4(0.88)	130(5.12)	71±0.5(2.80±0.02)	38.4(1.51) ^{*8}	6.4(0.25) ^{*2}
A	5	ANSI Class 900	241.3(9.50)	190.5(7.50)	8	25.4(1.00)	130(5.12)	71±0.5(2.80±0.02)	38.1(1.50)	0
A	6	ANSI Class 1500	266.7(10.50)	203.2(8.00)	8	31.8(1.25)	130(5.12)	71±0.5(2.80±0.02)	47.8(1.88)	0
P	1	JPI Class 150	190(7.48)	152.4(6.00)	4	19(0.75)	130(5.12)	71±0.5(2.80±0.02)	24(0.94)	1.6(0.06)
P	2	JPI Class 300	210(8.27)	168.1(6.62)	8	22(0.87)	130(5.12)	71±0.5(2.80±0.02)	28.5(1.12)	1.6(0.06)
P	4	JPI Class 600	210(8.27)	168.1(6.62)	8	22(0.87)	130(5.12)	71±0.5(2.80±0.02)	38.4(1.51) ^{*5}	6.4(0.25) ^{*2}
P	5	JPI Class 900	241(9.49)	190.5(7.50)	8	26(1.02)	130(5.12)	71±0.5(2.80±0.02)	38.5(1.52) ^{*6}	0 ^{*7}
P	6	JPI Class 1500	267(10.51)	203.2(8.00)	8	32(1.26)	130(5.12)	71±0.5(2.80±0.02)	48(1.89)	0
D	H	DIN PN 10/16	200(7.87)	160(6.30)	8	18(0.71)	130(5.12)	71±0.5(2.80±0.02)	20(0.79)	0
D	K	DIN PN 25/40	200(7.87)	160(6.30)	8	18(0.71)	130(5.12)	71±0.5(2.80±0.02)	24(0.94)	0

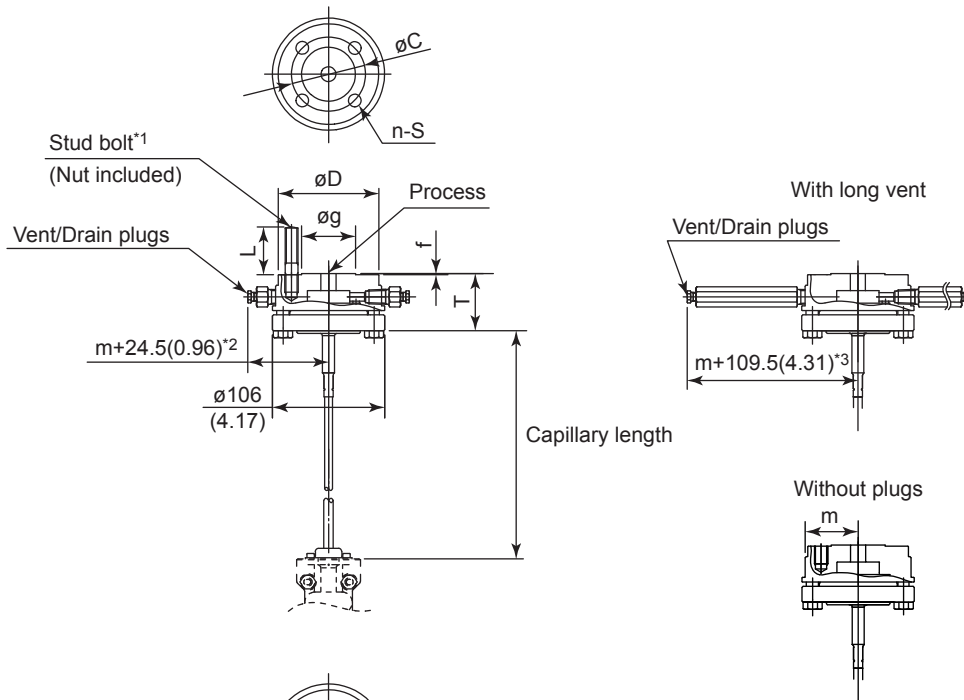
- *2: For flange material code A(S25C), value of f is 0 mm
- *3: For flange material code A(S25C), value of t is 38.5 mm.
- *4: For flange material code S(SUS316L), value of f is 0 mm.
- *5: For flange material code A(S25C), value of t is 32 mm.
- *6: For flange material code C(SUS316), value of t is 44.5 mm.
- *7: For flange material code C(SUS316), value of t is 6.4 mm.
- *8: For flange material code A(S25C), value of t is 31.8 mm.

● C81FA, C82FA Remote Mount Inner Diaphragm Adapter Connection Seal

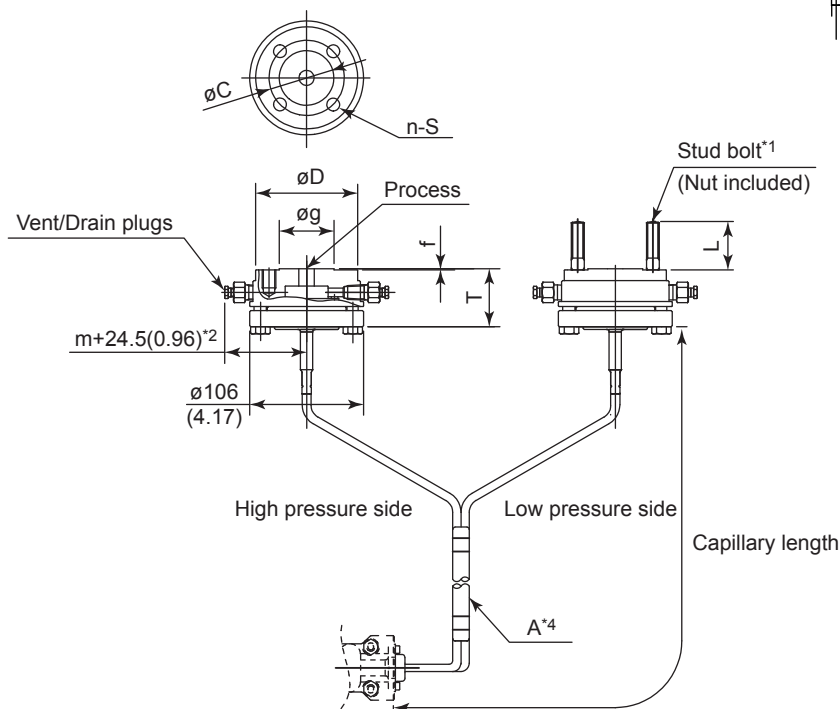
[Raised Face (RF)]

Unit: mm (approx. inch)

C82FA



C81FA



*1: Stud bolts and nuts are attached for n pcs. (2×n pcs for C81FA)

*2: In the case of oil-prohibited use or oil-prohibited use with dehydrating treatment, +15 mm(0.59 inch).

*3: In the case of oil-prohibited use or oil-prohibited use with dehydrating treatment, +11 mm(0.43 inch).

*4: In the case of C81FA, the capillaries are bundled at "A", having 1 m(39.37 inch) left unbundled towards the remote seal part.

F82E.ai

Unit: mm (approx. inch)

[Flange for general use / flange for high temperature use without vent plugs]**Process flange size: 15A (1/2B)**

Flange Standard Code	Flange Rating Code	Flange Rating	øD	øC*1	øg	T*2	f	m	n	S	L (Reference)
J	A	JIS 10K	95(3.74)	70(2.76)	51(2.01)	52(2.05)	1(0.04)	50(1.97)	4	M12×1.75	43(1.69)
J	B	JIS 20K	95(3.74)	70(2.76)	51(2.01)	52(2.05)	1(0.04)	50(1.97)	4	M12×1.75	43(1.69)
J	C	JIS 30K	115(4.53)	80(3.15)	55(2.17)	52(2.05)	1(0.04)	57.5(2.26)	4	M16×2.0	57(2.24)
J	D	JIS 40K	115(4.53)	80(3.15)	55(2.17)	52(2.05)	1(0.04)	57.5(2.26)	4	M16×2.0	57(2.24)
A	1	ANSI class 150	88.9(3.50)	60.5(2.38)	35.1(1.38)	52(2.05)	1.6(0.06)	50(1.97)	4	1/2-13UNC	44(1.73)
A	2	ANSI class 300	95.3(3.75)	66.5(2.62)	35.1(1.38)	52(2.05)	1.6(0.06)	50(1.97)	4	1/2-13UNC	44(1.73)
A	4	ANSI class 600	95.3(3.75)	66.5(2.62)	35.1(1.38)	62(2.44)	6.4(0.25)	53(2.09)	4	1/2-13UNC	59(2.32)
P	1	JPI class 150	89(3.50)	60.5(2.38)	35.1(1.38)	52(2.05)	1.6(0.06)	50(1.97)	4	1/2-13UNC	44(1.73)
P	2	JPI class 300	95(3.74)	66.5(2.62)	35.1(1.38)	52(2.05)	1.6(0.06)	50(1.97)	4	1/2-13UNC	44(1.73)
P	4	JPI class 600	95(3.74)	66.5(2.62)	35.1(1.38)	62(2.44)	6.4(0.25)	53(2.09)	4	1/2-13UNC	59(2.32)

Process flange size: 20A (3/4B)

Flange Standard Code	Flange Rating Code	Flange Rating	øD	øC*1	øg	T*2	f	m	n	S	L (Reference)
J	A	JIS 10K	100(3.94)	75(2.95)	56(2.20)	52(2.05)	1(0.04)	50(1.97)	4	M12×1.75	43(1.69)
J	B	JIS 20K	100(3.94)	75(2.95)	56(2.20)	52(2.05)	1(0.04)	50(1.97)	4	M12×1.75	43(1.69)
J	C	JIS 30K	120(4.72)	85(3.35)	60(2.36)	52(2.05)	1(0.04)	60(2.36)	4	M16×2.0	57(2.24)
J	D	JIS 40K	120(4.72)	85(3.35)	60(2.36)	52(2.05)	1(0.04)	60(2.36)	4	M16×2.0	57(2.24)
A	1	ANSI class 150	98.6(3.75)	69.9(2.75)	42.9(1.69)	52(2.05)	1.6(0.06)	50(1.97)	4	1/2-13UNC	44(1.73)
A	2	ANSI class 300	117.3(4.62)	82.6(3.25)	42.9(1.69)	52(2.05)	1.6(0.06)	58.7(2.31)	4	5/8-11UNC	51(2.01)
A	4	ANSI class 600	117.3(4.62)	82.6(3.25)	42.9(1.69)	62(2.44)	6.4(0.25)	58.7(2.31)	4	5/8-11UNC	67(2.64)
P	1	JPI class 150	99(3.90)	69.8(2.75)	42.9(1.69)	52(2.05)	1.6(0.06)	50(1.97)	4	1/2-13UNC	44(1.73)
P	2	JPI class 300	117(4.61)	82.6(3.25)	42.9(1.69)	52(2.05)	1.6(0.06)	58.7(2.31)	4	5/8-11UNC	51(2.01)
P	4	JPI class 600	117(4.61)	82.6(3.25)	42.9(1.69)	62(2.44)	6.4(0.25)	58.7(2.31)	4	5/8-11UNC	67(2.64)

Process flange size: 25A (1B)

Flange Standard Code	Flange Rating Code	Flange Rating	øD	øC*1	øg	T*2	f	m	n	S	L (Reference)
J	A	JIS 10K	125(4.92)	90(3.54)	67(2.64)	52(2.05)	1(0.04)	62.5(2.46)	4	M16×2.0	57(2.24)
J	B	JIS 20K	125(4.92)	90(3.54)	67(2.64)	52(2.05)	1(0.04)	62.5(2.46)	4	M16×2.0	57(2.24)
J	C	JIS 30K	130(5.12)	95(3.74)	70(2.76)	52(2.05)	1(0.04)	65(2.56)	4	M16×2.0	57(2.24)
J	D	JIS 40K	130(5.12)	95(3.74)	70(2.76)	52(2.05)	1(0.04)	65(2.56)	4	M16×2.0	57(2.24)
A	1	ANSI class 150	108(4.25)	79.2(3.12)	50.8(2.00)	52(2.05)	1.6(0.06)	54(2.13)	4	1/2-13UNC	44(1.73)
A	2	ANSI class 300	124(4.88)	88.9(3.50)	50.8(2.00)	52(2.05)	1.6(0.06)	62(2.44)	4	5/8-11UNC	51(2.01)
A	4	ANSI class 600	124(4.88)	88.9(3.50)	50.8(2.00)	62(2.44)	6.4(0.25)	62(2.44)	4	5/8-11UNC	67(2.64)
P	1	JPI class 150	108(4.25)	79.2(3.12)	50.8(2.00)	52(2.05)	1.6(0.06)	54(2.13)	4	1/2-13UNC	44(1.73)
P	2	JPI class 300	124(4.88)	88.9(3.50)	50.8(2.00)	52(2.05)	1.6(0.06)	62(2.44)	4	5/8-11UNC	51(2.01)
P	4	JPI class 600	124(4.88)	88.9(3.50)	50.8(2.00)	62(2.44)	6.4(0.25)	62(2.44)	4	5/8-11UNC	67(2.64)

*1: This value is the same as flange standards. Actual value might be added 1 mm(0.04 inch) because the commercial gaskets can be used.

*2: Use the following value for size T when tantalum (code: T) is specified for diaphragm material;
58 mm(2.28 inch) for JIS flange
59 mm(2.32 inch) for ANSI and JPI flange.

Unit: mm (approx. inch)

[Flange for high temperature use with vent plugs]

Process flange size: 15A (1/2B)

Flange Standard Code	Flange Rating Code	Flange Rating	øD	øC*1	øg	T	f	m	n	S	L (Reference)
J	A	JIS 10K	120(4.72)	70(2.76)	51(2.01)	54.5(2.15)	1(0.04)	60(2.36)	4	M12×1.75	43(1.69)
J	B	JIS 20K	120(4.72)	70(2.76)	51(2.01)	54.5(2.15)	1(0.04)	60(2.36)	4	M12×1.75	43(1.69)
J	C	JIS 30K	120(4.72)	80(3.15)	55(2.17)	54.5(2.15)	1(0.04)	60(2.36)	4	M16×2.0	57(2.24)
J	D	JIS 40K	120(4.72)	80(3.15)	55(2.17)	54.5(2.15)	1(0.04)	60(2.36)	4	M16×2.0	57(2.24)
A	1	ANSI class 150	120(4.72)	60.5(2.38)	35.1(1.38)	54.5(2.15)	1.6(0.06)	60(2.36)	4	1/2-13UNC	44(1.73)
A	2	ANSI class 300	120(4.72)	66.5(2.62)	35.1(1.38)	54.5(2.15)	1.6(0.06)	60(2.36)	4	1/2-13UNC	44(1.73)
A	4	ANSI class 600	120(4.72)	66.5(2.62)	35.1(1.38)	65.1(2.56)	6.4(0.25)	60(2.36)	4	1/2-13UNC	59(2.32)
P	1	JPI class 150	120(4.72)	60.5(2.38)	35.1(1.38)	54.5(2.15)	1.6(0.06)	60(2.36)	4	1/2-13UNC	44(1.73)
P	2	JPI class 300	120(4.72)	66.5(2.62)	35.1(1.38)	54.5(2.15)	1.6(0.06)	60(2.36)	4	1/2-13UNC	44(1.73)
P	4	JPI class 600	120(4.72)	66.5(2.62)	35.1(1.38)	65.1(2.56)	6.4(0.25)	60(2.36)	4	1/2-13UNC	59(2.32)

Process flange size: 20A (3/4B)

Flange Standard Code	Flange Rating Code	Flange Rating	øD	øC*1	øg	T	f	m	n	S	L (Reference)
J	A	JIS 10K	120(4.72)	75(2.95)	56(2.20)	54.5(2.15)	1(0.04)	60(2.36)	4	M12×1.75	43(1.69)
J	B	JIS 20K	120(4.72)	75(2.95)	56(2.20)	54.5(2.15)	1(0.04)	60(2.36)	4	M12×1.75	43(1.69)
J	C	JIS 30K	120(4.72)	85(3.35)	60(2.36)	54.5(2.15)	1(0.04)	60(2.36)	4	M16×2.0	57(2.24)
J	D	JIS 40K	120(4.72)	85(3.35)	60(2.36)	54.5(2.15)	1(0.04)	60(2.36)	4	M16×2.0	57(2.24)
A	1	ANSI class 150	120(4.72)	69.9(2.75)	42.9(1.69)	54.5(2.15)	1.6(0.06)	60(2.36)	4	1/2-13UNC	44(1.73)
A	2	ANSI class 300	120(4.72)	82.6(3.25)	42.9(1.69)	54.5(2.15)	1.6(0.06)	60(2.36)	4	5/8-11UNC	51(2.01)
A	4	ANSI class 600	120(4.72)	82.6(3.25)	42.9(1.69)	65.1(2.56)	6.4(0.25)	60(2.36)	4	5/8-11UNC	67(2.64)
P	1	JPI class 150	120(4.72)	69.9(2.75)	42.9(1.69)	54.5(2.15)	1.6(0.06)	60(2.36)	4	1/2-13UNC	44(1.73)
P	2	JPI class 300	120(4.72)	82.6(3.25)	42.9(1.69)	54.5(2.15)	1.6(0.06)	60(2.36)	4	5/8-11UNC	51(2.01)
P	4	JPI class 600	120(4.72)	82.6(3.25)	42.9(1.69)	65.1(2.56)	6.4(0.25)	60(2.36)	4	5/8-11UNC	67(2.64)

Process flange size: 25A (1B)

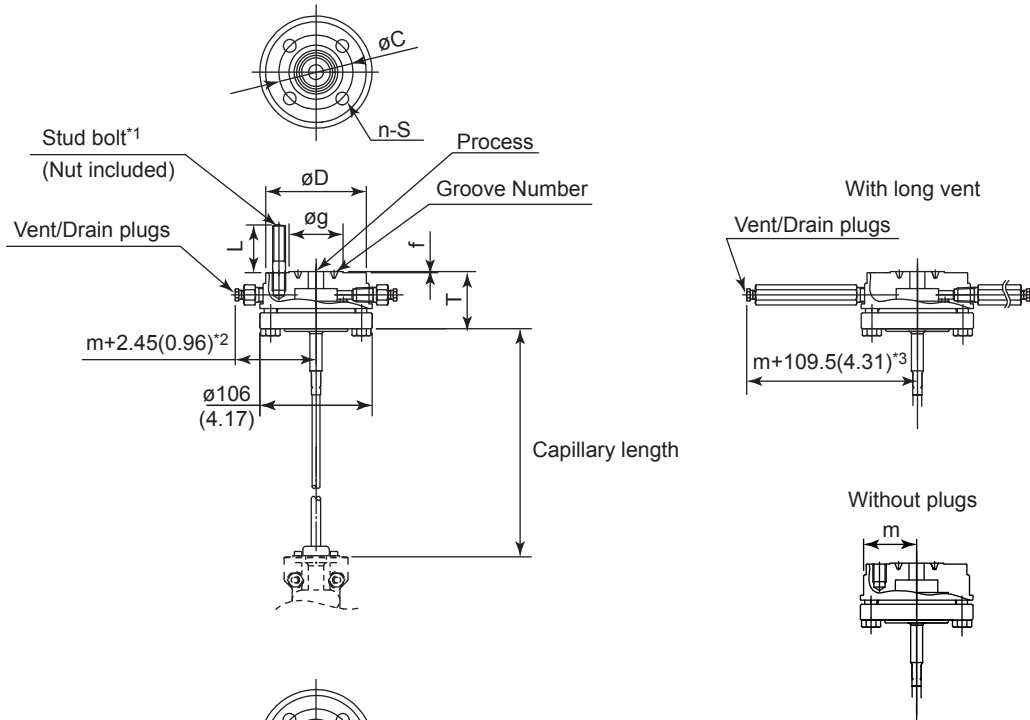
Flange Standard Code	Flange Rating Code	Flange Rating	øD	øC*1	øg	T	f	m	n	S	L (Reference)
J	A	JIS 10K	125(4.92)	90(3.54)	67(2.64)	54.5(2.15)	1(0.04)	62.5(2.46)	4	M16×2.0	57(2.24)
J	B	JIS 20K	125(4.92)	90(3.54)	67(2.64)	54.5(2.15)	1(0.04)	62.5(2.46)	4	M16×2.0	57(2.24)
J	C	JIS 30K	130(5.12)	95(3.74)	70(2.76)	54.5(2.15)	1(0.04)	65(2.56)	4	M16×2.0	57(2.24)
J	D	JIS 40K	130(5.12)	95(3.74)	70(2.76)	54.5(2.15)	1(0.04)	65(2.56)	4	M16×2.0	57(2.24)
A	1	ANSI class 150	120(4.72)	79.2(3.12)	50.8(2.00)	54.5(2.15)	1.6(0.06)	60(2.36)	4	1/2-13UNC	44(1.73)
A	2	ANSI class 300	124(4.88)	88.9(3.50)	50.8(2.00)	54.5(2.15)	1.6(0.06)	62(2.44)	4	5/8-11UNC	51(2.01)
A	4	ANSI class 600	124(4.88)	88.9(3.50)	50.8(2.00)	65.1(2.56)	6.4(0.25)	62(2.44)	4	5/8-11UNC	67(2.64)
P	1	JPI class 150	120(4.72)	79.2(3.12)	50.8(2.00)	54.5(2.15)	1.6(0.06)	60(2.36)	4	1/2-13UNC	44(1.73)
P	2	JPI class 300	124(4.88)	88.9(3.50)	50.8(2.00)	54.5(2.15)	1.6(0.06)	62(2.44)	4	5/8-11UNC	51(2.01)
P	4	JPI class 600	124(4.88)	88.9(3.50)	50.8(2.00)	65.1(2.56)	6.4(0.25)	62(2.44)	4	5/8-11UNC	67(2.64)

*1: This value is the same as flange standards. Actual value might be added 1 mm(0.04 inch) because the commercial gaskets can be used.

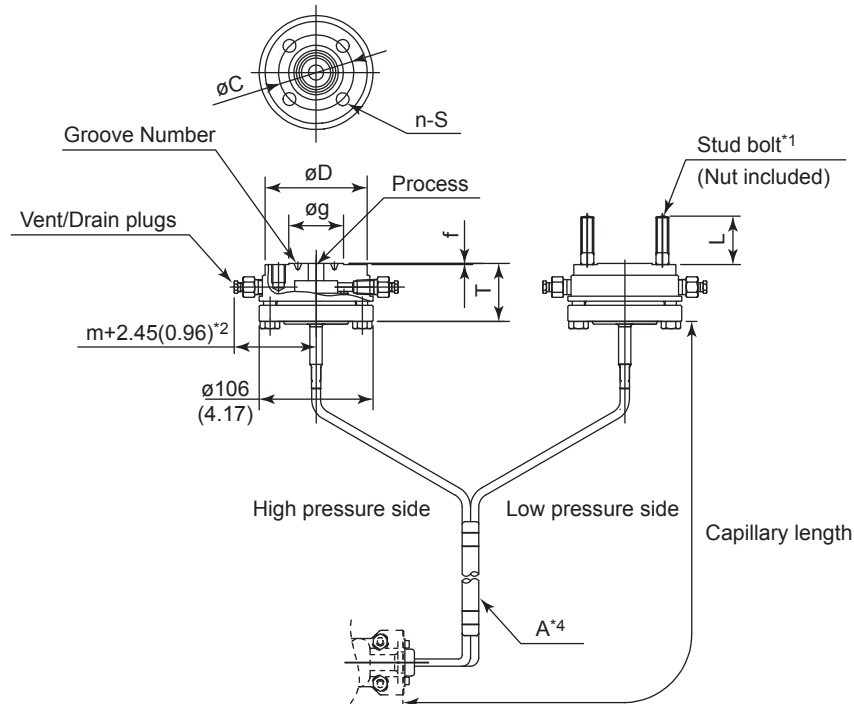
[Ring Joint (RJ)]

Unit: mm (approx. inch)

C82FA



C81FA



*1: Stud bolts and nuts are attached for n pcs. ($2 \times n$ pcs for C81FA)

*2: In the case of oil-prohibited use or oil-prohibited use with dehydrating treatment, +15 mm(0.59 inch).

*3: In the case of oil-prohibited use or oil-prohibited use with dehydrating treatment, +11 mm(0.43 inch).

*4: In the case of C81FA, the capillaries are bundled at "A", having 1 m(39.37 inch) left unbundled towards the remote seal part.

F83E.ai

Unit: mm (approx. inch)

[Flange for general use / flange for high temperature use without vent plugs]

Process flange size: 15A (1/2B)

Flange Standard Code	Flange Rating Code	Flange Rating	øD	øC	øg	T*1	f	m	n	S	L (Reference)	Groove number
A	2	ANSI class 300	95.3(3.75)	66.5(2.62)	50.8(2.00)	56.4(2.22)	5.56(0.22)	50(1.97)	4	1/2-13UNC	44(1.73)	R11
A	4	ANSI class 600	95.3(3.75)	66.5(2.62)	50.8(2.00)	61.5(2.42)	5.56(0.22)	53(2.09)	4	1/2-13UNC	59(2.32)	R11
P	2	JPI class 300	95(3.74)	66.5(2.62)	51(2.01)	56.4(2.22)	5.56(0.22)	50(1.97)	4	1/2-13UNC	44(1.73)	R11
P	4	JPI class 600	95(3.74)	66.5(2.62)	51(2.01)	61.5(2.42)	5.56(0.22)	53(2.09)	4	1/2-13UNC	59(2.32)	R11

Process flange size: 20A (3/4B)

Flange Standard Code	Flange Rating Code	Flange Rating	øD	øC	øg	T*2	f	m	n	S	L (Reference)	Groove number
A	2	ANSI class 300	117.3(4.62)	82.6(3.25)	63.5(2.50)	56.9(2.24)	6.35(0.25)	58.7(2.31)	4	5/8-11UNC	51(2.01)	R13
A	4	ANSI class 600	117.3(4.62)	82.6(3.25)	63.5(2.50)	62(2.44)	6.35(0.25)	58.7(2.31)	4	5/8-11UNC	67(2.64)	R13
P	2	JPI class 300	117(4.61)	82.6(3.25)	63.5(2.50)	56.9(2.24)	6.35(0.25)	58.5(2.30)	4	5/8-11UNC	51(2.01)	R13
P	4	JPI class 600	117(4.61)	82.6(3.25)	63.5(2.50)	62(2.44)	6.35(0.25)	58.5(2.30)	4	5/8-11UNC	67(2.64)	R13

Process flange size: 25A (1B)

Flange Standard Code	Flange Rating Code	Flange Rating	øD	øC	øg	T*2	f	m	n	S	L (Reference)	Groove number
A	2	ANSI class 300	124(4.88)	88.9(3.50)	69.9(2.75)	56.9(2.24)	6.35(0.25)	62(2.44)	4	5/8-11UNC	51(2.01)	R16
A	4	ANSI class 600	124(4.88)	88.9(3.50)	69.9(2.75)	62(2.44)	6.35(0.25)	62(2.44)	4	5/8-11UNC	67(2.64)	R16
P	2	JPI class 300	124(4.88)	88.9(3.50)	70(2.76)	56.9(2.24)	6.35(0.25)	62(2.44)	4	5/8-11UNC	51(2.01)	R16
P	4	JPI class 600	124(4.88)	88.9(3.50)	70(2.76)	62(2.44)	6.35(0.25)	62(2.44)	4	5/8-11UNC	67(2.64)	R16

*1: Size T is 63 mm(2.48 inch) when tantalum (code: T) is specified for diaphragm material.

*2: Size T is 64 mm(2.52 inch) when tantalum (code: T) is specified for diaphragm material.

[Flange for high temperature use with vent plugs]

Process flange size: 15A (1/2B)

Flange Standard Code	Flange Rating Code	Flange Rating	øD	øC	øg	T	f	m	n	S	L (Reference)	Groove number
A	2	ANSI class 300	120(4.72)	66.5(2.62)	50.8(2.00)	60(2.36)	5.56(0.22)	60(2.36)	4	1/2-13UNC	44(1.73)	R11
A	4	ANSI class 600	120(4.72)	66.5(2.62)	50.8(2.00)	65.1(2.56)	5.56(0.22)	60(2.36)	4	1/2-13UNC	59(2.32)	R11
P	2	JPI class 300	120(4.72)	66.5(2.62)	51(2.01)	60(2.36)	5.56(0.22)	60(2.36)	4	1/2-13UNC	44(1.73)	R11
P	4	JPI class 600	120(4.72)	66.5(2.62)	51(2.01)	65.1(2.56)	5.56(0.22)	60(2.36)	4	1/2-13UNC	59(2.32)	R11

Process flange size: 20A (3/4B)

Flange Standard Code	Flange Rating Code	Flange Rating	øD	øC	øg	T	f	m	n	S	L (Reference)	Groove number
A	2	ANSI class 300	120(4.72)	82.6(3.25)	63.5(2.50)	60(2.36)	6.35(0.25)	60(2.36)	4	5/8-11UNC	51(2.01)	R13
A	4	ANSI class 600	120(4.72)	82.6(3.25)	63.5(2.50)	65.1(2.56)	6.35(0.25)	60(2.36)	4	5/8-11UNC	67(2.64)	R13
P	2	JPI class 300	120(4.72)	82.6(3.25)	63.5(2.50)	60(2.36)	6.35(0.25)	60(2.36)	4	5/8-11UNC	51(2.01)	R13
P	4	JPI class 600	120(4.72)	82.6(3.25)	63.5(2.50)	65.1(2.56)	6.35(0.25)	60(2.36)	4	5/8-11UNC	67(2.64)	R13

Process flange size: 25A (1B)

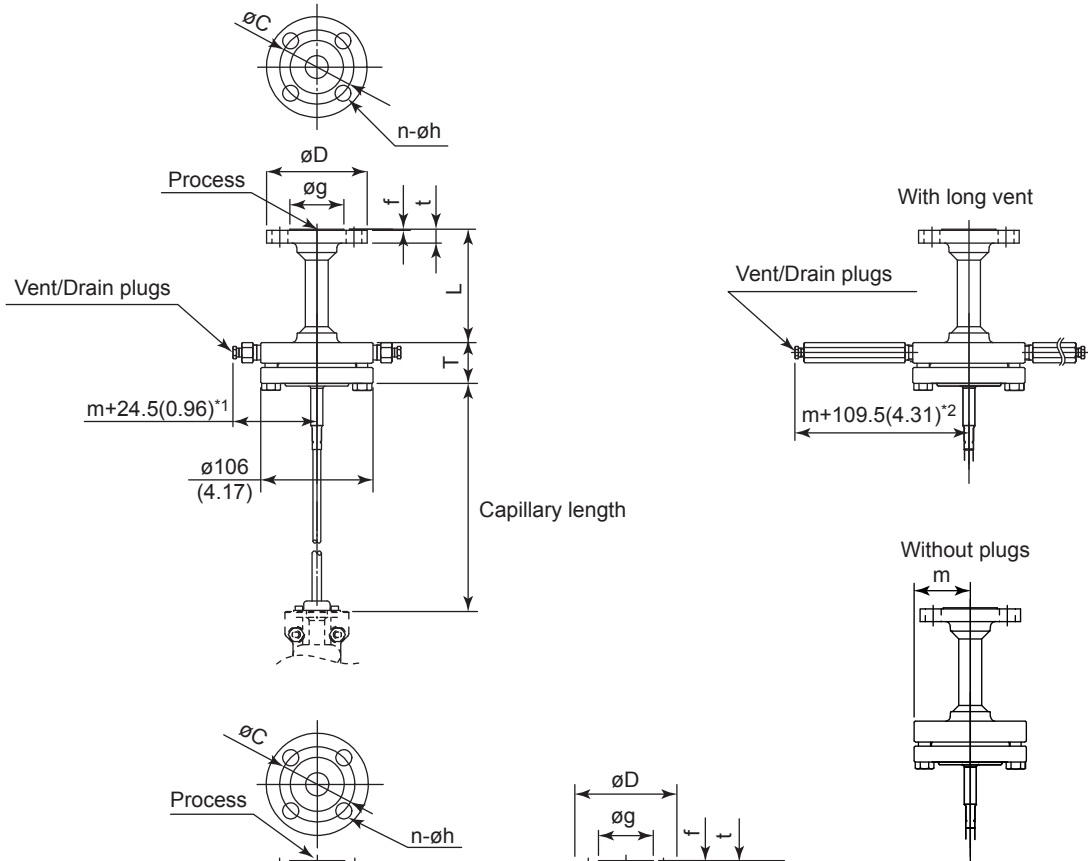
Flange Standard Code	Flange Rating Code	Flange Rating	øD	øC	øg	T	f	m	n	S	L (Reference)	Groove number
A	2	ANSI class 300	124(4.88)	88.9(3.50)	69.9(2.75)	60(2.36)	6.35(0.25)	62(2.44)	4	5/8-11UNC	51(2.01)	R16
A	4	ANSI class 600	124(4.88)	88.9(3.50)	69.9(2.75)	65.1(2.56)	6.35(0.25)	62(2.44)	4	5/8-11UNC	67(2.64)	R16
P	2	JPI class 300	124(4.88)	88.9(3.50)	70(2.76)	60(2.36)	6.35(0.25)	62(2.44)	4	5/8-11UNC	51(2.01)	R16
P	4	JPI class 600	124(4.88)	88.9(3.50)	70(2.76)	65.1(2.56)	6.35(0.25)	62(2.44)	4	5/8-11UNC	67(2.64)	R16

● C81FD, C82FD Remote Mount Inner Diaphragm Flanged Seal

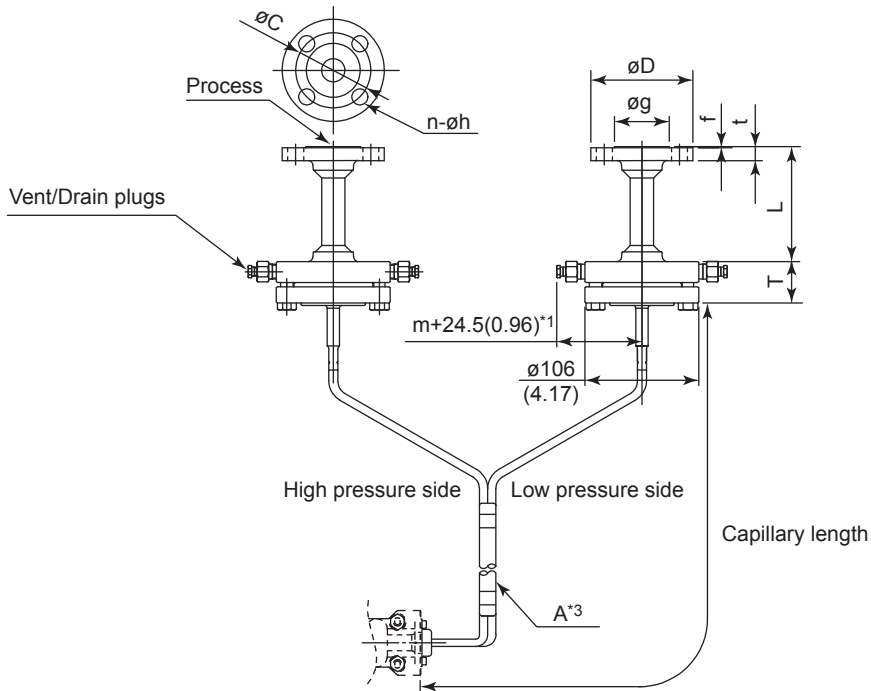
[Raised Face (RF)]

Unit: mm (approx. inch)

C82FD



C81FD



*1: In the case of oil-prohibited use or oil-prohibited use with dehydrating treatment, +15 mm(0.59 inch).

*2: In the case of oil-prohibited use or oil-prohibited use with dehydrating treatment, +11 mm(0.43 inch).

*3: In the case of C81FD, the capillaries are bundled at "A", having 1 m(39.37 inch) left unbundled towards the remote seal part.

F84E.ai

Unit: mm (approx. inch)

[Flange for general use / flange for high temperature use without vent plugs]

Process flange size: 15A (1/2B)

Flange Standard Code	Flange Rating Code	Flange Rating	øD	øC	øg	L	T*1	t	f	m	n	øh
J	A	JIS 10K	95(3.74)	70(2.76)	51(2.01)	108(4.25)	42(1.65)	12(0.47)	1(0.04)	53(2.09)	4	15(0.59)
J	B	JIS 20K	95(3.74)	70(2.76)	51(2.01)	108(4.25)	42(1.65)	14(0.55)	1(0.04)	53(2.09)	4	15(0.59)
J	C	JIS 30K	115(4.53)	80(3.15)	55(2.17)	108(4.25)	42(1.65)	18(0.71)	1(0.04)	53(2.09)	4	19(0.75)
J	D	JIS 40K	115(4.53)	80(3.15)	55(2.17)	108(4.25)	42(1.65)	20(0.79)	1(0.04)	53(2.09)	4	19(0.75)
A	1	ANSI class 150	88.9(3.50)	60.5(2.38)	35.1(1.38)	108(4.25)	42(1.65)	11.2(0.44)	1.6(0.06)	53(2.09)	4	15.7(0.62)
A	2	ANSI class 300	95.3(3.75)	66.5(2.62)	35.1(1.38)	108(4.25)	42(1.65)	14.3(0.56)	1.6(0.06)	53(2.09)	4	15.7(0.62)
A	4	ANSI class 600	95.3(3.75)	66.5(2.62)	35.1(1.38)	108(4.25)	57(2.24)	20.7(0.81)	6.4(0.25)	53(2.09)	4	15.7(0.62)
P	1	JPI class 150	89(3.50)	60.5(2.38)	35.1(1.38)	108(4.25)	42(1.65)	11.2(0.44)	1.6(0.06)	53(2.09)	4	16(0.63)
P	2	JPI class 300	95(3.74)	66.5(2.62)	35.1(1.38)	108(4.25)	42(1.65)	14.3(0.56)	1.6(0.06)	53(2.09)	4	16(0.63)
P	4	JPI class 600	95(3.74)	66.5(2.62)	35.1(1.38)	108(4.25)	57(2.24)	20.7(0.81)	6.4(0.25)	53(2.09)	4	16(0.63)

Process flange size: 20A (3/4B)

Flange Standard Code	Flange Rating Code	Flange Rating	øD	øC	øg	L	T*1	t	f	m	n	øh
J	A	JIS 10K	100(3.94)	75(2.95)	56(2.20)	108(4.25)	42(1.65)	14(0.55)	1(0.04)	53(2.09)	4	15(0.59)
J	B	JIS 20K	100(3.94)	75(2.95)	56(2.20)	108(4.25)	42(1.65)	16(0.63)	1(0.04)	53(2.09)	4	15(0.59)
J	C	JIS 30K	120(4.53)	85(3.35)	60(2.36)	108(4.25)	42(1.65)	18(0.71)	1(0.04)	53(2.09)	4	19(0.75)
J	D	JIS 40K	120(4.53)	85(3.35)	60(2.36)	108(4.25)	42(1.65)	20(0.79)	1(0.04)	53(2.09)	4	19(0.75)
A	1	ANSI class 150	98.6(3.88)	69.9(2.75)	42.9(1.69)	108(4.25)	42(1.65)	12.7(0.50)	1.6(0.06)	53(2.09)	4	15.7(0.62)
A	2	ANSI class 300	117.3(4.62)	82.6(3.25)	42.9(1.69)	108(4.25)	42(1.65)	15.8(0.62)	1.6(0.06)	53(2.09)	4	19.1(0.75)
A	4	ANSI class 600	117.3(4.62)	82.6(3.25)	42.9(1.69)	108(4.25)	57(2.24)	22.2(0.87)	6.4(0.25)	53(2.09)	4	19.1(0.75)
P	1	JPI class 150	99(3.90)	69.8(2.75)	42.9(1.69)	108(4.25)	42(1.65)	12.7(0.50)	1.6(0.06)	53(2.09)	4	16(0.63)
P	2	JPI class 300	117(4.61)	82.6(3.25)	42.9(1.69)	108(4.25)	42(1.65)	15.8(0.62)	1.6(0.06)	53(2.09)	4	19(0.75)
P	4	JPI class 600	117(4.61)	82.6(3.25)	42.9(1.69)	108(4.25)	57(2.24)	22.2(0.87)	6.4(0.25)	53(2.09)	4	19(0.75)

Process flange size: 25A (1B)

Flange Standard Code	Flange Rating Code	Flange Rating	øD	øC	øg	L	T*1	t	f	m	n	øh
J	A	JIS 10K	125(4.92)	90(3.54)	67(2.64)	108(4.25)	42(1.65)	14(0.55)	1(0.04)	53(2.09)	4	19(0.75)
J	B	JIS 20K	125(4.92)	90(3.54)	67(2.64)	108(4.25)	42(1.65)	16(0.63)	1(0.04)	53(2.09)	4	19(0.75)
J	C	JIS 30K	130(5.12)	95(3.74)	70(2.76)	108(4.25)	42(1.65)	20(0.79)	1(0.04)	53(2.09)	4	19(0.75)
J	D	JIS 40K	130(5.12)	95(3.74)	70(2.76)	108(4.25)	42(1.65)	22(0.87)	1(0.04)	53(2.09)	4	19(0.75)
A	1	ANSI class 150	108(4.25)	79.2(3.12)	50.8(2.00)	108(4.25)	42(1.65)	14.3(0.56)	1.6(0.06)	53(2.09)	4	15.7(0.62)
A	2	ANSI class 300	124(4.88)	88.9(3.50)	50.8(2.00)	108(4.25)	42(1.65)	17.6(0.69)	1.6(0.06)	53(2.09)	4	19.1(0.75)
A	4	ANSI class 600	124(4.88)	88.9(3.50)	50.8(2.00)	108(4.25)	57(2.24)	24(0.95)	6.4(0.25)	53(2.09)	4	19.1(0.75)
P	1	JPI class 150	108(4.25)	79.2(3.12)	50.8(2.00)	108(4.25)	42(1.65)	14.3(0.56)	1.6(0.06)	53(2.09)	4	16(0.63)
P	2	JPI class 300	124(4.88)	88.9(3.50)	50.8(2.00)	108(4.25)	42(1.65)	17.6(0.69)	1.6(0.06)	53(2.09)	4	19(0.75)
P	4	JPI class 600	124(4.88)	88.9(3.50)	50.8(2.00)	108(4.25)	57(2.24)	24(0.95)	6.4(0.25)	53(2.09)	4	19(0.75)

*1: Size T is 47 mm(1.85 inch) when tantalum (code: T) is specified for diaphragm material.

Unit: mm (approx. inch)

[Flange for high temperature use with vent plugs]

Process flange size: 15A (1/2B)

Flange Standard Code	Flange Rating Code	Flange Rating	øD	øC	øg	L	T	t	f	m	n	øh
J	A	JIS 10K	95(3.74)	70(2.76)	51(2.01)	108(4.25)	51(2.01)	12(0.47)	1(0.04)	60(2.36)	4	15(0.59)
J	B	JIS 20K	95(3.74)	70(2.76)	51(2.01)	108(4.25)	51(2.01)	14(0.55)	1(0.04)	60(2.36)	4	15(0.59)
J	C	JIS 30K	115(4.53)	80(3.15)	55(2.17)	108(4.25)	51(2.01)	18(0.71)	1(0.04)	60(2.36)	4	19(0.75)
J	D	JIS 40K	115(4.53)	80(3.15)	55(2.17)	108(4.25)	51(2.01)	20(0.79)	1(0.04)	60(2.36)	4	19(0.75)
A	1	ANSI class 150	88.9(3.50)	60.5(2.38)	35.1(1.38)	108(4.25)	51(2.01)	11.2(0.44)	1.6(0.06)	60(2.36)	4	15.7(0.62)
A	2	ANSI class 300	95.3(3.75)	66.5(2.62)	35.1(1.38)	108(4.25)	51(2.01)	14.3(0.56)	1.6(0.06)	60(2.36)	4	15.7(0.62)
A	4	ANSI class 600	95.3(3.75)	66.5(2.62)	35.1(1.38)	108(4.25)	57(2.24)	20.7(0.81)	6.4(0.25)	60(2.36)	4	15.7(0.62)
P	1	JPI class 150	89(3.50)	60.5(2.38)	35.1(1.38)	108(4.25)	51(2.01)	11.2(0.44)	1.6(0.06)	60(2.36)	4	16(0.63)
P	2	JPI class 300	95(3.74)	66.5(2.62)	35.1(1.38)	108(4.25)	51(2.01)	14.3(0.56)	1.6(0.06)	60(2.36)	4	16(0.63)
P	4	JPI class 600	95(3.74)	66.5(2.62)	35.1(1.38)	108(4.25)	57(2.24)	20.7(0.81)	6.4(0.25)	60(2.36)	4	16(0.63)

Process flange size: 20A (3/4B)

Flange Standard Code	Flange Rating Code	Flange Rating	øD	øC	øg	L	T	t	f	m	n	øh
J	A	JIS 10K	100(3.94)	75(2.95)	56(2.20)	108(4.25)	51(2.01)	14(0.55)	1(0.04)	60(2.36)	4	15(0.59)
J	B	JIS 20K	100(3.94)	75(2.95)	56(2.20)	108(4.25)	51(2.01)	16(0.63)	1(0.04)	60(2.36)	4	15(0.59)
J	C	JIS 30K	120(4.53)	85(3.35)	60(2.36)	108(4.25)	51(2.01)	18(0.71)	1(0.04)	60(2.36)	4	19(0.75)
J	D	JIS 40K	120(4.53)	85(3.35)	60(2.36)	108(4.25)	51(2.01)	20(0.79)	1(0.04)	60(2.36)	4	19(0.75)
A	1	ANSI class 150	98.6(3.88)	69.9(2.75)	42.9(1.69)	108(4.25)	51(2.01)	12.7(0.50)	1.6(0.06)	60(2.36)	4	15.7(0.62)
A	2	ANSI class 300	117.3(4.62)	82.6(3.25)	42.9(1.69)	108(4.25)	51(2.01)	15.8(0.62)	1.6(0.06)	60(2.36)	4	19.1(0.75)
A	4	ANSI class 600	117.3(4.62)	82.6(3.25)	42.9(1.69)	108(4.25)	57(2.24)	22.2(0.87)	6.4(0.25)	60(2.36)	4	19.1(0.75)
P	1	JPI class 150	99(3.90)	69.8(2.75)	42.9(1.69)	108(4.25)	51(2.01)	12.7(0.50)	1.6(0.06)	60(2.36)	4	16(0.63)
P	2	JPI class 300	117(4.61)	82.6(3.25)	42.9(1.69)	108(4.25)	51(2.01)	15.8(0.62)	1.6(0.06)	60(2.36)	4	19(0.75)
P	4	JPI class 600	117(4.61)	82.6(3.25)	42.9(1.69)	108(4.25)	57(2.24)	22.2(0.87)	6.4(0.25)	60(2.36)	4	19(0.75)

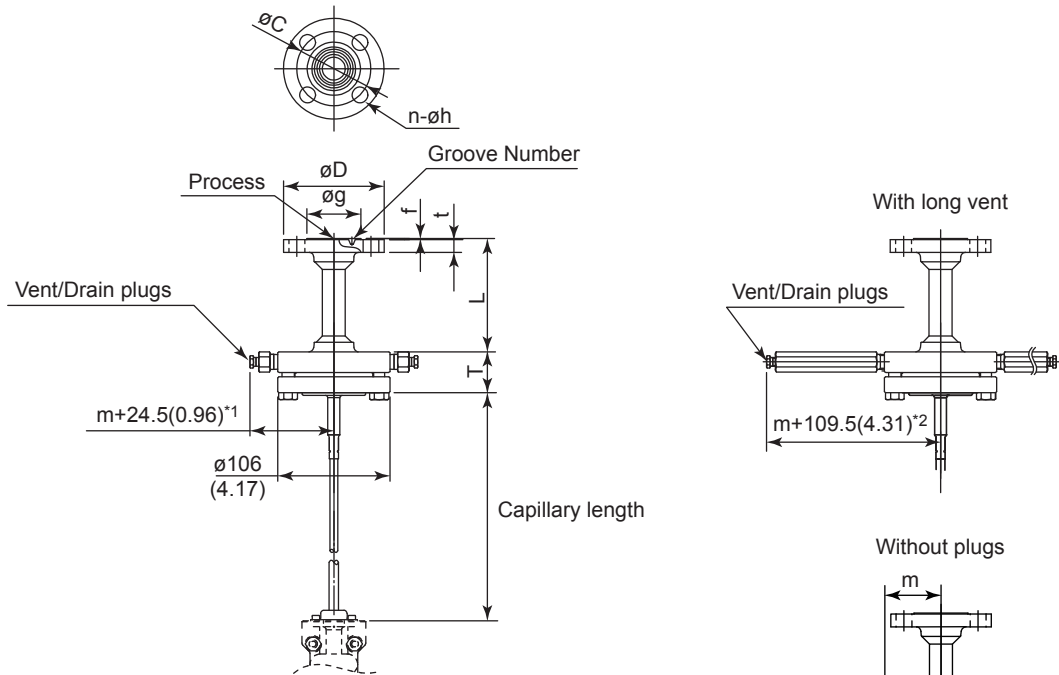
Process flange size: 25A (1B)

Flange Standard Code	Flange Rating Code	Flange Rating	øD	øC	øg	L	T	t	f	m	n	øh
J	A	JIS 10K	125(4.92)	90(3.54)	67(2.64)	108(4.25)	51(2.01)	14(0.55)	1(0.04)	60(2.36)	4	19(0.75)
J	B	JIS 20K	125(4.92)	90(3.54)	67(2.64)	108(4.25)	51(2.01)	16(0.63)	1(0.04)	60(2.36)	4	19(0.75)
J	C	JIS 30K	130(5.12)	95(3.74)	70(2.76)	108(4.25)	51(2.01)	20(0.79)	1(0.04)	60(2.36)	4	19(0.75)
J	D	JIS 40K	130(5.12)	95(3.74)	70(2.76)	108(4.25)	51(2.01)	22(0.87)	1(0.04)	60(2.36)	4	19(0.75)
A	1	ANSI class 150	108(4.25)	79.2(3.12)	50.8(2.00)	108(4.25)	51(2.01)	14.3(0.56)	1.6(0.06)	60(2.36)	4	15.7(0.62)
A	2	ANSI class 300	124(4.88)	88.9(3.50)	50.8(2.00)	108(4.25)	51(2.01)	17.6(0.69)	1.6(0.06)	60(2.36)	4	19.1(0.75)
A	4	ANSI class 600	124(4.88)	88.9(3.50)	50.8(2.00)	108(4.25)	57(2.24)	24(0.95)	6.4(0.25)	60(2.36)	4	19.1(0.75)
P	1	JPI class 150	108(4.25)	79.2(3.12)	50.8(2.00)	108(4.25)	51(2.01)	14.3(0.56)	1.6(0.06)	60(2.36)	4	16(0.63)
P	2	JPI class 300	124(4.88)	88.9(3.50)	50.8(2.00)	108(4.25)	51(2.01)	17.6(0.69)	1.6(0.06)	60(2.36)	4	19(0.75)
P	4	JPI class 600	124(4.88)	88.9(3.50)	50.8(2.00)	108(4.25)	57(2.24)	24(0.95)	6.4(0.25)	60(2.36)	4	19(0.75)

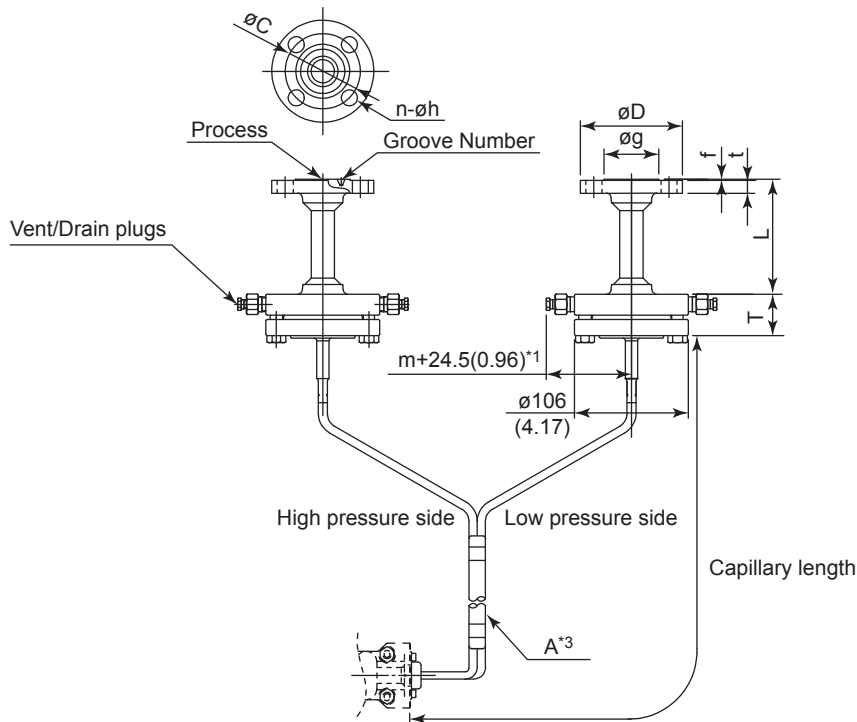
[Ring Joint (RJ)]

Unit: mm (approx. inch)

C82FD



C81FD



*1: In the case of oil-prohibited use or oil-prohibited use with dehydrating treatment, +15 mm(0.59 inch).

*2: In the case of oil-prohibited use or oil-prohibited use with dehydrating treatment, +11 mm(0.43 inch).

*3: In the case of C81FD, the capillaries are bundled at "A", having 1 m(39.37 inch) left unbundled towards the remote seal part.

F85E.ai

Unit: mm (approx. inch)

[Flange for general use / flange for high temperature use without vent plugs]

Process flange size: 15A (1/2B)

Flange Standard Code	Flange Rating Code	Flange Rating	øD	øC	øg	L	T*1	t	f	m	n	øh	Groove number
A	2	ANSI class 300	95.3(3.75)	66.5(2.62)	50.8(2.00)	124(4.88)	42(1.65)	14.3(0.56)	5.56(0.22)	53(2.09)	4	16(0.63)	R11
A	4	ANSI class 600	95.3(3.75)	66.5(2.62)	50.8(2.00)	124(4.88)	57(2.24)	14.3(0.56)	5.56(0.22)	53(2.09)	4	16(0.63)	R11
P	2	JPI class 300	95(3.74)	66.5(2.62)	51(2.01)	124(4.88)	42(1.65)	14.3(0.56)	5.56(0.22)	53(2.09)	4	16(0.63)	R11
P	4	JPI class 600	95(3.74)	66.5(2.62)	51(2.01)	124(4.88)	57(2.24)	14.3(0.56)	5.56(0.22)	53(2.09)	4	16(0.63)	R11

Process flange size: 20A (3/4B)

Flange Standard Code	Flange Rating Code	Flange Rating	øD	øC	øg	L	T*1	t	f	m	n	øh	Groove number
A	2	ANSI class 300	117.3(4.62)	82.6(3.25)	63.5(2.50)	128(5.04)	42(1.65)	15.8(0.62)	6.35(0.25)	53(2.09)	4	19(0.75)	R13
A	4	ANSI class 600	117.3(4.62)	82.6(3.25)	63.5(2.50)	128(5.04)	57(2.24)	15.8(0.62)	6.35(0.25)	53(2.09)	4	19(0.75)	R13
P	2	JPI class 300	117(4.61)	82.6(3.25)	63.5(2.50)	127(5.00)	42(1.65)	15.8(0.62)	6.35(0.25)	53(2.09)	4	19(0.75)	R13
P	4	JPI class 600	117(4.61)	82.6(3.25)	63.5(2.50)	127(5.00)	57(2.24)	15.8(0.62)	6.35(0.25)	53(2.09)	4	19(0.75)	R13

Process flange size: 25A (1B)

Flange Standard Code	Flange Rating Code	Flange Rating	øD	øC	øg	L	T*1	t	f	m	n	øh	Groove number
A	2	ANSI class 300	124(4.88)	88.9(3.50)	69.9(2.75)	129(5.08)	42(1.65)	17.6(0.69)	6.35(0.25)	53(2.09)	4	19(0.75)	R16
A	4	ANSI class 600	124(4.88)	88.9(3.50)	69.9(2.75)	129(5.08)	57(2.24)	17.6(0.69)	6.35(0.25)	53(2.09)	4	19(0.75)	R16
P	2	JPI class 300	124(4.88)	88.9(3.50)	70(2.76)	129(5.08)	42(1.65)	17.6(0.69)	6.35(0.25)	53(2.09)	4	19(0.75)	R16
P	4	JPI class 600	124(4.88)	88.9(3.50)	70(2.76)	129(5.08)	57(2.24)	17.6(0.69)	6.35(0.25)	53(2.09)	4	19(0.75)	R16

*1: Size T is 47 mm(1.85 inch) when tantalum (code: T) is specified for diaphragm material.

[Flange for high temperature use with vent plugs]

Process flange size: 15A (1/2B)

Flange Standard Code	Flange Rating Code	Flange Rating	øD	øC	øg	L	T	t	f	m	n	øh	Groove number
A	2	ANSI class 300	95.3(3.75)	66.5(2.62)	50.8(2.00)	124(4.88)	51(2.01)	14.3(0.56)	5.56(0.22)	60(2.36)	4	16(0.63)	R11
A	4	ANSI class 600	95.3(3.75)	66.5(2.62)	50.8(2.00)	124(4.88)	57(2.24)	14.3(0.56)	5.56(0.22)	60(2.36)	4	16(0.63)	R11
P	2	JPI class 300	95(3.74)	66.5(2.62)	51(2.01)	124(4.88)	51(2.01)	14.3(0.56)	5.56(0.22)	60(2.36)	4	16(0.63)	R11
P	4	JPI class 600	95(3.74)	66.5(2.62)	51(2.01)	124(4.88)	57(2.24)	14.3(0.56)	5.56(0.22)	60(2.36)	4	16(0.63)	R11

Process flange size: 20A (3/4B)

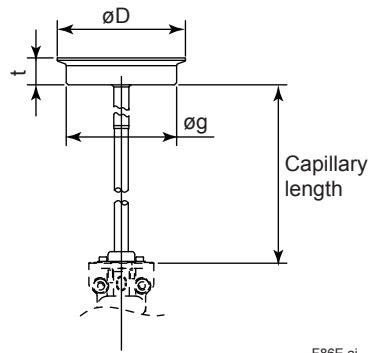
Flange Standard Code	Flange Rating Code	Flange Rating	øD	øC	øg	L	T	t	f	m	n	øh	Groove number
A	2	ANSI class 300	117.3(4.62)	82.6(3.25)	63.5(2.50)	128(5.04)	51(2.01)	15.8(0.62)	6.35(0.25)	60(2.36)	4	19(0.75)	R13
A	4	ANSI class 600	117.3(4.62)	82.6(3.25)	63.5(2.50)	128(5.04)	57(2.24)	15.8(0.62)	6.35(0.25)	60(2.36)	4	19(0.75)	R13
P	2	JPI class 300	117(4.61)	82.6(3.25)	63.5(2.50)	127(5.00)	51(2.01)	15.8(0.62)	6.35(0.25)	60(2.36)	4	19(0.75)	R13
P	4	JPI class 600	117(4.61)	82.6(3.25)	63.5(2.50)	127(5.00)	57(2.24)	15.8(0.62)	6.35(0.25)	60(2.36)	4	19(0.75)	R13

Process flange size: 25A (1B)

Flange Standard Code	Flange Rating Code	Flange Rating	øD	øC	øg	L	T	t	f	m	n	øh	Groove number
A	2	ANSI class 300	124(4.88)	88.9(3.50)	69.9(2.75)	129(5.08)	51(2.01)	17.6(0.69)	6.35(0.25)	60(2.36)	4	19(0.75)	R16
A	4	ANSI class 600	124(4.88)	88.9(3.50)	69.9(2.75)	129(5.08)	57(2.24)	17.6(0.69)	6.35(0.25)	60(2.36)	4	19(0.75)	R16
P	2	JPI class 300	124(4.88)	88.9(3.50)	70(2.76)	129(5.08)	51(2.01)	17.6(0.69)	6.35(0.25)	60(2.36)	4	19(0.75)	R16
P	4	JPI class 600	124(4.88)	88.9(3.50)	70(2.76)	129(5.08)	57(2.24)	17.6(0.69)	6.35(0.25)	60(2.36)	4	19(0.75)	R16

● C70SW Remote Mount Hygienic Diaphragm Seal (Flush type)

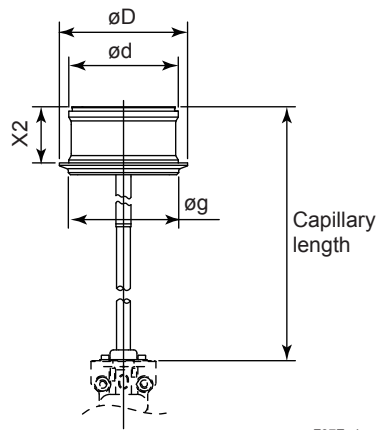
Unit: mm (approx. inch)



F86E.ai

● C70SE Remote Mount Hygienic Diaphragm Seal (Extended Type)

Unit: mm (approx. inch)



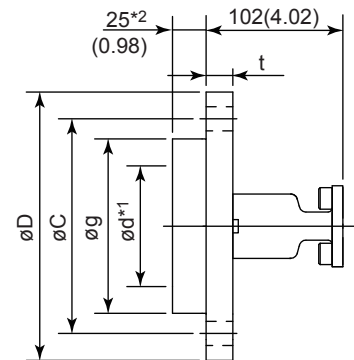
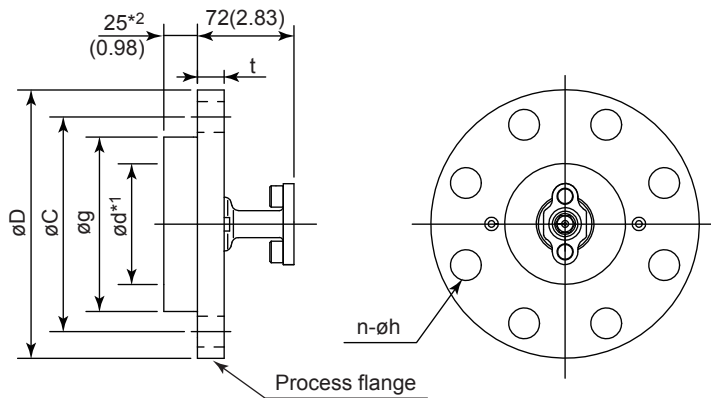
F87E.ai

● C20FW Direct Mount Flanged Diaphragm Seal (Flush type)

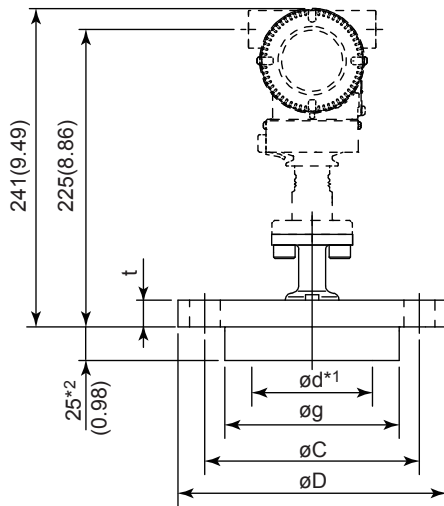
Unit: mm (approx. inch)

[For general use (Stay style code: S)]

[For high temperature use (Stay style code: L)]



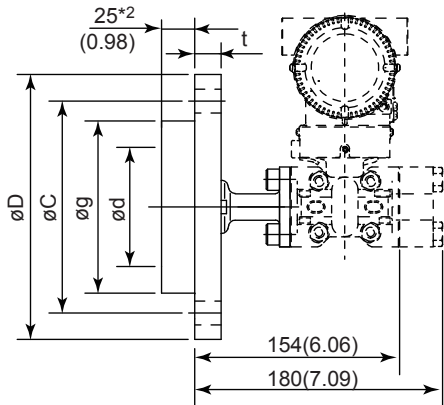
[For EJXC50A, EJAC50E, and EJXC40A]



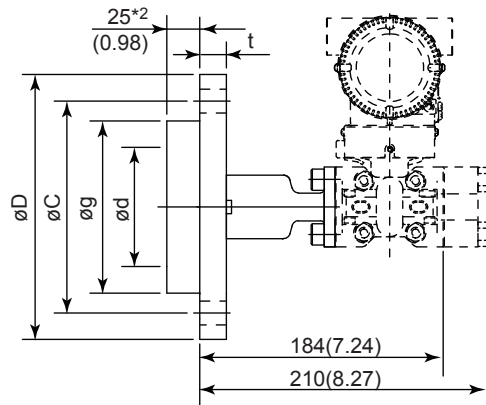
*1: Indicates inside diameter of gasket surface.
*2: 33 mm(1.3 inch) for Diaphragm material code and Sealing face material code U.

[For EJXC80A or EJAC80E]

[For general use]



[For high temperature use]



F88E.ai

Unit: mm (approx. inch)

Process flange size: 80A(3B)

Flange standards code	Flange rating code	Flange rating	øD	øC	øg	ød	t	Bolt holes	
								No.(n)	Dia.(øh)
J	A	JIS 10K	185(7.28)	150(5.91)	130(5.12)	90(3.54)	18(0.71)	8	19(0.75)
J	B	JIS 20K	200(7.87)	160(6.30)	130(5.12)	90(3.54)	22(0.87)	8	23(0.91)
J	D	JIS 40K	210 (8.27)	170(6.69)	130(5.12)	90(3.54)	32(1.26)	8	23(0.91)
A	1	ANSI class 150	190.5(7.50)	152.4(6.00)	130(5.12)	90(3.54)	23.9(0.94)	4	19.1(0.75)
A	2	ANSI class 300	209.6(8.25)	168.1(6.62)	130(5.12)	90(3.54)	28.5(1.12)	8	22.4(0.88)
A	4	ANSI class 600	209.6(8.25)	168.1(6.62)	130(5.12)	90(3.54)	31.8(1.25)	8	22.4(0.88)
P	1	JPI class 150	190(7.48)	152.4(6.00)	130(5.12)	90(3.54)	24(0.94)	4	19(0.75)
P	2	JPI class 300	210(8.27)	168.1(6.62)	130(5.12)	90(3.54)	28.5(1.12)	8	22(0.87)
P	4	JPI class 600	210(8.27)	168.1(6.62)	130(5.12)	90(3.54)	32.0(1.26)	8	22(0.87)
D	H	DIN PN 10/16	200(7.87)	160(6.30)	130(5.12)	90(3.54)	20(0.79)	8	18(0.71)
D	K	DIN PN 25/40	200(7.87)	160(6.30)	130(5.12)	90(3.54)	24(0.94)	8	18(0.71)

Process flange size: 50A(2B)

Flange standards code	Flange rating code	Flange rating	øD	øC	øg	ød	t	Bolt holes	
								No.(n)	Dia.(øh)
J	A	JIS 10K	155(6.10)	120(4.72)	100(3.94)	61(2.40)	16(0.63)	4	19(0.75)
J	B	JIS 20K	155(6.10)	120(4.72)	100(3.94)	61(2.40)	18(0.71)	8	19(0.75)
J	D	JIS 40K	165(6.50)	130(5.12)	100(3.94)	61(2.40)	26(1.02)	8	19(0.75)
A	1	ANSI class 150	152.4(6.00)	120.7(4.75)	100(3.94)	61(2.40)	19.1(0.75)	4	19.1(0.75)
A	2	ANSI class 300	165.1(6.50)	127.0(5.00)	100(3.94)	61(2.40)	22.4(0.88)	8	19.1(0.75)
A	4	ANSI class 600	165.1(6.50)	127.0(5.00)	100(3.94)	61(2.40)	25.4(1.00)	8	19.1(0.75)
P	1	JPI class 150	152(5.98)	120.6(4.75)	100(3.94)	61(2.40)	19.5(0.77)	4	19(0.75)
P	2	JPI class 300	165(6.50)	127.0(5.00)	100(3.94)	61(2.40)	22.5(0.89)	8	19(0.75)
P	4	JPI class 600	165(6.50)	127.0(5.00)	100(3.94)	61(2.40)	25.4(1.00)	8	19(0.75)
D	H	DIN PN 10/16	165(6.50)	125(4.92)	100(3.94)	61(2.40)	18(0.71)	4	18(0.71)
D	K	DIN PN 25/40	165(6.50)	125(4.92)	100(3.94)	61(2.40)	20(0.79)	4	18(0.71)

Process flange size : 40A(1.5B)

Flange standards code	Flange rating code	Flange rating	øD	øC	øg	ød	t	Bolt holes	
								No.(n)	Dia.(øh)
J	A	JIS 10K	140(5.51)	105(4.13)	86(3.39)	*1	16(0.63)	4	19(0.75)
J	B	JIS 20K	140(5.51)	105(4.13)	86(3.39)	*1	18(0.71)	4	19(0.75)
J	D	JIS 40K	160(6.30)	120(4.72)	86(3.39)	*1	24(0.94)	4	23(0.91)
A	1	ANSI class 150	127(5.00)	98.4(3.87)	86(3.39)	*1	17.5(0.69)	4	15.9(0.63)
A	2	ANSI class 300	155.4(6.12)	114.3(4.50)	86(3.39)	*1	20.6(0.81)	4	22.4(0.88)
A	4	ANSI class 600	155.4(6.12)	114.3(4.50)	86(3.39)	*1	22.4(0.88)	4	22.4(0.88)
P	1	JPI class 150	127(5.00)	98.6(3.88)	86(3.39)	*1	17.6(0.69)	4	16(0.63)
P	2	JPI class 300	155(6.10)	114.3(4.50)	86(3.39)	*1	20.6(0.81)	4	22(0.87)
P	4	JPI class 600	155(6.10)	114.3(4.50)	86(3.39)	*1	22.5(0.89)	4	22(0.87)

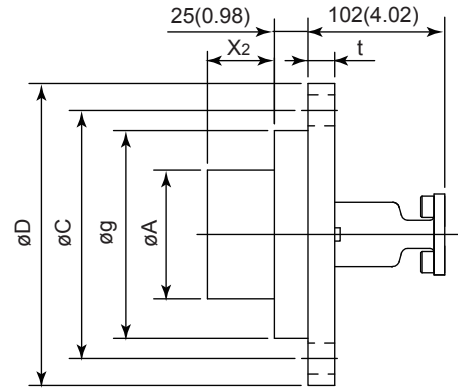
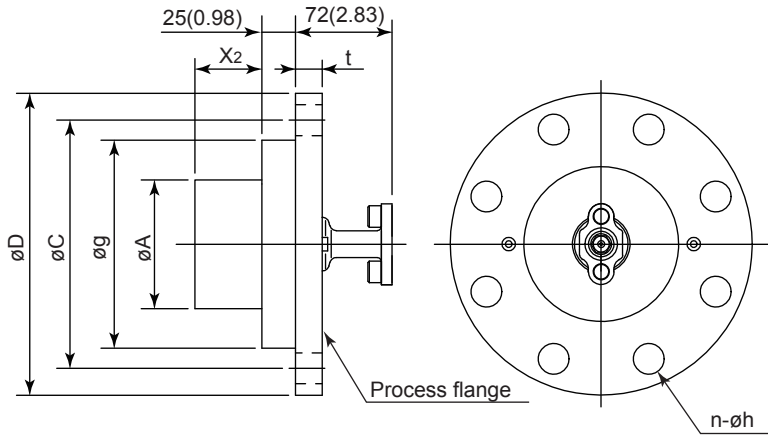
*1: Always use in combination with C10FR (ød = 44 mm)

● C20FE Direct Mount Flanged Diaphragm Seal (Extended type)

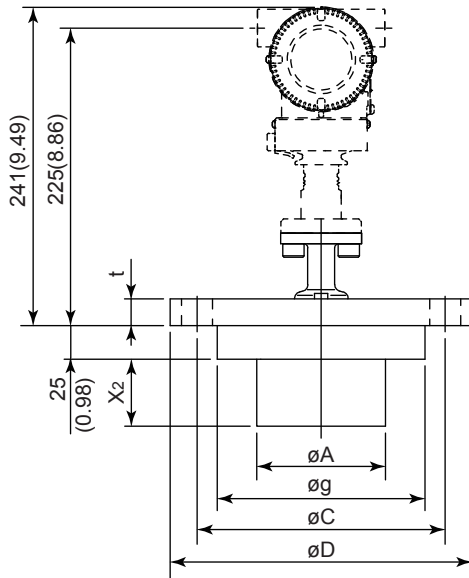
Unit: mm (approx. inch)

[For general use (Stay style code: S)]

[For high temperature use (Stay style code: L)]



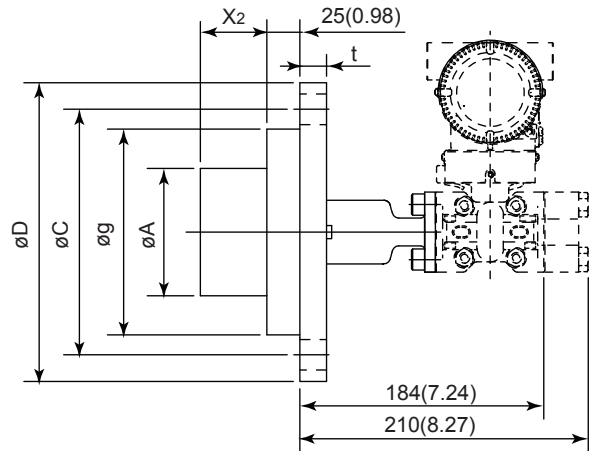
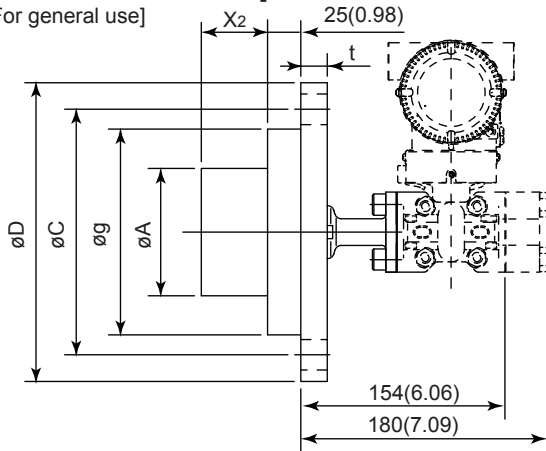
[For EJXC50A, EJAC50E, or EJXC40A]



[For EJXC80A or EJAC80E]

[For general use]

[For high temperature use]



F89E.ai

Unit: mm (approx. inch)

Process flange size: 100A(4B)

Flange standards code	Flange rating code	Flange rating	øD	øC	øg	t	Bolt holes		øA
							No.(n)	Dia.(øh)	
J	A	JIS 10K	210(8.27)	175(6.89)	155(6.10)	18(0.71)	8	19(0.75)	96±0.5(3.78±0.02)
J	B	JIS 20K	225(8.86)	185(7.28)	155(6.10)	24(0.94)	8	23(0.91)	96±0.5(3.78±0.02)
J	D	JIS 40K	250(9.84)	205(8.07)	155(6.10)	36(1.42)	8	25(0.98)	96±0.5(3.78±0.02)
A	1	ANSI class 150	228.6(9.00)	190.5(7.50)	155(6.10)	23.9(0.94)	8	19.1(0.75)	96±0.5(3.78±0.02)
A	2	ANSI class 300	254.0(10.00)	200.2(7.88)	155(6.10)	31.8(1.25)	8	22.4(0.88)	96±0.5(3.78±0.02)
A	4	ANSI class 600	273(10.75)	215.9(8.50)	155(6.10)	38.1(1.50)	8	25.4(1.00)	96±0.5(3.78±0.02)
P	1	JPI class 150	229(9.02)	190.5(7.50)	155(6.10)	24(0.94)	8	19(0.75)	96±0.5(3.78±0.02)
P	2	JPI class 300	254(10.0)	200.2(7.88)	155(6.10)	32(1.26)	8	22(0.87)	96±0.5(3.78±0.02)
P	4	JPI class 600	273(10.75)	215.9(8.50)	155(6.10)	38.5(1.52)	8	26(1.02)	96±0.5(3.78±0.02)
D	H	DIN PN 10/16	220(8.66)	180(7.09)	155(6.10)	20(0.79)	8	18(0.71)	96±0.5(3.78±0.02)
D	K	DIN PN 25/40	235(9.23)	190(7.48)	155(6.10)	24(0.94)	8	22(0.87)	96±0.5(3.78±0.02)

Process flange size: 80A(3B)

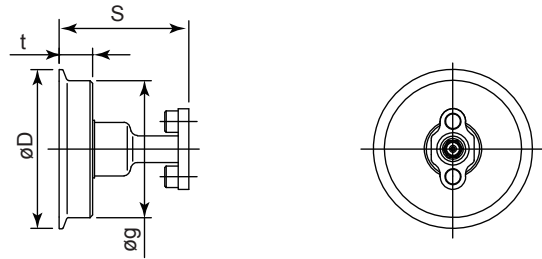
Flange standards code	Flange rating code	Flange rating	øD	øC	øg	t	Bolt holes		øA
							No.(n)	Dia.(øh)	
J	A	JIS 10K	185(7.28)	150(5.91)	130(5.12)	18(0.71)	8	19(0.75)	71±0.5(2.8±0.02)
J	B	JIS 20K	200(7.87)	160(6.30)	130(5.12)	22(0.87)	8	23(0.91)	71±0.5(2.8±0.02)
J	D	JIS 40K	210(8.27)	170(6.69)	130(5.12)	32(1.26)	8	23(0.91)	71±0.5(2.8±0.02)
A	1	ANSI class 150	190.5(7.50)	152.4(6.00)	130(5.12)	23.9(0.94)	4	19.1(0.75)	71±0.5(2.8±0.02)
A	2	ANSI class 300	209.6(8.25)	168.1(6.62)	130(5.12)	28.5(1.12)	8	22.4(0.88)	71±0.5(2.8±0.02)
A	4	ANSI class 600	209.6(8.25)	168.1(6.62)	130(5.12)	31.8(1.25)	8	22.4(0.88)	71±0.5(2.8±0.02)
P	1	JPI class 150	190(7.48)	152.4(6.00)	130(5.12)	24(0.94)	4	19(0.75)	71±0.5(2.8±0.02)
P	2	JPI class 300	210(8.27)	168.1(6.62)	130(5.12)	28.5(1.12)	8	22(0.87)	71±0.5(2.8±0.02)
P	4	JPI class 600	210(8.27)	168.1(6.62)	130(5.12)	32.0(1.26)	8	22(0.87)	71±0.5(2.8±0.02)
D	H	DIN PN 10/16	200(7.87)	160(6.30)	130(6.30)	20(0.79)	8	18(0.71)	71±0.5(2.8±0.02)
D	K	DIN PN 25/40	200(7.87)	160(6.30)	130(6.30)	24(0.94)	8	18(0.71)	71±0.5(2.8±0.02)

● Extended length (X₂)

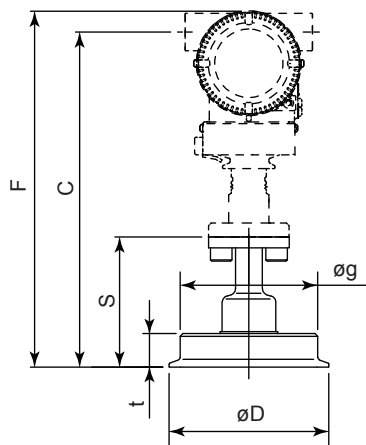
Extended length code	X ₂
2	50±0.5(1.97±0.02)
4	100±0.5(3.94±0.02)
6	150±0.5(5.91±0.02)
8	200±0.8(7.87±0.03)

● C30SW Direct Mount Hygienic Diaphragm Seal (Flush Type)

Unit: mm (approx. inch)



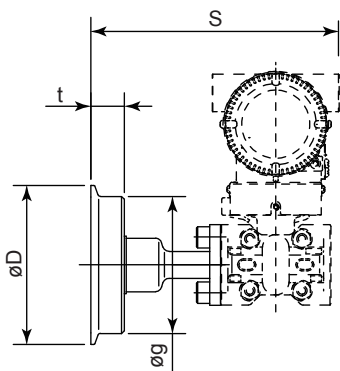
[For EJXC50A, EJAC50E, and EJXC40A]



F90E.ai

Process connection standards code	Industry standard/size	øD	øg	S	t	C	F
3	ISO76.1	91(3.58)	76.7(3.02)	97(3.82)	25(0.98)	250(9.84)	266(10.5)
4	ISO101.6	119(4.69)	102.5(4.04)	97(3.82)	25(0.98)	250(9.84)	266(10.5)

[For EJXC80A and EJAC80E]

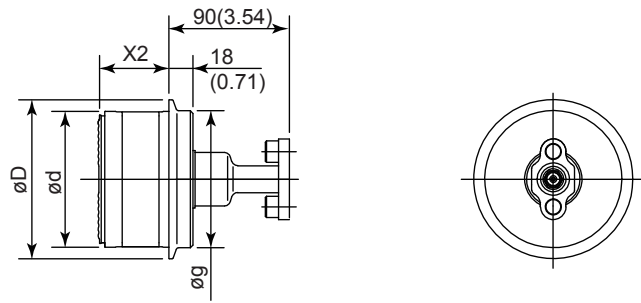


F91E.ai

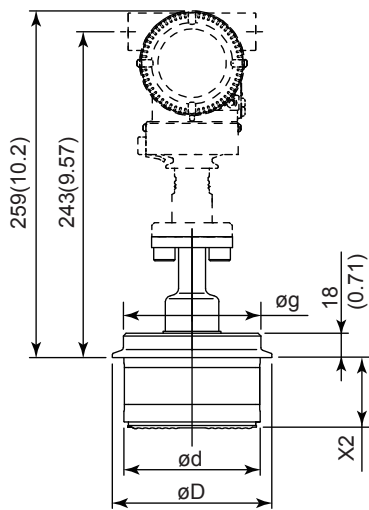
Process Connection Standards Code	Industry Standard/Size	øD	øg	S	t
2	ISO51	64(2.52)	51.6(2.03)	174(6.85)	20(0.79)
3	ISO76.1	91(3.58)	76.7(3.02)	179(7.05)	25(0.98)
4	ISO101.6	119(4.69)	102.5(4.04)	179(7.05)	25(0.98)

● C30SE Direct Mount Hygienic Diaphragm Seal (Extended Type)

Unit: mm (approx. inch)



[For EJXC50A, EJAC50E, and EJXC40A]

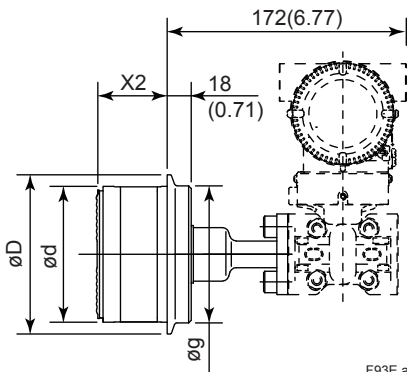


Process connection standards code	Industry standard/size	øD	ød	øg
3	ISO76.1	91(3.58)	72(2.83)	77.4(3.05)
4	ISO101.6	119(4.69)	101.6(4.00)	102.5(4.04)

Extended length code	X2
2	52 (2.05)
4	102 (4.02)

F92E.ai

[For EJXC80A and EJAC80E]



F93E.ai

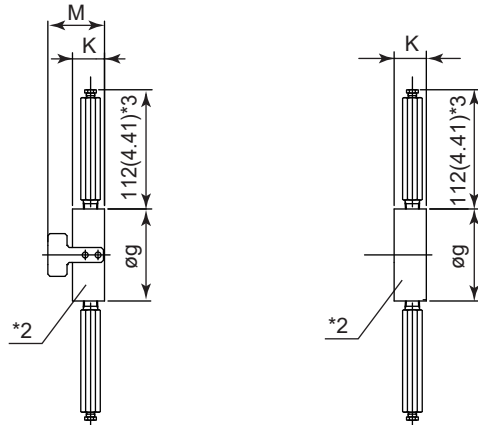
Process Connection Standards Code	Industry Standard/Size	øD	ød	øg
2	ISO51	64(2.52)	50.8(2.00)	51.6(2.03)
3	ISO76.1	91(3.58)	72(2.83)	77.4(3.05)
4	ISO101.6	119(4.69)	101.6(4.00)	102.5(4.04)

● Extended Length (X2)

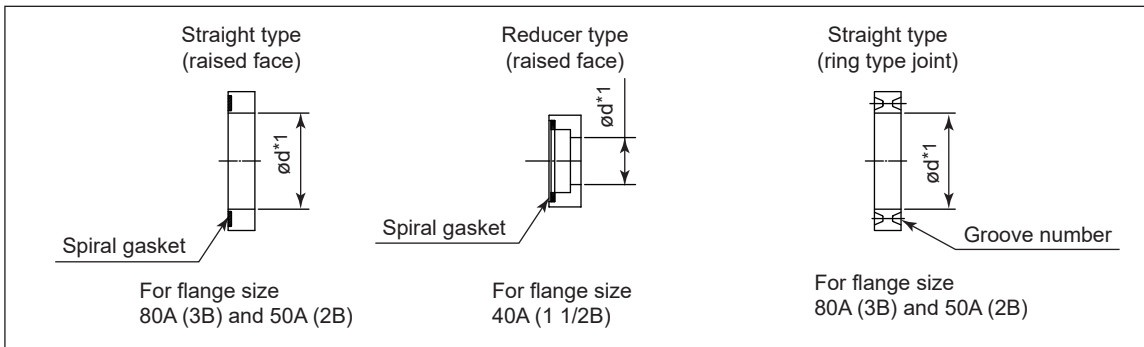
Extended Length Code	X2
2	52(2.05)
4	102(4.02)

● C10FR Flushing Connection Ring

Unit: mm (approx. inch)



Straight type (raised face)
Reducer type (raised face) Straight type (ring type joint)



For flange size
80A (3B) and 50A (2B)

For flange size
40A (1 1/2B)

For flange size
80A (3B) and 50A (2B)

- *1: Indicates inside diameter of gasket contact surface.
- *2: Flushing connection ring.
- *3: When option code K31 or K35 is selected, add 11 mm(0.43 inch).

F94E.ai

Spiral gasket size

80A (3B)	ø100 × ø120 × t4.5 (ø3.94 × ø4.72 × t0.18)
50A (2B)	ø70 × ø90 × t4.5 (ø2.75 × ø3.54 × t0.18)
40A (1 1/2B)	ø60 × ø75 × t4.5 (ø2.36 × ø2.95 × t0.18)

Sealing face	Code		Size				Groove number
	Process Connection size	Flange pressure rating	øg	ød	K	M	
F	3	—	130 (5.12)	90 (3.54)	27 (1.06)	53 (2.09)	—
	2	—	100 (3.94)	61 (2.40)	27 (1.06)	53 (2.09)	—
	8	—	86 (3.39)	44 (1.73)	30 (1.18)	47 (1.85)	—
J	3	2,4	156 (6.14)	90 (3.54)	40 (1.57)	—	R31
		5	147 (5.79)	90 (3.54)	40 (1.57)	—	R31
		6	169 (6.65)	90 (3.54)	40 (1.57)	—	R35
	2	2,4	110 (4.33)	61 (2.40)	40 (1.57)	—	R23
		5,6	125 (4.92)	61 (2.40)	40 (1.57)	—	R24

Applicable Products

Table 13-1. List of Applicable Product, Both side Diaphragm Seal Type (Differential Pressure Transmitter EJXC80A, EJAC80E)

Upper case shows Product model, and lower case shows flange size or clamp size.

	Diaphragm Seal System		Transmitter	Diaphragm seal *1		Flushing connection ring*1*4		
				High-side	Low-side	High-side	Low-side	
Differential Pressure Transmitter	Both side (High and Low) Diaphragm seal*2	Flanged Seal	EJX110A EJA110E	Flush Type	C80FW	C80FW	C10FR	C10FR
					3-inch (80 mm)	3-inch (80 mm)	3-inch (80 mm)	3-inch (80 mm)
					C80FW	C80FW	C10FR	C10FR
					2-inch (50 mm)	2-inch (50 mm)	2-inch (50 mm)	2-inch (50 mm)
				C80FW	C80FW	C10FR*3	C10FR*3	
				1 1/2-inch (40 mm)	1 1/2-inch (40 mm)	1 1/2-inch (40 mm)	1 1/2-inch (40 mm)	
				C81FA		----	----	
				1/2-inch (15 mm)		----	----	
				C81FA		----	----	
				3/4-inch (20 mm)		----	----	
			C81FA		----	----		
			1-inch (25 mm)		----	----		
			C81FD		----	----		
			1/2-inch (15 mm)		----	----		
			C81FD		----	----		
			3/4-inch (20 mm)		----	----		
			C81FD		----	----		
			1-inch (25 mm)		----	----		
			C82FA	C82FA	----	----		
			1/2-inch (15 mm)	1/2-inch (15 mm)	----	----		
		C82FA	C82FA	----	----			
		3/4-inch (20 mm)	3/4-inch (20 mm)	----	----			
		C82FA	C82FA	----	----			
		1-inch (25 mm)	1-inch (25 mm)	----	----			
		C82FD	C82FD	----	----			
		1/2-inch (15 mm)	1/2-inch (15 mm)	----	----			
		C82FD	C82FD	----	----			
		3/4-inch (20 mm)	3/4-inch (20 mm)	----	----			
		C82FD	C82FD	----	----			
		1-inch (25 mm)	1-inch (25 mm)	----	----			
		C80FE	C80FE	----	----			
		4-inch (100 mm)	4-inch (100 mm)	----	----			
		C80FE	C80FE	----	----			
		3-inch (80 mm)	3-inch (80 mm)	----	----			
		C80FE	C80FW	----	C10FR			
		4-inch (100 mm)	3-inch (80 mm)	----	3-inch (80 mm)			
		C80FE	C80FW	----	C10FR			
		3-inch (80 mm)	2-inch (50 mm)	----	2-inch (50 mm)			
		C70SW	C70SW	----	----			
		ISO101.6	ISO101.6	----	----			
C70SW	C70SW	----	----					
ISO76.1	ISO76.1	----	----					
C70SW	C70SW	----	----					
ISO51	ISO51	----	----					
C70SW	C70SW	----	----					
ISO101.6	ISO101.6	----	----					
C70SW	C70SW	----	----					
ISO76.1	ISO76.1	----	----					
C70SW	C70SW	----	----					
ISO101.6	ISO101.6	----	----					
C70SW	C70SW	----	----					
ISO76.1	ISO76.1	----	----					

Table 13-2. List of Applicable Product, Combination (High-side:Direct mounted and Low-side:Remote seal) Diaphragm Seal Type (Differential Pressure Transmitter EJXC80A, EJAC80E)
Upper case shows Product model, and lower case shows flange size or clamp size

	Diaphragm Seal System			Transmitter	Diaphragm seal *1		Flushing connection ring *1*4		
					High-side	Low-side	High-side	Low-side	
Differential Pressure Transmitter	High-side Direct mounted Diaphragm seal	Flanged Seal	Flush Type	EJX110A EJA110E Measurement span (capsule) M, H, V	C20FW	C80FW	C10FR	C10FR	
					3-inch (80 mm)	3-inch (80 mm)	3-inch (80 mm)	3-inch (80 mm)	
					C20FW	C80FW	C10FR	C10FR	
			2-inch (50 mm)		2-inch (50 mm)	2-inch (50 mm)	2-inch (50 mm)		
			C20FW		C80FW	C10FR*3	C10FR*3		
			1 1/2-inch (40 mm)		1 1/2-inch (40 mm)	1 1/2-inch (40 mm)	1 1/2-inch (40 mm)		
		Extended Type	C20FE	C80FE	----	----			
			4-inch (100 mm)	4-inch (100 mm)	----	----			
			C20FE	C80FE	----	----			
			3-inch (80 mm)	3-inch (80 mm)	----	----			
			C20FE	C80FW	----	C10FR			
			4-inch (100 mm)	3-inch (80 mm)	----	3-inch (80 mm)			
	Combination Type	C20FE	C80FW	----	C10FR				
		3-inch (80 mm)	2-inch (50 mm)	----	2-inch (50 mm)				
		Low-side Remote Diaphragm seal*2	Hygienic Seal	Flush Type	EJX110A EJA110E Measurement span (capsule) M, H, V	C30SW	C70SW	----	----
						ISO101.6	ISO101.6	----	----
						C30SW	C70SW	----	----
				ISO76.1		ISO76.1	----	----	
	C30SE			C70SE		----	----		
	ISO101.6			ISO101.6		----	----		
	Extended Type		C30SE	C70SE	----	----			
			ISO76.1	ISO76.1	----	----			
			C30SE	C70SW	----	----			
			ISO101.6	ISO101.6	----	----			
C30SE			C70SW	----	----				
ISO76.1			ISO76.1	----	----				
Combination Type	C30SE	C70SW	----	----					
	3-inch (80 mm)	2-inch (50 mm)	----	----					

Table 13-3. List of Applicable Product, Compensation capillary type Diaphragm Seal Type (Differential Pressure Transmitter EJXC80A, EJAC80E)
Upper case shows Product model, and lower case shows flange size

	Diaphragm Seal System			Transmitter	Diaphragm seal *1		Flushing connection ring *1*4	
					High-side	Low-side	High-side	Low-side
Differential Pressure Transmitter	High-side Direct mounted Diaphragm seal	Flanged Seal	Flush Type	EJX110A EJA110E Measurement span (capsule) M, H, V	C20FW	C80FW	C10FR	C10FR
					3-inch (80 mm)	3-inch (80 mm)	3-inch (80 mm)	3-inch (80 mm)
					C20FW	C80FW	C10FR	C10FR
			Extended Type		2-inch (50 mm)	2-inch (50 mm)	2-inch (50 mm)	2-inch (50 mm)
					C20FW	C80FW	C10FR*3	C10FR*3
					1 1/2-inch (40 mm)	1 1/2-inch (40 mm)	1 1/2-inch (40 mm)	1 1/2-inch (40 mm)
					C20FE	C80FE	----	----
					4-inch (100 mm)	4-inch (100 mm)	----	----
					C20FE	C80FE	----	----
	Low-side Remote Diaphragm seal*2	Flush Type	Hygienic Seal	EJX110A EJA110E Measurement span (capsule) M, H, V	C30SW	C70SW	----	----
					ISO101.6	ISO101.6	----	----
					C30SW	C70SW	----	----
		Extended Type	ISO76.1		ISO76.1	----	----	
			C30SE		C70SE	----	----	
			ISO101.6		ISO101.6	----	----	
			C30SE		C70SW	----	----	
			ISO101.6		ISO101.6	----	----	
			C30SE		C70SW	----	----	
Combination Type	ISO76.1	ISO76.1	----	----				
	C30SE	C70SW	----	----				
	3-inch (80 mm)	2-inch (50 mm)	----	----				

Table 13-4a. List of Applicable Product, Single (High-side or Low-side) Diaphragm Seal Type (Differential Pressure Transmitter EJXC80A, EJAC80E)
Upper case shows Product model, and lower case shows flange size

	Diaphragm Seal System			Transmitter	Diaphragm seal *1		Flushing connection ring *1*4	
					High-side	Low-side	High-side	Low-side
Differential Pressure Transmitter	High-side Diaphragm seal	Flanged Seal	Flush Type	EJX110A EJA110E	C80FW	•	C10FR	----
					3-inch (80 mm)		3-inch (80 mm)	
					C80FW	•	C10FR	----
					2-inch (50 mm)		2-inch (50 mm)	
					C80FW	•	C10FR*3	----
			1.5-inch (40 mm)			1.5-inch (40 mm)		
			C82FA		•	----	----	
			1/2-inch (15 mm)					
			C82FA		•	----	----	
			3/4-inch (20 mm)					
			C82FA		•	----	----	
			1-inch (25 mm)					
			C82FD		•	----	----	
			1/2-inch (15 mm)					
			C82FD		•	----	----	
	3/4-inch (20 mm)							
	C82FD	•	----	----				
	1-inch (25 mm)							
	C80FE	•	----	----				
	4-inch (100 mm)							
	C80FE	•	----	----				
	3-inch (80 mm)							
	Low-side Diaphragm seal	Flanged Seal	Flush Type	Measurement span (capsule) M, H, V	•	C80FW	----	C10FR
						3-inch (80 mm)		3-inch (80 mm)
					•	C80FW	----	C10FR
						2-inch (50 mm)		2-inch (50 mm)
					•	C80FW	----	C10FR*3
					1.5-inch (40 mm)		1.5-inch (40 mm)	
			•		C82FA	----	----	
					1/2-inch (15 mm)			
•			C82FA		----	----		
			3/4-inch (20 mm)					
•			C82FA		----	----		
			1-inch (25 mm)					
•			C82FD		----	----		
			1/2-inch (15 mm)					
•			C82FD		----	----		
	3/4-inch (20 mm)							
•	C82FD	----	----					
	1-inch (25 mm)							
•	C80FE	----	----					
	4-inch (100 mm)							
•	C80FE	----	----					
	3-inch (80 mm)							

•: with process connector (Refer to Diaphragm Seal System Model Code)

Table 13-4b. List of Applicable Product, Single (High-side or Low-side) Diaphragm Seal Type (Differential Pressure Transmitter EJXC80A, EJAC80E)

Upper case shows Product model, and lower case shows flange size or clamp size

	Diaphragm Seal System			Transmitter	Diaphragm seal *1		Flushing connection ring*1*4	
					High-side	Low-side	High-side	Low-side
Differential Pressure Transmitter	High-side Diaphragm seal	Hygienic Seal	Flush Type	EJX110A EJA110E	C70SW	●	----	----
					ISO101.6			
					C70SW			
					ISO76.1			
			C70SW		●	----	----	
			ISO51					
			C70SE					
			ISO101.6					
	C70SE	●	----	----				
	ISO76.1							
	●				C70SW	----	----	
	●				ISO101.6			
	●	C70SW	----	----				
	●	ISO76.1						
	Low-side Diaphragm seal	Hygienic Seal	Flush Type	Measurement span (capsule) M, H, V	●	C70SW	----	----
					●	ISO101.6		
●					C70SW	----	----	
●					ISO76.1			
●			C70SW		----	----		
●			ISO51					
●			C70SE		----	----		
●			ISO101.6					
●	C70SE	----	----					
●	ISO76.1							

●: with process connector (Refer to Diaphragm Seal System Model Code)

Table 13-5. List of Applicable Product, Direct mounted Diaphragm Seal Type (Differential Pressure Transmitter EJXC80A, EJAC80E)

Upper case shows Product model, and lower case shows flange size or clamp size

	Diaphragm Seal System			Transmitter	Diaphragm seal *1		Flushing connection ring*1*4		
					High-side	Low-side	High-side	Low-side	
Differential Pressure Transmitter	High-side Direct mounted Diaphragm seal	Hygienic Seal	Flush Type	EJX110A EJA110E	C20FW	●	C10FR	----	
					3-inch (80 mm)		3-inch (80 mm)		
					C20FW		C10FR		
					2-inch (50 mm)		2-inch (50 mm)		
			C20FW		●	C10FR*3	----		
			1 1/2-inch (40 mm)					1 1/2-inch (40 mm)	
			C20FE					----	----
			4-inch (100 mm)					----	----
		C20FE	●	----	----				
		3-inch (80 mm)							
		C30SW				●	----	----	
		ISO101.6							
		C30SW							
		ISO76.1							
		C30SW	●	----	----				
		ISO51							
C30SE									
ISO101.6									
C30SE	●	----	----						
ISO76.1									
C30SE									
ISO51									

Table 13-6. List of Applicable Product, Diaphragm Seal Type (Gauge Pressure Transmitter EJXC80A, EJAC80E)
 Upper case shows Product model, and lower case shows flange size

	Diaphragm Seal System			Transmitter	Diaphragm seal *1		Flushing connection ring*1*4		
					High-side	Low-side	High-side	Low-side	
Gauge Pressure Transmitter	High-side Diaphragm seal (Low-side Open to atmosphere)	Flanged Seal	Flush Type	EJX430A EJA430E Measurement span (capsule) A, B	C80FW	----	C10FR	----	
					3-inch (80 mm)		3-inch (80 mm)		
					C80FW		C10FR		
					2-inch (50 mm)		2-inch (50 mm)		
					C80FW		C10FR*3		
					1.5-inch (40 mm)		1.5-inch (40 mm)		
			Inner Diaphragm Type (Standard Type)		C82FA	----	----	----	
					1/2-inch (15 mm)	----	----	----	
					C82FA	----	----	----	
					3/4-inch (20 mm)	----	----	----	
					C82FA	----	----	----	
					1-inch (25 mm)	----	----	----	
		C82FD		----	----	----			
		1/2-inch (15 mm)		----	----	----			
		C82FD		----	----	----			
		3/4-inch (20 mm)		----	----	----			
		Extended Type	C82FD	----	----	----			
			1-inch (25 mm)	----	----	----			
			C80FE	----	----	----			
			4-inch (100 mm)	----	----	----			
		Hygienic Seal	Flush Type	EJX430A EJA430E Measurement span (capsule) A	Extended Type	C80FE	----	----	----
						3-inch (80 mm)	----	----	----
						C70SW	----	----	----
						ISO101.6	----	----	----
C70SW	----					----	----		
ISO76.1	----					----	----		
Extended Type	C70SW		----		----	----			
	ISO51		----		----	----			
	C70SE		----		----	----			
	ISO101.6		----		----	----			
	C70SE		----		----	----			
	ISO76.1		----		----	----			

Table 13-7. List of Applicable Product, Diaphragm Seal Type (Gauge Pressure Transmitter EJXC81A, EJAC81E)
Upper case shows Product model, and lower case shows flange size

	Diaphragm Seal System			Transmitter	Diaphragm seal *1		Flushing connection ring *1*4	
					High-side	Low-side	High-side	Low-side
Absolute Pressure Transmitter	High-side Diaphragm seal (Low-side Open to atmosphere)	Flanged Seal	Flush Type	EJX310A EJA310E Measurement span (capsule) M, A, B	C80FW	----	C10FR	----
					3-inch (80 mm)		3-inch (80 mm)	
					C80FW	----	C10FR	----
					2-inch (50 mm)		2-inch (50 mm)	
					C80FW	----	C10FR*3	----
					1.5-inch (40 mm)		1.5-inch (40 mm)	
			C82FA		----	----	----	
			1/2-inch (15 mm)					
			C82FA		----	----	----	
			3/4-inch (20 mm)					
			C82FA		----	----	----	
			1-inch (25 mm)					
			C82FD		----	----	----	
			1/2-inch (15 mm)					
			C82FD		----	----	----	
			3/4-inch (20 mm)					
			C82FD		----	----	----	
			1-inch (25 mm)					
C80FE	----	----	----					
4-inch (100 mm)								
C80FE	----	----	----					
3-inch (80 mm)								
		Extended Type						

Table 13-8. List of Applicable Product, Direct Mount Diaphragm Seal Type (Gauge Pressure Transmitter EJXC50A, EJAC50E)

Upper case shows Product model, and lower case shows flange size.

Diaphragm Seal System			Transmitter	Diaphragm seal *1		Flushing connection ring *1*4					
				High-side	Low-side	High-side	Low-side				
Direct mounted Diaphragm seal		Flanged Seal	EJX530A EJA530E Measurement span (capsule) A, B, C	C20FW	----	C10FR	----				
				3-inch (80 mm)		3-inch (80 mm)					
				C20FW	----	C10FR	----				
				2-inch (50 mm)		2-inch (50 mm)					
				C20FW	----	C10FR*3	----				
				1 1/2-inch (40 mm)		1 1/2-inch (40 mm)					
				C20FE	----	----	----				
				4-inch (100 mm)							
				C20FE	----	----	----				
				3-inch (80 mm)							
					Hygienic Seal	Flush Type	EJX530A EJA530E Measurement span (capsule) A, B	C30SW	----	----	----
				ISO101.6							
			C30SW	----							
			ISO76.1	Extended Type		C30SE		----	----	----	
			ISO101.6								
			C30SE			----					
			ISO76.1								

Table 13-9. List of Applicable Product, Direct Mount Diaphragm Seal Type (Digital Remote Sensor EJXC40A)
 Upper case shows Product model, and lower case shows flange size. For other combinations, ask us for availability.

Diaphragm Seal System			Transmitter	Diaphragm seal *1		Flushing connection ring *1*4	
				High-side	Low-side	High-side	Low-side
Both side (Master and Slave) Direct mount seal *2	Flanged Seal	Flush Type	EJXC40A	C20FW	C20FW	C10FR	C10FR
				80A (3B)	80A (3B)	80A (3B)	80A (3B)
				C20FW	C20FW	C10FR	C10FR
				50A (2B)	50A (2B)	50A (2B)	50A (2B)
				C20FW	C20FW	C10FR*3	C10FR*3
		40A (1.5B)		40A (1.5B)	40A (1.5B)	40A (1.5B)	
		Extended Type		C20FE	C20FE	----	----
				100A (4B)	100A (4B)	----	----
				C20FE	C20FE	----	----
				80A (3B)	80A (3B)	----	----
				C20FE	C20FW	----	C10FR
		Combination Type		100A (4B)	80A (3B)	----	80A (3B)
				C20FE	C20FW	----	C10FR
				80A (3B)	50A (2B)	----	50A (2B)
				C20FW	Screw Mount	C10FR	----
				80A (3B)	Screw Mount	80A (3B)	----
				C20FW	Screw Mount	C10FR	----
				50A (2B)	Screw Mount	50A (2B)	----
				C20FW	Screw Mount	C10FR*3	----
				40A (1.5B)	Screw Mount	40A (1.5B)	----
	C20FE			Screw Mount	----	----	
	100A (4B)			Screw Mount	----	----	
	C20FE			Screw Mount	----	----	
	80A (3B)			Screw Mount	----	----	
	Screw Mount			C20FW	----	C10FR	
				80A (3B)	----	80A (3B)	
	Hygienic Seal	Flush Type		C30SW	C30SW	----	----
				ISO101.6	ISO101.6	----	----
				C30SW	C30SW	----	----
				ISO76.1	ISO76.1	----	----
				C30SE	C30SE	----	----
		Extended Type		ISO101.6	ISO101.6	----	----
				C30SE	C30SE	----	----
				ISO76.1	ISO76.1	----	----
				C30SE	C30SE	----	----
				ISO101.6	ISO101.6	----	----
		Combination Type		C30SE	C30SE	----	----
				ISO76.1	ISO76.1	----	----
				C30SW	Screw Mount	----	----
				ISO101.6	Screw Mount	----	----
C30SW			Screw Mount	----	----		
ISO76.1	Screw Mount		----	----			
C30SE	Screw Mount		----	----			
ISO101.6	Screw Mount		----	----			
C30SE	Screw Mount		----	----			
ISO76.1	Screw Mount		----	----			
Screw Mount	C30SW		----	----			
	ISO101.6		----	----			
Screw Mount	C30SW		----	----			
	ISO76.1		----	----			
Screw Mount	C30SE		----	----			
	ISO101.6	----	----				
Screw Mount	C30SE	----	----				
	ISO76.1	----	----				

Notes for Combination

*1 The suffix codes which is listed in table 13-10 should be identical between Flush Type (C80FW, C20FW) and Flushing Connection Ring (C10FR).

Table 13-10. Notes for Combination of C80FW, C20FW and C10FR

Items which should be identical between C80FW, C20FW and C10FR	Process connection size
	Flange standards
	Flange pressure rating
	Sealing face
	Gasket contact surface

*2 The suffix and optional codes which is listed in table 13-11 through 13-17 should be identical between master and slave transmitter.

Table 13-11. Remote mount flanged diaphragm seal

Flush type (C80FW) Inner Diaphragm Type (C82FA, C82FD) Extended type (C80FE) Combination type (C80FE+C80FW)	Seal fill fluid
	Transmitter connection type
	Capillary length
	Capillary inside diameter
	Diaphragm material
	Diaphragm diameter
	Flange standards
Flange pressure rating	

Table 13-12. Direct mount flanged diaphragm seal

Flush type (C20FW) Extended type (C20FE) Combination type (C20FE+C20FW)	Seal fill fluid
	Transmitter connection type
	Capillary inside diameter
	Diaphragm material
	Diaphragm diameter
	Flange standards
	Flange pressure rating

Table 13-13. Direct mount Hygienic diaphragm seal

Flush type (C30SW) Extended type (C30SE) Combination type (C30SE+C30SW)	Seal fill fluid
	Transmitter connection type
	Capillary inside diameter
	Diaphragm material
	Diaphragm diameter
	Process connection size
	Sealing Face Option

Table 13-14. Direct mount (high side) and remote mount (low side) combination, or with compensation capillary

Flange mounted type (C80FW, C80FE, C20FW, C20FE)	Seal fill fluid
	Process Connection size
	Sealing Face
	Gasket Contact Surface
	Diaphragm Material
	Diaphragm Option
	Flange standards
	Flange pressure rating
	Flange Material

*3: When specifying flange size 40A (1.5B), also specify the flushing connection ring size 40A (1.5B). Structure is reducer type.

*4: Specify only when a flushing connection ring is specified

Table 13-15. Direct mount (high side) and remote mount (low side) combination, hygienic type

Hygienic type (C70SW, C70SE, C30SW, C30SE)	Seal fill fluid
	Process Connection Standards
	Diaphragm Material
	Sealing Face Option

Table 13-16. Optional code

Flange mounted type (C80FW, C80FE, C20FW, C20FE)	Oil-prohibited use
	Oil-prohibited use with dehydrating treatment
Inner Diaphragm Type (C81FA, C81FD, C82FA, C82FD)	Material certificate
	Teflon film (C80FW, C20FW)
Hygienic type (C30SW, C30SE)	Oil-prohibited use
	Material certificate
	Certificate: Electro polishing
	Certificate: Buffung
	Certificate: Buffung and Electro polishing

Table 13-17. Flushing connection ring

C10FR	Usage
	Process connection size
	Wetted material
	Gasket usage
	Gasket size
	Gasket material

< Ordering Information >

1. Model, suffix codes, and option codes
2. Calibration range and units:
 - 1) Calibration range can be specified with range value specifications up to 5 digits (excluding any decimal point) for low or high range limits within the range of -32000 to 32000. When reverse range is designated, specify LRV as greater than URV. When square root output mode is specified, LRV must be "0 (zero)".
 - 2) Specify only one unit from the table, 'Factory setting.'
3. Select linear or square root for output mode and display mode.
 Note: If not specified, the instrument is shipped set for linear mode.
4. Display scale and units (for transmitters equipped with the integral indicator only)
 Specify either 0 to 100 % or 'Range and Unit' for engineering units scale:
 Scale range can be specified with range limit specifications up to 5 digits (excluding any decimal point) for low or high range limits within the range of -32000 to 32000. Unit display consists of 6-digit, therefore, if the specified scaling unit excluding '/' is longer than 6-characters, the first 6 characters will be displayed on the unit display.
5. Tag Number (if required)
 Specified characters (up to 22 characters) are engraved on the stainless steel tag plate fixed on the housing.
6. SOFTWARE TAG
 Specified characters (up to 32 characters) are set as "Tag" (the first 8 characters) and "Long tag" (32 characters) in the amplifier memory. Use alphanumeric capital letters.
 When the "SOFTWARE TAG" is not specified, specified "TAG NO" is set as "Tag" (the first 8 characters) and "Long tag" *1 (22 characters) in the amplifier memory.
7. Other factory configurations (if required)
 Specifying option code CA will allow further configuration at factory. Following are configurable items and setting range.
 [/CA]
 - 1) Descriptor (up to 16 characters)
 - 2) Message (up to 30 characters)
 - 3) Software damping (0.00 to 100.00 sec)

< Factory Setting >

Tag number	As specified in order
Software damping *1	'2.00 s' or as specified in order
Calibration range lower range value	As specified in order
Calibration range upper range value	As specified in order
Calibration range units	Selected from mmH ₂ O, mmH ₂ O (68°F), mmAq* ² , mmWG* ² , mmHg, Pa, hPa* ² , kPa, MPa, mbar, bar, gf/cm ² , kgf/cm ² , inH ₂ O, inH ₂ O (68°F), inHg, ftH ₂ O, ftH ₂ O (68°F) or psi. (Only one unit can be specified.)
Display setting	Designated differential pressure value specified in order. (% or user scaled value.)

- *1: To specify these items at factory, option code /CA is required.
- *2: Not available for HART protocol type.

< Material Cross Reference >

ASTM	JIS
grade 316	SUS316
grade 316L	SUS316L
grade 304	SUS304